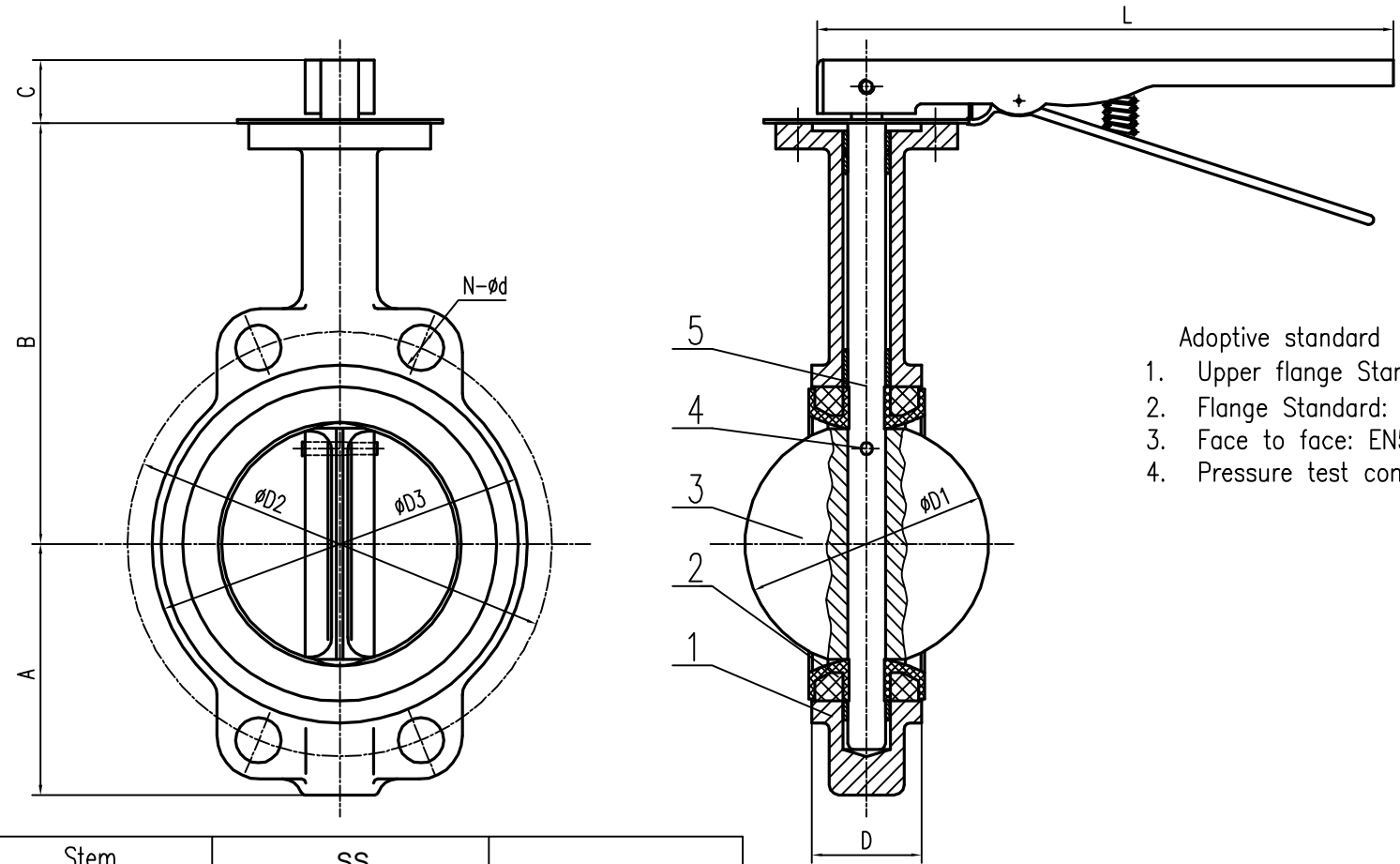


SIZE	A	B	ØD1	ØD3	ØD2	N-Ød	D	C	L
DN40	70	110	42.3	86	110	4-19	32	29	245
DN50	80	161	52.6	100	125	4-19	43	29	245
DN65	89	175	64.3	120	145	4-19	46	29	245
DN80	95	181	78.8	127	160	8-19	46	29	245
DN100	114	200	104	156	180	8-19	52	29	276
DN125	127	213	123.3	190	210	8-19	56	29	276
DN150	139	226	155.7	212	240	8-23	56	29	276
DN200	175	260	202.4	268	295	12-23	60	35	383
DN250	203	292	250.4	325	355	12-27	68	35	383
DN300	242	337	301.5	376	410	12-27	77	41	542



- Adoptive standard
1. Upper flange Standard: ISO5211
 2. Flange Standard: DIN PN16
 3. Face to face: EN558-1,20
 4. Pressure test conform to EN12266-1

5	Stem	SS	
4	Taper pin	SS	
3	Disc	GGG40	
2	Seat	EPDM	
1	Body	GGG40	
Item	Part name	Material	Remark

Design		DN40--DN300	Wafer type butterfly valve
Drawing			
Verify			
Approue		Total 1 Page	No 1 Page