

SPECIAL FEATURES FTA600

- For natural ventilation, smoke and heat exhausting systems and ferralux® NRWG (EN12101-2)
- Type:
 - R – with role: The folding arm opens via role for air inlets at 90°
 - DF – with knuckle-joint for opening/closing of side hung inward opening windows at 90°
 - GF – with slide rail for opening/closing of side hung outward opening windows at 90°
- Opening time of 45 s for 90° opening angle
- Programmable voltage free contact
- Robust corrosion-resistant design
- Easy installation due to holes in the end caps of housing
- Programmable parameters of Internal Intelligent Control Electronics S12
 - Synchronised multi-operation and sequence control without add. devices
 - Electronic soft-start, soft-close and soft-stop at end of stroke control
 - Stroke, force, speed
 - Rebate control
- Integrated plug solution
- Suitable for M-COM for automatic synchronised run of multi drive systems and automatic sequence control with locking drives

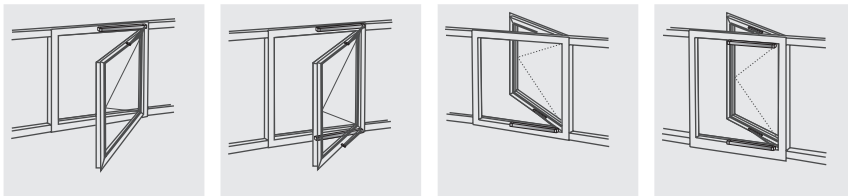
For this product series, a Type III Environmental Product Declaration (EPD) was issued according to ISO 14025 and EN 15804.

The LCA results of the different product types are listed at the end of this product catalogue.

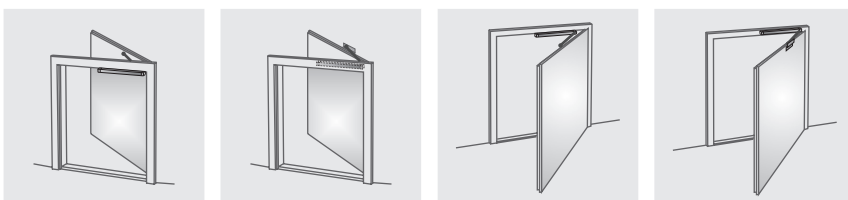
The EPD documents can be viewed or downloaded from our homepage www.aumueller-gmbh.de.

FACADE

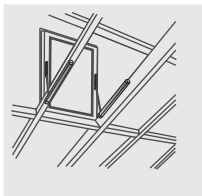
Side-hung (FTA600 DF/GF)

**INLET AIR**

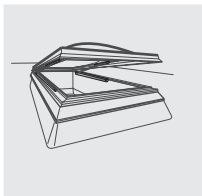
Floor-to-ceiling windows (FTA600 R)

**ROOF**

Bottom-hung (FTA600 GF)



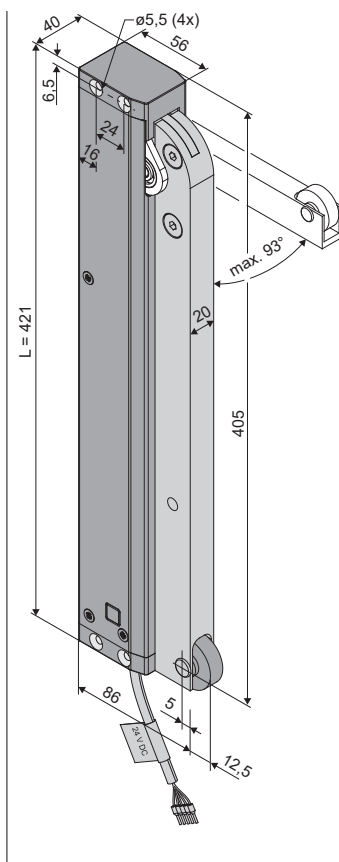
Sky-light (FTA600 GF)



- Application: natural ventilation, RWA
- Mainly for supply air openings
- Internal Intelligent Control Electronics S12
- Programmable contact for opener
- Unified plug solution for all AUMÜLLER chain drives and AUMÜLLER folding arm drives

Options

- Programmable special functions
- M-COM for automatic synchronised run of multi drive systems and automatic sequence control with locking drives (S3 / S12)
- Various customised programmings on request



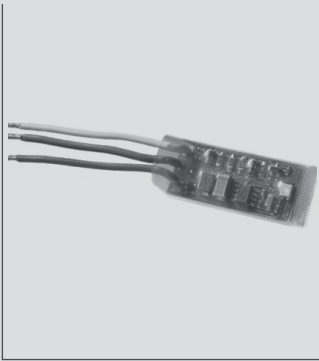

TECHNICAL DATA

U_N	Rated voltage	24V DC (19 V ... 28 V)
I_N	Rated current	1,0 A
I_A	Cut-off current	1,4 A
P_N	Rated power	24 W
DC	Duty cycle	5 cycles (ED 30 % - ON: 3 min./OFF: 7 min.)
	Protection rating	IP 32
	Ambient temperature range	-5 °C ... +60 °C
M_A	Force (Torque) OPEN (max.)	600 N (~ 215 Nm)
M_Z	Force (Torque) CLOSE (max.)	600 N (~ 215 Nm)
F_H	Pullout force	3000 N (fastening depended)
	Lever arm	aluminium (RAL9006)
	Connecting cable	non-halogen, grey 5 x 0,5 mm ² , ~ 3 m
t	Running time (0° – 90°) (constant at 2/3 load)	45 s (2,0°/s) 45 s (2,0°/s)
s	Stroke length (lever)	0 – 93 DEG (± 5%)
L	Length	421 mm
	Potential free contact	max. 24VDC / 0,5A programmable
	Sound pressure level	≤ 70 dB (A)

ORDER DATA						
s [DEG]	L [mm]	Version	Finish	PU/pcs.	Part.-No.	
0° – 93°	421	FTA600 R S12 24V	E6/C-0	1	524144	
Accessories				PU/pcs.	Part.-No.	
K88 Casement bracket FTA600 R				1	524156	

OPTIONS			
Special model	PU/pcs.	Part.-No.	
Drive housing painted/powder coated in other RAL colours			
Lump sum for coating		516030	
Specify at order stage:	1 – 20	516004	
	21 – 50	516004	
	51 – 100	516004	
	from 101	516004	
Microprocessor programming S12			
Electronic stroke reduction 24V S12	1	524190	
Programming drives 24V / 230V S12		524180	
Optional accessories		PU/pcs.	Part.-No.
Configuration module for synchronised multi-drive systems		1	524177

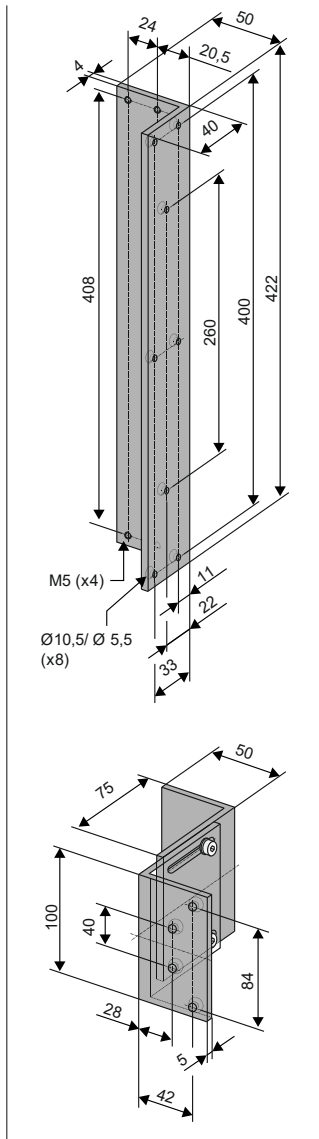
OPTIONAL ACCESSORIES

Main control unit and plug solution			
<p>M-COM</p> 	<p>Application Configuration module for automatic configuration and surveillance of max. 4 opening drives / 2 locking drives version S12 / S3 in synchronised multi-drive systems</p> <p>Rated voltage: 24V DC (19V ... 28V)</p> <p>Current consumption: <12 mA</p> <p>Drive type: S12</p> <p>Protection rating IP30 rubber envelope</p>	<p>Part.-No. 524177</p> <p>Ambient temperature range 0 °C ... + 70 °C</p> <p>Dimensions 45 x 17 x 6 mm</p> <p>Connecting wires 3 wires 0,5 mm² x 50 mm</p> <p>Feature/Equipment Printed circuit board with components and connection wires to be installed in connection box to be supplied on site</p>	
<p>Aumüller-Click plug solution</p> 	<p>Aumüller-Click plug solution: Unified plug solution for all AUMÜLLER chain drives and AUMÜLLER folding arm drives.</p> <p>Rated voltage: 24V DC (19V ... 28V)</p> <p>Connecting cable: non-halogen, grey 5 x 0,5 mm²</p> <p>Terminal: to 1,5 mm²</p>	<p>Feature/Equipment</p> <ul style="list-style-type: none"> • Flexible cable length • Connect multiple drives in series connection • Torsion-plug • Locking hooks prevent withdrawal of the plug under tensile load • Strain relief according DIN EN 60335-1 by screwing the housing halves 	
VARIANTS:			
3 m cable length - 24 V DC		Part.-No. 501251	
5 m cable length - 24 V DC		Part.-No. 501252	
10 m cable length - 24 V DC		Part.-No. 501253	

OPTIONAL ACCESSORIES

Casement bracket

K88



Application

Surface mounting on the **side closing edge** of frame profiles of inward opening floor-to-ceiling windows as air inlets. Angle bracket **422 mm** for mounting of FTA600-R on the frame profile. Two angle brackets 100 mm for mounting on the floor-to-ceiling windows as sliding guidance of the carrier role, adjustable for compensation of the overlap.

Part.-No. 524156

Material/Finish
aluminium

Feature/Equipment

1x angle 50x40x422

(t = 4) mm

2x angles 50x75x100

(t = 5) mm

fixing screws and nuts

Load

max. 600 N

Special model	PU/pcs.	Part.-No.		
Frame brackets painted / powder coated in other RAL colours				
Lump sum for coating		516030		
Specify at order stage:	1 – 20	516031		
	21 – 50	516031		
	51 – 100	516031		
	from 101	516031		