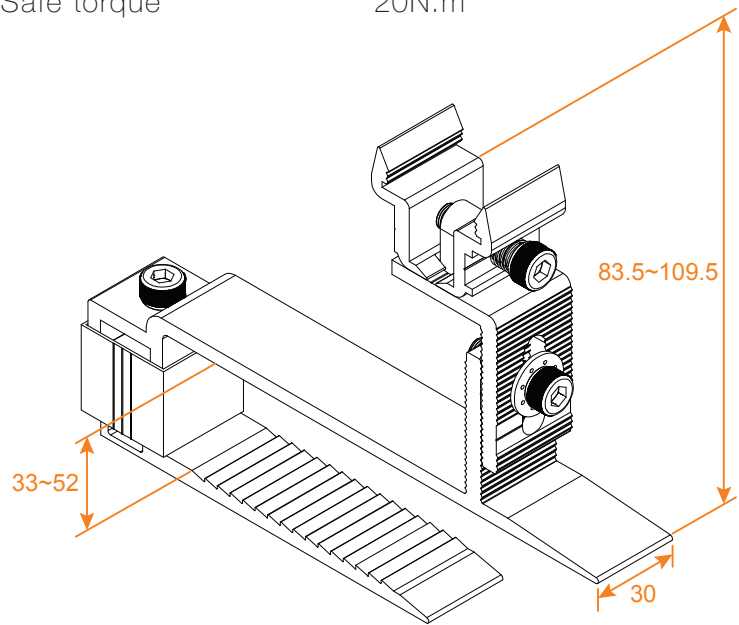


PRODUCT LINE

Item	Product Name
CK-FTS-385-R519-1-30	CHIKO Tulip hook

TECHNICAL DATA

Main Material	AL 6005-T5
Tighten torque	15N.m
Safe torque	20N.m



TULIP+CROWN

CHIKO Tulip hook is a damage free solution for solar installation over tile roof. The creative designs bring unprecedented flexibility and convenience.

ADVANTAGES

- Tile batten damage eliminated
- Easily top fastening
- Bottom carrying of rail achieved easily by side fastening
- Easily achieved Landscape & portrait layout

WARRANTY



COMPONENT LIST

MATERIAL	QTY
#385 hook	01
#386 adapter	01
SUS304 bolt M8*20	01
SUS304 Spring washer M8	01
SUS304 Antiskid washer M8	01

ORDERING SPECIFICS

Standard Packaging	30PCS/CTN
Dimensions	50x20x19CM
Weight	10.2KGS