

## Grounding Lug

CHIKO grounding lug is designed for fixing grounding cable going through smoothly between each rails.

### ADVANTAGES

- Easy installation
- High class anodized
- Tilt- in nut

### UL LISTED



**Intertek**  
5010190

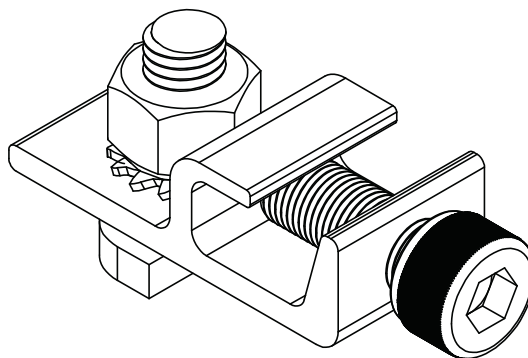
Conforms to UL STD NO.2703

### PRODUCT LINE

Item	Product Name
CK-592R43-1-20	CHIKO Grounding Lug For #43/518 Rail

### TECHNICAL DATA

Main Material	AL 6005-T5
Tighten torque	15N.m
Safe torque	20N.m



### COMPONENT LIST

MATERIAL	QTY
Grounding Lug	01
SUS304 Inner Hex Bolts M8*20	01
SUS304 T4 Bolts M8*25	01
SUS304 Hex Nut M8	01
SUS304 Spring Washer	01
SUS304 Star Washer M8	01
SUS304 Square Nut M8	01

### ORDERING SPECIFICS

Standard Packaging	140PCS/BOX 560PCS/CTN
Dimensions	50*38*20CM
Weight	29kg