



## Hollow L Foot 120mm

CHIKO L Feet have been widely used on universal trapezoidal metal sheet roof. It can fix to the roof rafter directly. Also it can be applied with hanger bolts and other roof clamp CHIKO designed.

## ADVANTAGES

- Material saved almost 30%, Lower cost
- Lighter for roof loading
- Hollowing Holes with better wind flowing
- Al6005-T5, High class anodized
- Waterproof rubber intergrated.

## WARRANTY

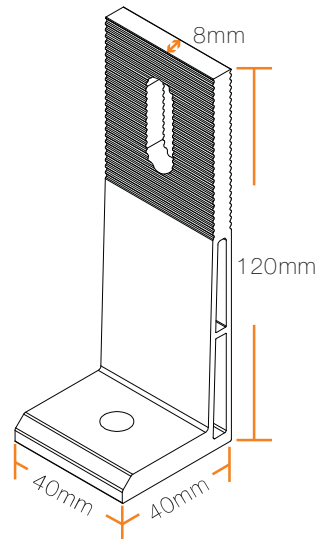


## PRODUCT LINE

Item	Product Name
CK-FTS-164R43-1	Chiko Hollow L Foot 120mm Height

## TECHNICAL DATA

Main Material	SUS304/AL6005-T5
Uplift P	N*Fv (N=1)
Wind Velocity	Up to 60 M/S



## COMPONENT LIST

MATERIAL	QTY
AL L feet #164	01
SUS304 T4 Bolt M8*30mm	01
SUS304 Flange Nut M8	01
SUS410 self-tapping screw 6.3*63/100mm	01
EPDM Foam Rubber	01

## ORDERING SPECIFICS

Standard Packaging	50PCS/BOX 200PCS/CTN
Dimensions	50X20X38CM
Weight	30KGS