



PRODUCT LINE

Item	Product Name
CK-FTS-167RT2	Chiko Al Roof Hook #167

TECHNICAL DATA

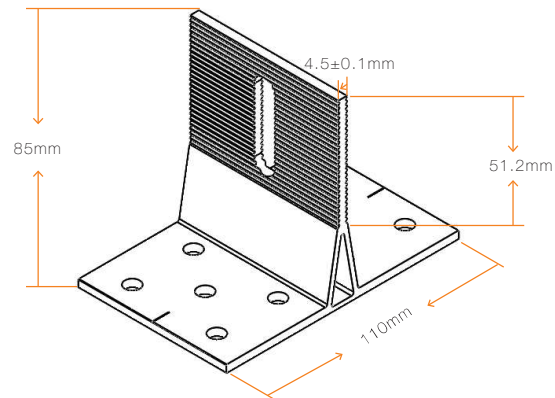
Main Material	AL 6005-T5
Uplift P	N*Fv (N=3)
Wind Velocity	Up to 60 M/S
Snow Load	1.4 KN/m ²
Hook Spacing	Up to 2000mm
Installation Site	Asphalt Shingles

RAD MOUNT

CHIKO RAD MOUNT was integrated with L Foot and Flash, which flexible to mount on both Rafter & Decking . Simple but RADICAL design specially for Asphalt Shingles Roof. Easy and Faster Fastening loved by installers.

ADVANTAGES

- Optional Holes provided for Rafter & Decking
- Flexible moving on orientations Vertical & Horizontal
- 100% water-proof with Butyl pad



COMPONENT LIST

MATERIAL	QTY
#167 Hook	01
SUS304 T2 Bolt M8*30	01
SUS304 Flange nut M8	01
Wooden Screw M6.3*65	02
Butyl pad	01

WARRANTY



ORDERING SPECIFICS

Standard Packaging	50PCS/CTN
Dimensions	50x20x38CM
Weight	10KGS