



## Full Coverage Ballast I-2

Chiko ballast I-2 system, which is designed for 1 panel landscape. It provides an effective solution for residential & commercial flat roof mount. The system is designed for easy and quick fixing by only 1 tool with small number of components. High flexibility lead to high matching to various configuration of solar panels.

### ADVANTAGES

- Easy installation
- Cost-saving
- Light weight
- Highclass anodized
- Pre-assembled

### UL LISTED

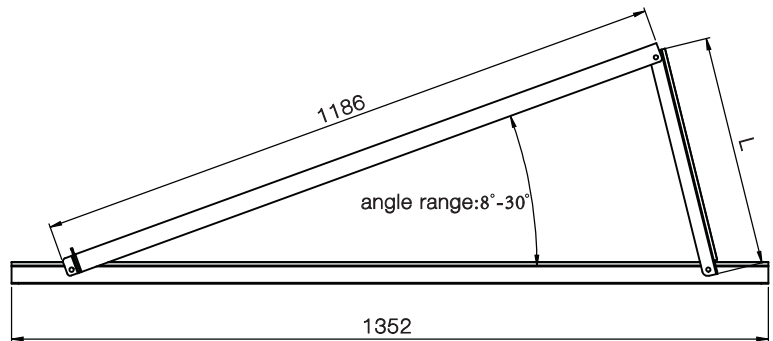


### PRODUCT LINE

Item	Product Name
CK-BL-111-1186-8	CHIKO Ballast Console I-2 8 Degree
CK-BL-111-1186-15	CHIKO Ballast Console I-2 15 Degree
CK-BL-111-1186-20	CHIKO Ballast Console I-2 20 Degree
CK-BL-111-1186-25	CHIKO Ballast Console I-2 25 Degree
CK-BL-111-1186-30	CHIKO Ballast Console I-2 30 Degree

### TECHNICAL DATA

Main Material	AL 6005-T5
Wind Velocity	Up to 50 M/S
Module Orientation	Landscape



Angle=8/15/20/25/30°

L=184/327/429/530/630mm

### COMPONENT LIST

MATERIAL	QTY
Base	01
Support	01
Beam	01
rivet $\Phi 6.0 \times 12$	04
SUS304 Bolt M6*75 Fastener Kit	01

### ORDERING SPECIFICS

Standard Packaging	480 sets/pallet
Dimensions	120x108x180 cm
Weight	700 kg