



Adjustable Mid Clamp

CHIKO Mid Clamp is designed base on 516/517/518/519 Rail to fix between two module, 30mm to 50mm thickness module are available. This mid clamp is only available for portrait module.

ADVANTAGES

- Easy installation
- High class anodized
- Tilt- in nut

WARRANTY

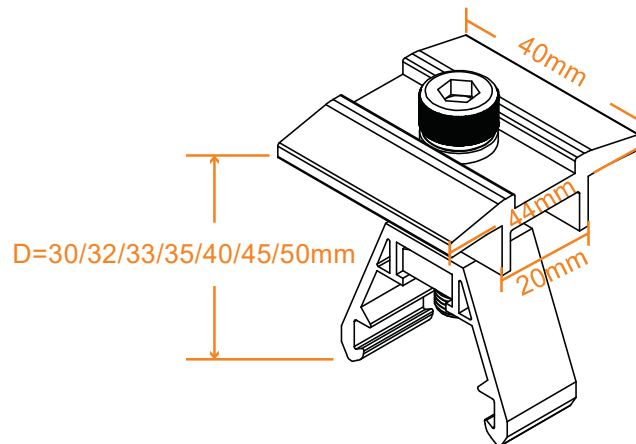


PRODUCT LINE

Item	Product Name
CK-154R4F-30/32-40	CHIKO Mid Clamp 30/32mm
CK-154R4F-(33-45)-40	CHIKO Mid Clamp 33-45mm
CK-154R4F-50-40	CHIKO Mid Clamp 50mm

TECHNICAL DATA

Main Material	AL 6005-T5
Tighten torque	15N.m
Safe torque	20N.m



COMPONENT LIST

MATERIAL	QTY
Mid Clamp	01
Alu 058 Nut	01
SUS304 Bolt M8*35	01
SUS304 Spring Washer M8	01
SUS304 Hex Nut M8	01

ORDERING SPECIFICS

Standard Packaging	80PCS/BOX 320PCS/CTN
Dimensions	50*38*20CM
Weight	27.3/28/28.5/29.1kg