



## Adjustable End Clamp

CHIKO Adjustable End Clamp is designed base on 516/517/518/519 rail to fix module on the end of rail, 30mm to 45mm thickness module are available.

## ADVANTAGES

- Easy installation
- High class anodized
- Clamp nut

## WARRANTY

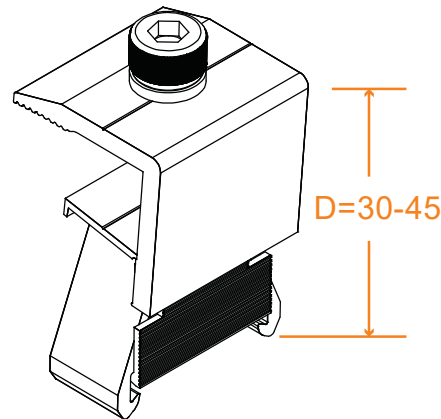


## PRODUCT LINE

Item	Product Name
CK-730R4-S(30-45)-35	CHIKO Adjustable End Clamp With Spring 30-45mm For 516/517/518/519 Rail

## TECHNICAL DATA

Main Material	AL 6005-T5
Tighten torque	15N.m
Safe torque	20N.m



## COMPONENT LIST

MATERIAL	QTY
End Clamp Part I	01
Alu Clamp Part II	01
Alu 058 Nut	01
Spring	01
SUS304 Bolt M8*35	01
SUS304 Spring Washer M8	01
SUS304 Hex Nut M8	01

## ORDERING SPECIFICS

Standard Packaging	80PCS/BOX 320PCS/CTN
Dimensions	50*38*20CM
Weight	30.5kg