



Hollow L Foot 85mm

CHIKO L Feet have been widely used on universal trapezoidal metal sheet roof. It can fix to the roof rafter directly. Also it can be applied with hanger bolts and other roof clamp CHIKO designed.

ADVANTAGES

- Material saved almost 30%, Lower cost
- Lighter for roof loading
- Hollowing Holes with better wind flowing
- Al6005-T5, High class anodized
- Waterproof rubber intergrated.

WARRANTY

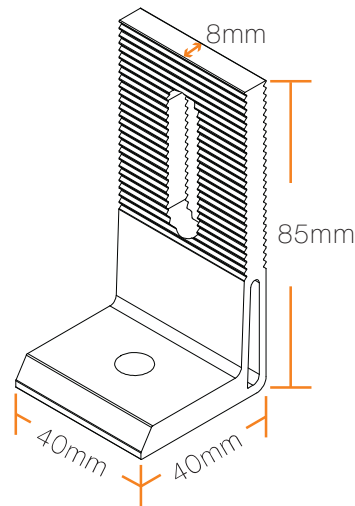


PRODUCT LINE

| | |
|-----------------|---------------------------------|
| Item | Product Name |
| CK-FTS-202R43-1 | Chiko Hollow L Foot 85mm Height |

TECHNICAL DATA

| | |
|---------------|------------------|
| Main Material | SUS304/AL6005-T5 |
| Uplift P | N*Fv (N=1) |
| Wind Velocity | Up to 60 M/S |



COMPONENT LIST

| MATERIAL | QTY |
|--|-----|
| AL L feet #202 | 01 |
| SUS304 T4 Bolt M8*30mm | 01 |
| SUS304 Flange Nut M8 | 01 |
| SUS410 self-tapping screw 6.3*63/100mm | 01 |
| EPDM Foam Rubber | 01 |

ORDERING SPECIFICS

| | |
|--------------------|----------------------|
| Standard Packaging | 50PCS/BOX 200PCS/CTN |
| Dimensions | 50X20X38CM |
| Weight | 25KGS |