

## #518 RAIL

CHIKO 518R aluminum rail is designed for roof mounting system, it could be applied on all roof mount systems. A variety of lengths can help to reduce unnecessary cut.

## ADVANTAGES

- Easy installation
- High class anodized
- Universal on roof mount system

## WARRANTY



## PRODUCT LINE

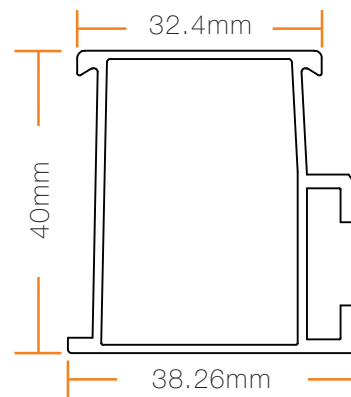
Item	Product Name
CK-FT-R518B1-2100	CHIKO 518 Rail 2100mm
CK-FT-R518B1-3200	CHIKO 518 Rail 3200mm
CK-FT-R518B1-4200	CHIKO 518 Rail 4200mm
CK-FT-R518B1-4350	CHIKO 518 Rail 4350mm

## TECHNICAL DATA

Main Material	AL 6005-T5
Wind Velocity	Up to 60 M/S

$I_x=34466.83 \text{ mm}^4$

$I_y=49849.13 \text{ mm}^4$



## COMPONENT LIST

MATERIAL	QTY
Aluminium Rail	01

## ORDERING SPECIFICS

Standard Packaging	8PCS/PKG
Dimensions	2100/3200/4200/4350mm
Weight	9.6/14.6/19.2/19.85kg