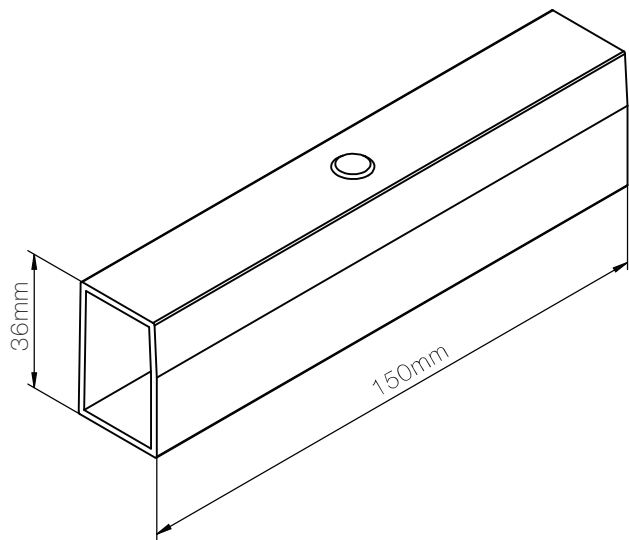


PRODUCT LINE

Item	Product Name
CK-618-1-150	CHIKO 518 Rail Splice Kit

TECHNICAL DATA

Main Material	AL 6005-T5
Wind Load	Up to 60 M/S
Snow Load	1.4 KN/M ²



#518 RAIL SPLICE KIT

CHIKO 518R aluminum rail splice kit is designed for 518R rail connection from back to position..Move easily and economically to install the rails.

ADVANTAGES

- Easy installation
- Highclass anodized

COMPONENT LIST

MATERIAL	QTY
Aluminium Rail Splice Kit	01
SUS304 Self tapping screw 4.2*16	04

WARRANTY



ORDERING SPECIFICS

Standard Packaging	50PCS/BOX 200PCS/CTN
Dimensions	50*38*20CM
Weight	17kg