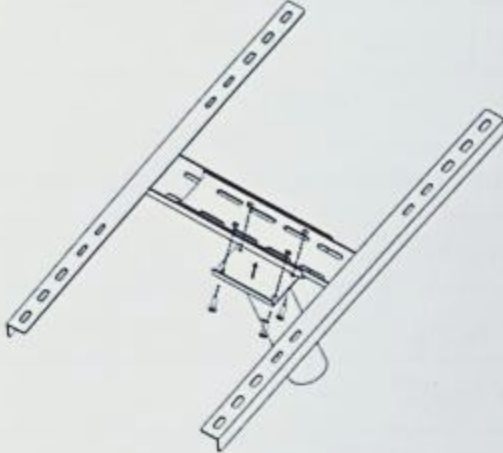


4.INSTALLATION INSTRUCTIONS

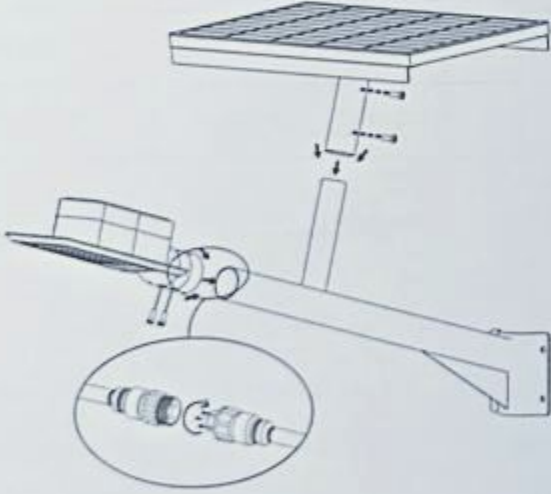
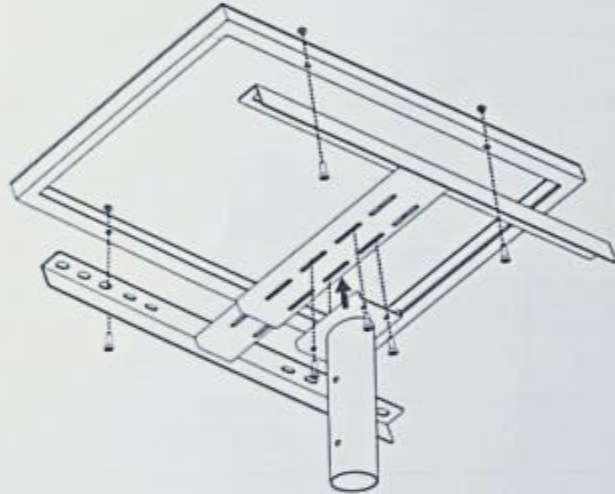
4.1 Bracket installation

Assemble and fix the bracket with screws.



4.2 Solar panel and lamp installation

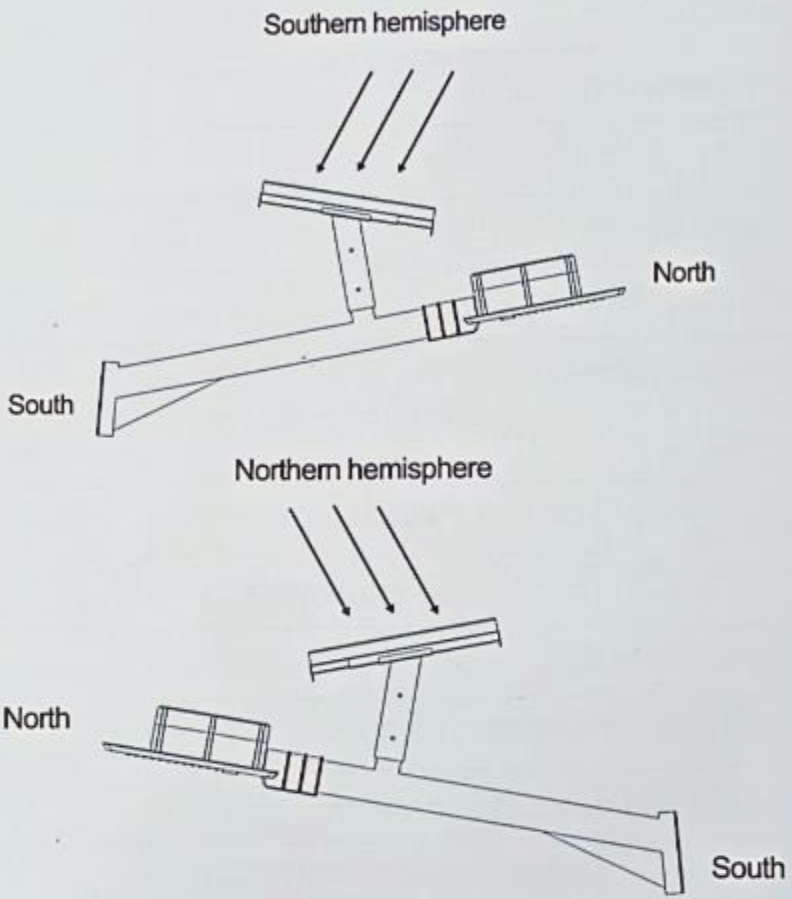
Connect and fix the solar panel with screws, and fix the lamp on the lamp pole.



Successful installation

Integrated solar street lights can't work without sunshine, please choose suitable product model according to the sunlight intensity of the installed area or amount of solar radiation, and choose product model according to the actual lighting needs ;In the area where the sun is not enough or long-time continuous rainy day, the working time of the solar light will be reduced;

2. If install this product in the northern hemisphere, make solar panels as possible towards the south, in order to get maximum light energy; If it is in the southern hemisphere, installing solar panels towards the north. At the same time to avoid the shadow of houses, trees and other obstructions which will reduce the efficiency of the solar panel and shorten its work time.



5.Warranty and after-service:

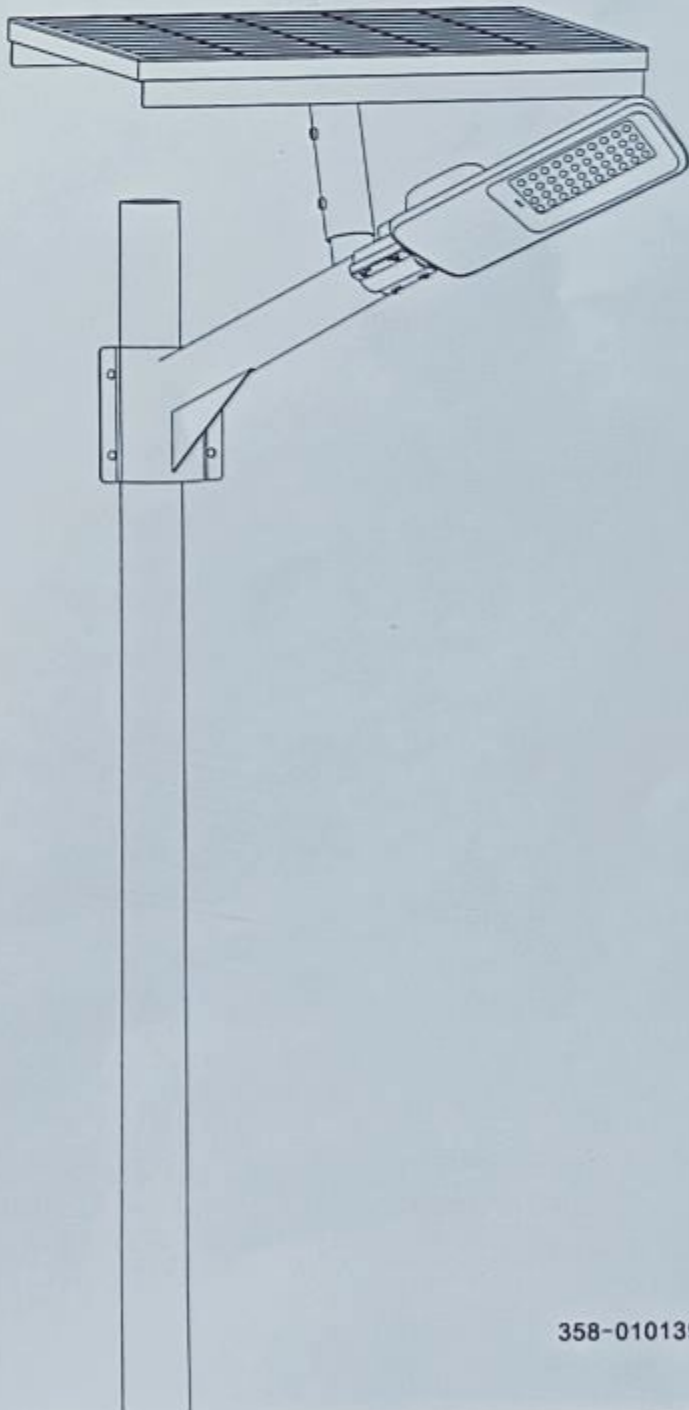
This product from the date of delivery, not artificial damage warranty for 36 months.

6.U3 Series Indicator Logic

No.	Product Status	Yellow indicator running/ RUN indicator	Green indicator Charging/ CHG indicator	Red indicator Discharging/ DISCHG indicator
1	Initializing	Flash together	Flash together	Flash together
2	Charging normally	ON	ON	OFF
3	Driving the light normally	ON	OFF	ON
4	The light is standby	ON	OFF	OFF
5	The battery is waiting to exit the under voltage status	OFF	Flash slowly	OFF
6	Driving time is up	OFF	OFF	Flash slowly
7	The battery is over voltage	Flash slowly	OFF	OFF

User Manual

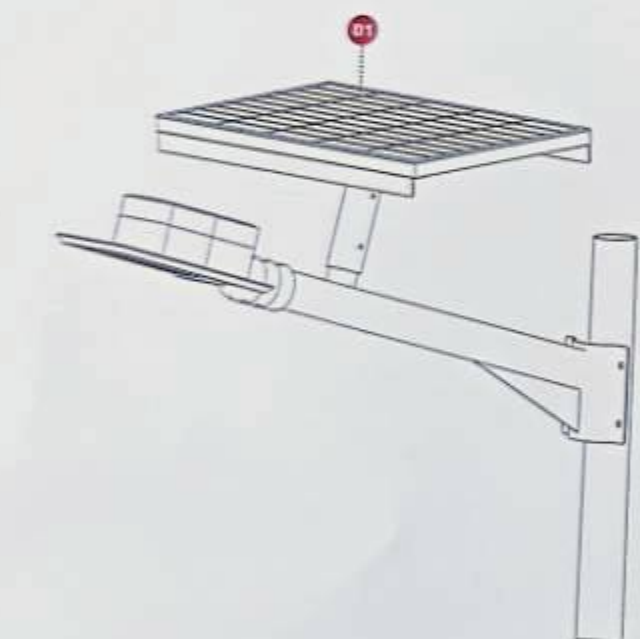
U3 Series solar street light



1.SOLAR STREET LIGHT INTRODUCTION

1. A + grade solar cells, each solar cell has a perfect IV curve, and the conversion efficiency is as high as 19.5%;
2. The built-in lithium iron phosphate battery has a discharge depth of 95%. The lifespan could be 15 years under the discharge rate less than 0.5c condition and safety factor is very high;
3. With high lumen led, the light efficiency is higher and the service life is up to 50000 hours;
4. Imported PC outdoor optical lens and unique secondary optical design make the lighting area wider and the light color more uniform;
5. The shell is made of high-quality mg Al alloy of Seiko grade, with light weight, good heat dissipation, good anti-corrosion performance and long service life;
6. IP65 protection grade.

2.Part description



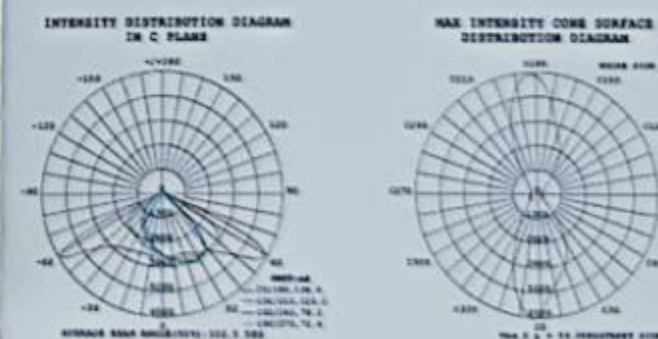
1. Solar panel
3. Lithium battery
5. Tailstock

2. LED light
4. Control module

3.The performance parameters

Model	U3-20W	U3-40W	U3-60W	U3-80W	
Solar module	35W	65W	105W	130W	
High capacity lithium battery	Built-in 80Wh	Built-in 160Wh	Built-in 240Wh	Built-in 320Wh	
Luminous flux(All light pattern)	1650lm	3300lm	4950lm	6600lm	
Working Mode	High luminance working in the first 4 hours and intelligent control in the last 8 hours				
Solar panel charge time	5H strong sunlight				
Color temperature	6500K				
Induction angle	70°*140°				
Light pole diameter	60~80mm				
Storage temperature	0~55°C				
Operating humidity	≤90%RH				
Working temperature	Charge temperature	0~55°C			
	Discharge temperature	-10~60°C			
Ingress protection	IP65				
Recommend installation height	3~4m	4~5m	5~6m	6~7m	
Recommend installation distance	10~20m	15~25m	20~30m	25~35m	
Light package	Inner package size(2PCS)	540*230*125mm		655*270*125mm	
	Outer package size(6PCS)	555*395*245mm		670*395*285mm	
	Inner package gross weight(2PCS)	1.95 KG	2.45 KG	3.8 KG	3.85 KG
	Outer package gross weigh(6PCS)	12.6 KG	15.5 KG	23.6 KG	19.8 KG
Solar panel package	Outer package size	700*168*365mm(6PCS)	700*198*685mm(6PCS)	1005*108*685mm(3PCS)	1005*108*854mm(3PCS)
	Outer package gross weight	11.8 KG(6PCS)	21.76 KG(6PCS)	18.9 KG(3PCS)	26.4 KG(3PCS)

Light distribution curve



Product features

1. A + grade solar cells, each solar cell has a perfect IV curve, and the conversion efficiency is as high as 19.5%;
2. The built-in lithium iron phosphate battery has a discharge depth of 95%. The lifespan could be 15 years under the discharge rate less than 0.5c condition and safety factor is very high;
3. With high lumen led, the light efficiency is higher and the service life is up to 50000 hours;
4. Imported PC outdoor optical lens and unique secondary optical design make the lighting area wider and the light color more uniform;
5. The shell is made of high-quality mg Al alloy of Seiko grade, with light weight, good heat dissipation, good anti-corrosion performance and long service life;
6. IP65 protection grade;