

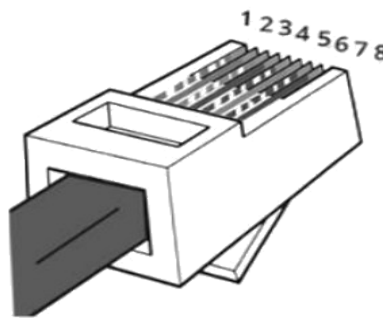
Below is our Operation Guide for connecting the smartmeter with Felicity inverters:

We have tested the models listed in the table below for connectivity.

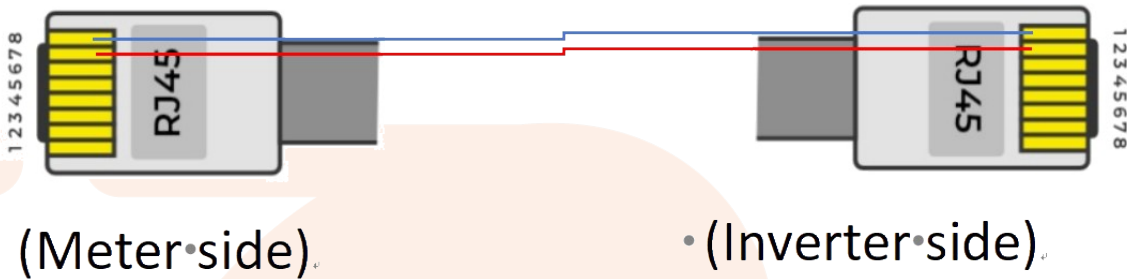
(1) Connect the comm port of inverter and RS485 port if meter. The corresponding communication pins are defined in the following table. You can make communication cables according to this table.

| | Inverter | Smartmeter |
|--------|----------|------------|
| RS485A | Pin1 | Pin8 |
| RS485B | Pin2 | Pin7 |

(Order of Communication Cable)

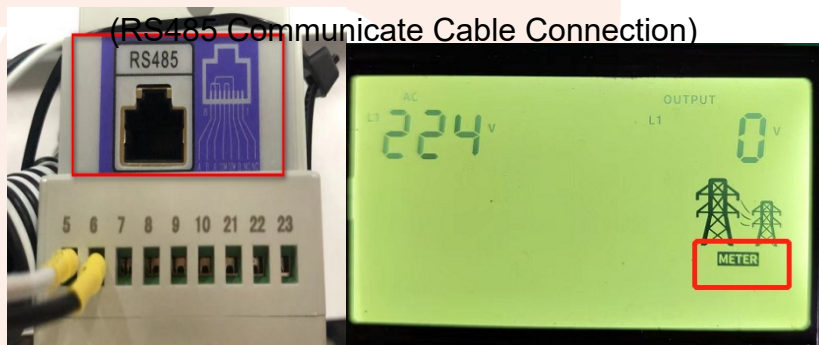


(RJ45 Pin Sequence)



(Meter side)

(Inverter side)



(RS485 Communicate Cable Connection)

(2) After the above steps are completed, connect the utility and wait for 5 secs, the Inverter and smart meter will start communication. And then the LCD will show you 'meter' icon. Congratulations.