

NANLITE

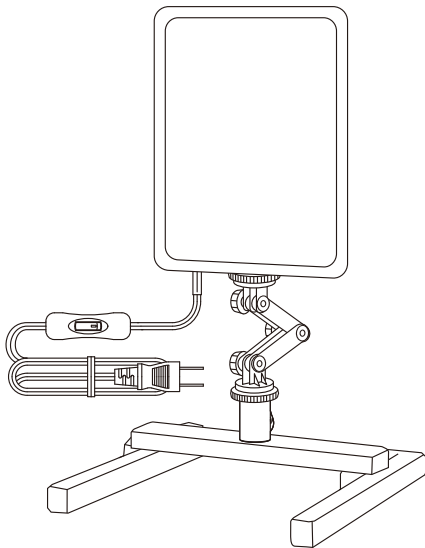
USER MANUAL

Compac 20 LED Studio Light

Guangdong NanGuang Photo&Video Systems Co., Ltd

Compac 20 LED Studio Light

Product Show



Technical Data

LED Quantity: 96pcs

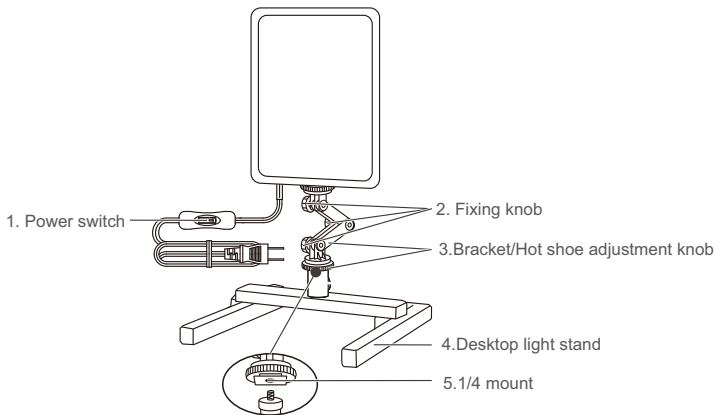
Voltage: AC 100V-240V

LED Power: 20W

Color Temperature: 5600K

CRI(Ra): 95

Product Details



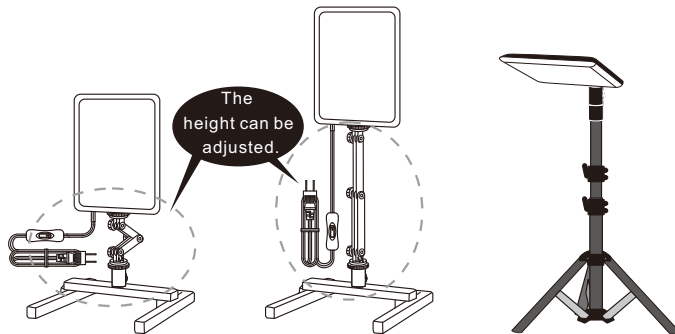
Detailed description

1. Power switch: Turn on/off the fixture.
2. Fixing knob: For adjusting the illumination direction and the height of fixture.
3. Bracket/Hot shoe adjustment knob: For connecting the fixture with the photographic equipment.
4. Desktop light stand: For holding the fixture and keeping the fixture more stable.
5. 1/4 mount: For connecting the fixture with the desktop light stand or light stand.

Usage

1. Make sure the connection between the fixture, adjustable bracket and desktop light stand/light stand is stable, and rotate the fixing knob to adjust the fixture to desired position. (As show in figure)

NOTE: Light stand is not included.



2. Make sure the fixture is in the "off" position, and plug in power, then turn on the fixture to use.
3. Turn off the fixture by pressing the power switch when stop using the light.

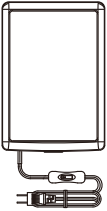
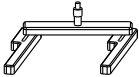



■ Security Warning Info

1. Please open the package to check if it is damaged from transportation after receiving the light. In case of damage caused by transportation, please do not use this light and contact the dealer as soon as possible.
2. Do not use a power cord if damaged insulation. Do not unplug hard or drag the power cord directly.
3. Make sure that the power supply voltage used matches the voltage specified by the light before installation.
4. When not using or cleaning the light, please turn it off.
5. Keep the light safely stored and away from children.

■ Notice

1. Before using, please read the instruction sheet carefully and then install the product according to the instruction sheet.
2. The product should be operated within the normal voltage.
3. Pull insert plug, please do not use too much force to pull connection. And do not touch the connection by wet hand.
4. Please keep this product in dry and ventilated place, to avoid the circuit get wet, and cause short circuit.
5. When stop using, please turn off the power to preserve the life of the LEDs.

What's in the box? Please kindly check.

Compac 20X1	Desktop light standX1	Adjustable bracketX1	Connecting baseX1	User Manual X1
				

Troubleshooting List

Potential Malfunction	Diagnosis
The light can not light up.	<ol style="list-style-type: none"> 1. Please check if the fixture is in the "off" position. 2. Please check whether the connection between power cord plug and fixture is loose.
The lamp is flickering.	<ol style="list-style-type: none"> 1. Please check whether the voltage value is within specified parameters. 2. Check if there is any high temperature object near the light that could cause the operating environment temperature too high.

If the failure is not solved after the above troubleshooting procedures, please contact the dealer or manufacturer for repair.

The instruction was written according to the strict production test of our company, if there are any changes related to the design of the product later, we will not keep you updated for that.

Version:V1 2019-10-22

NANLITE

 +86-754-85751187

 +86-754-85300887

 service@nanlite.com

 Zhanglin,324,Dongli Chenghai Shantou Guangdong China

www.nanlite.com