

WINCH BRACKET

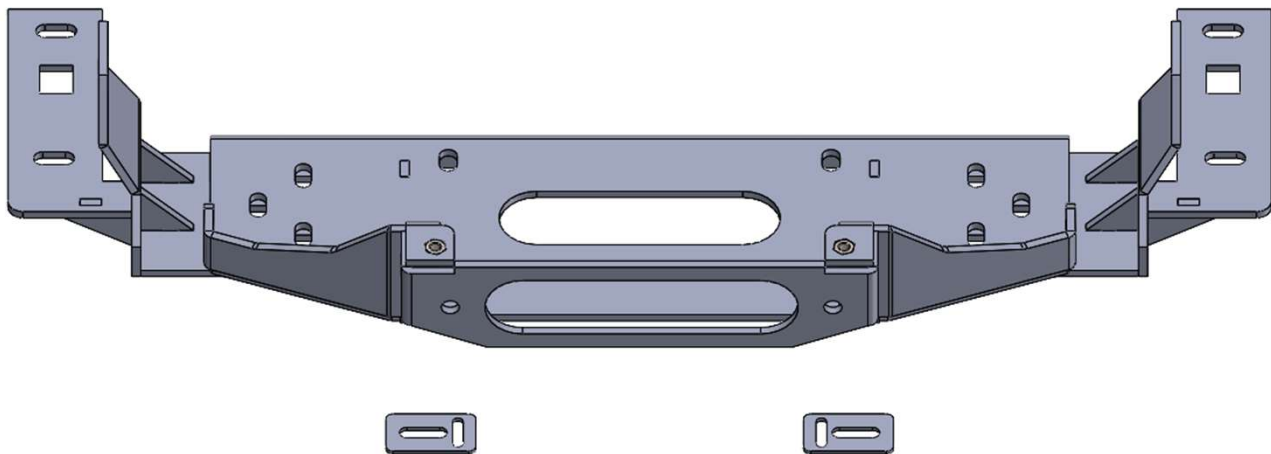
Go to Index



RAPTOR 23+ 2.0

PWD-30

MOUNTING INSTRUCTION COMPATIBLE FOR ALL PRODUCTS



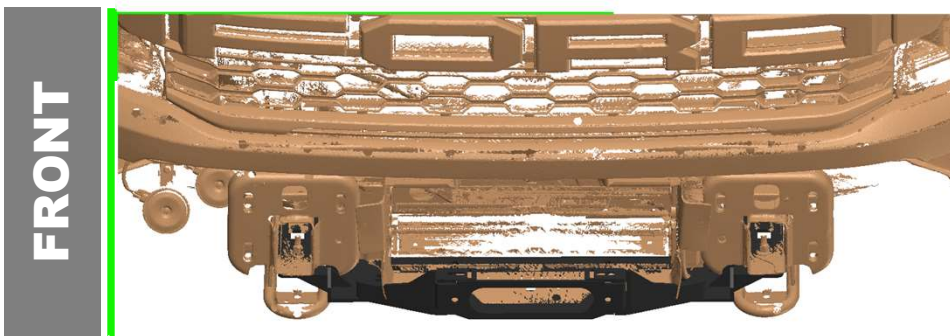
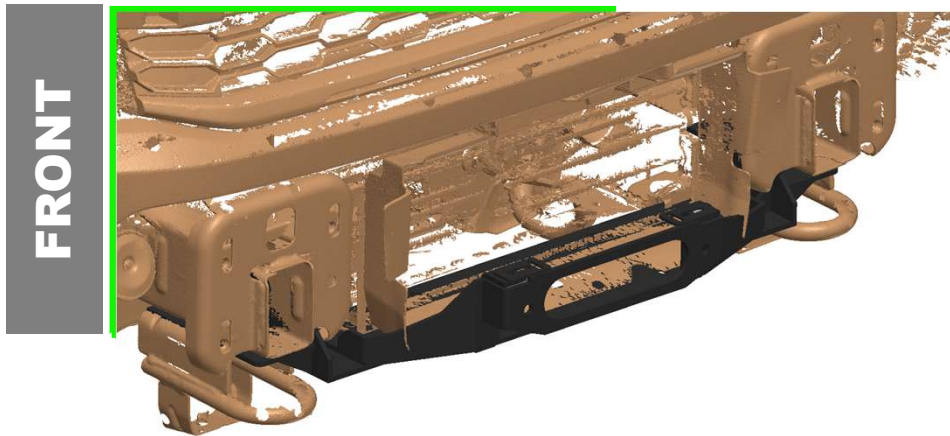
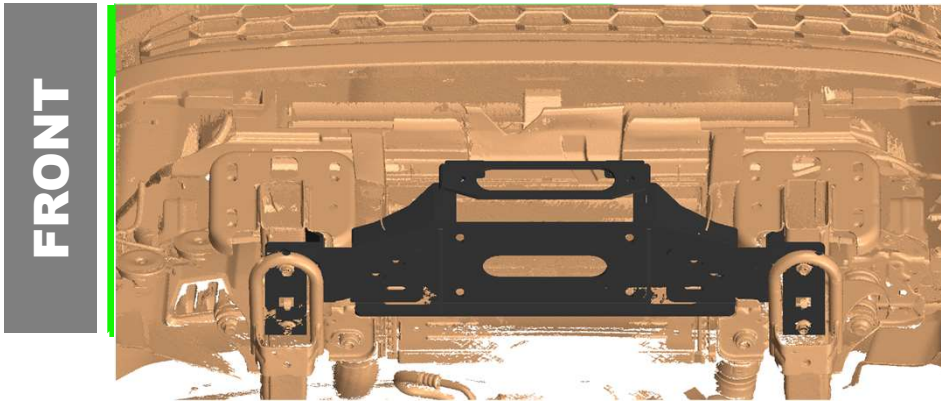
**VERIFY YOU HAVE ALL THE COMPONENTS BEFORE STARTING THE INSTALLATION.
REFER TO THE ENGINEERING DRAWINGS AT THE END OF THIS DOCUMENT FOR A COMPLETE
PARTS LIST**

2201TR - 01

[Go to Index](#)



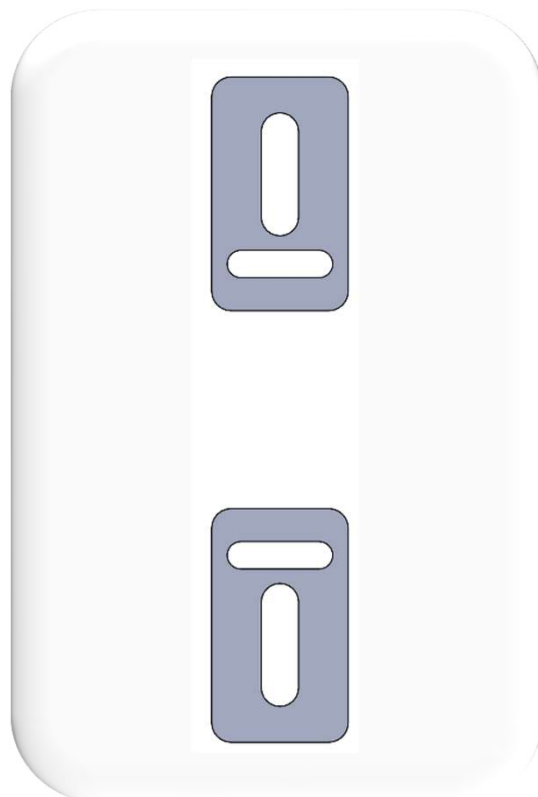
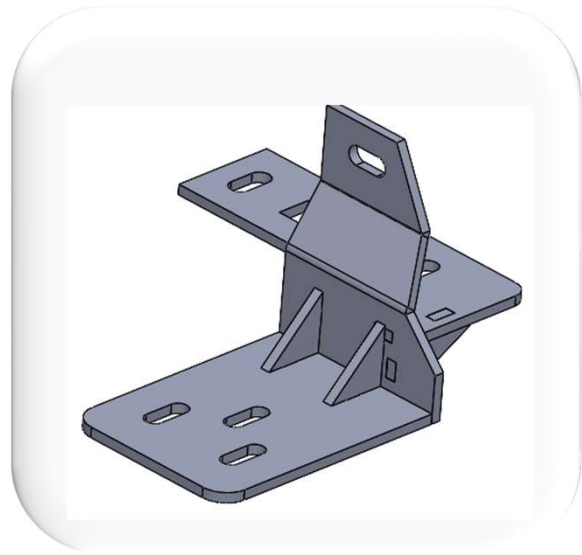
1. Mount Installation



Go to Index



1. Mount Installation



2201TR - 01

3. Bolt Kit

Go to Index



Designation	Part No	Name	Spec.	Q'ty
	1000	Bolts	DIN 6921 (M10x25)	8 pcs
	1000	Bolts	DIN 6921 (M8x25)	2 pcs
	1000	Bolts	M10X100	2 pcs
	1000	Bolts	M6X25	2 pcs
	1002	Nuts	M10	8 pcs
	1002	Nuts	M6	2 pcs
		Special Washers	M10	2 pcs
		Washers	M10	2 pcs

2201TR - 01