

**DUBLE PLUS CHR/BLACK**

Go to Index

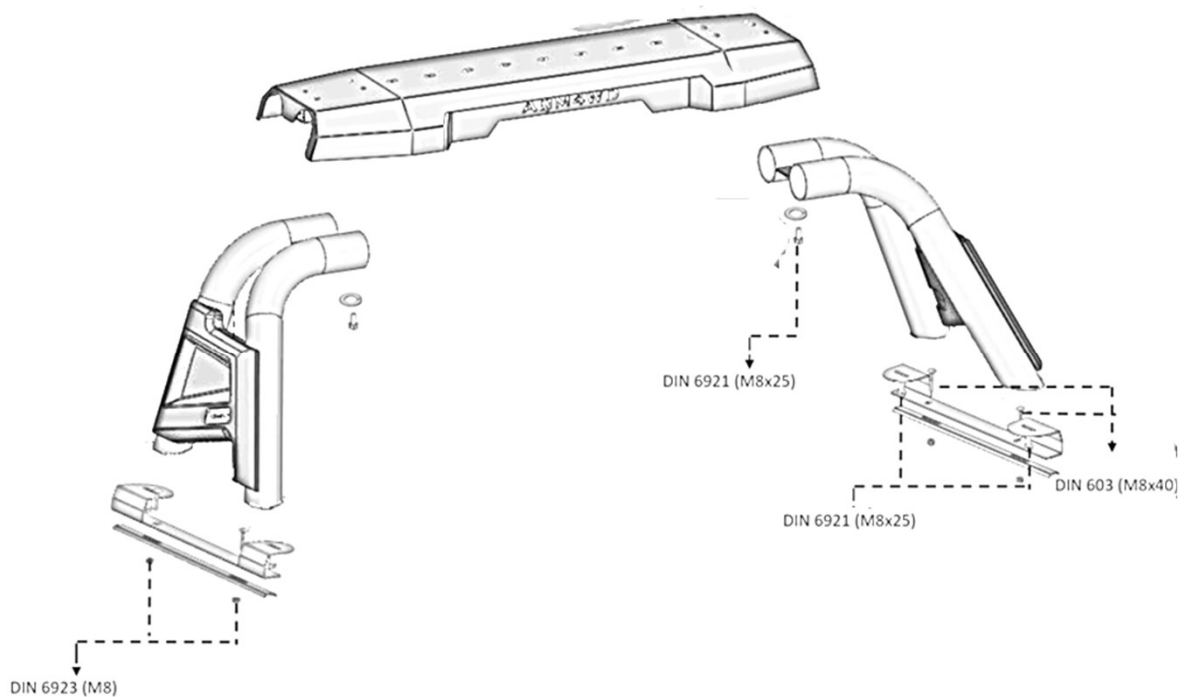


**UNIVERSAL**

**PRB-01**  
**PRB-02**



MOUNTING INSTRUCTION COMPATIBLE FOR ALL PRODUCTS



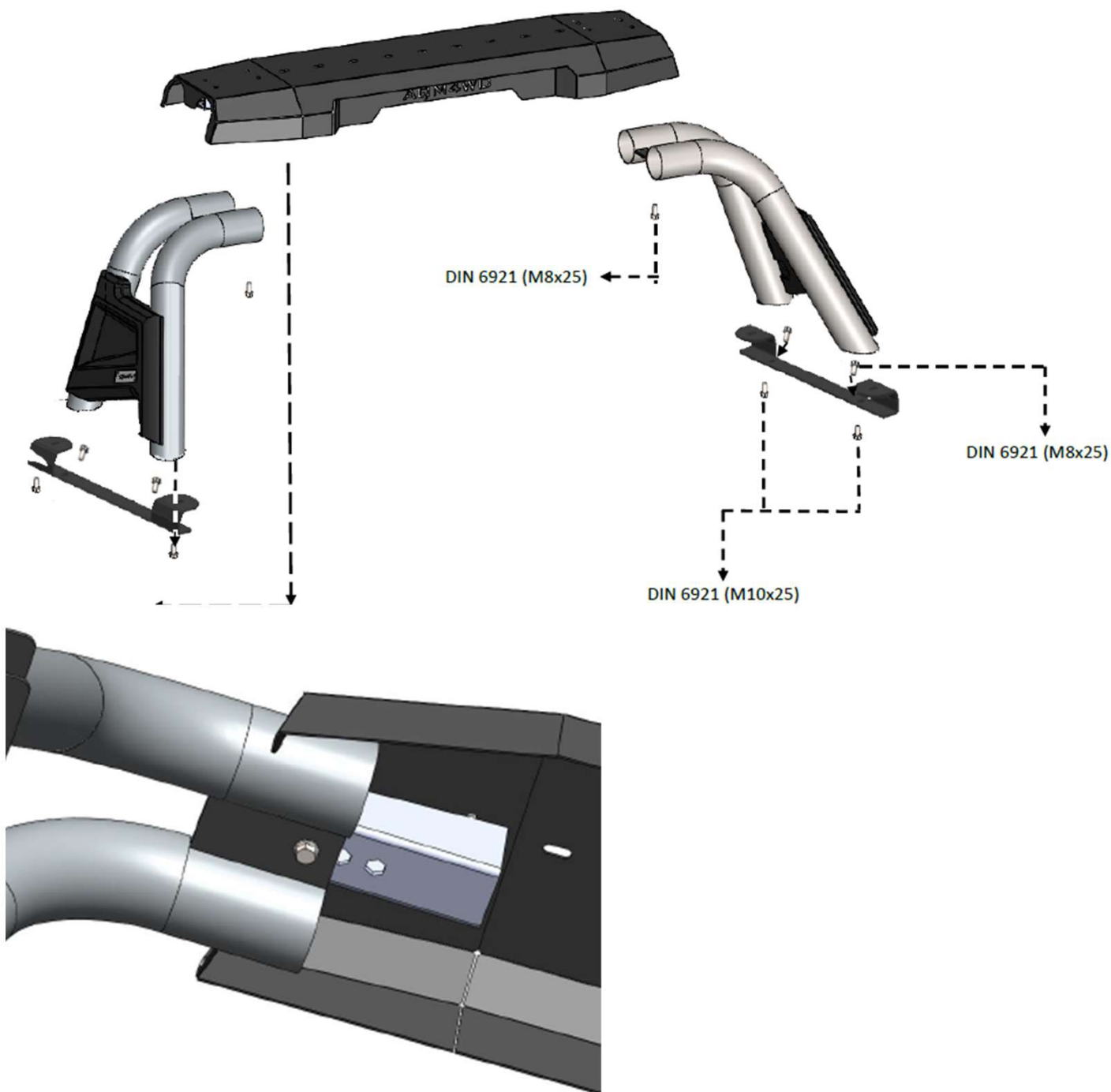
*\*VERIFY YOU HAVE ALL THE COMPONENTS BEFORE STARTING THE INSTALLATION.  
REFER TO THE ENGINEERING DRAWINGS AT THE END OF THIS DOCUMENT FOR A COMPLETE  
PARTS LIST\**

2201TR - 01

Go to Index



## 1. Mount Installation



2201TR - 01


Go to Index



## 1. Mount Installation



2201TR - 01

Go to Index 

**2.Mount Kit**




Designation	Name	Q'ty
	FRONT R	1 pcs
	FRONT L	1 pcs

2201TR - 01

Go to Index



### 3. Bolt Kit

Designation	Part No	Name	Spec.	Q'ty
	1000	Bolts	DIN 6921 (M8x25)	8 pcs
	1000	Bolts	DIN 603 (M8x40)	4 pcs
	1002	Nuts	DIN 6923 (M8)	4 pcs