

DUBLE PLUS CHR/BLACK

Go to Index



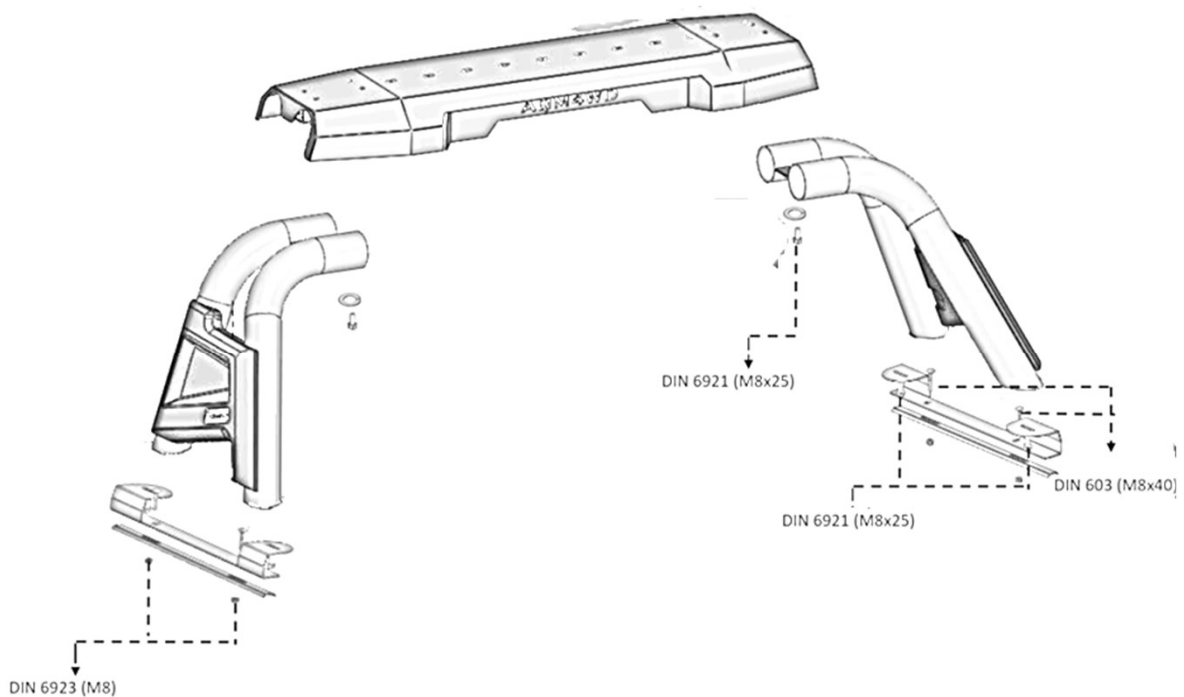
RAM 19+

PRB-01

PRB-02



MOUNTING INSTRUCTION COMPATIBLE FOR ALL PRODUCTS



**VERIFY YOU HAVE ALL THE COMPONENTS BEFORE STARTING THE INSTALLATION.
REFER TO THE ENGINEERING DRAWINGS AT THE END OF THIS DOCUMENT FOR A COMPLETE
PARTS LIST**

2201TR - 01

Go to Index



2.Mount Kit




Designation	Name	Q'ty
	FRONT R	1 pcs
	FRONT L	1 pcs

2201TR - 01

Go to Index



3. Bolt Kit

Designation	Part No	Name	Spec.	Q'ty
	1000	Bolts	DIN 6921 (M8x25)	8 pcs
	1000	Bolts	DIN 603 (M8x40)	4 pcs
	1002	Nuts	DIN 6923 (M8)	4 pcs