


ROLLBAR LIGHT

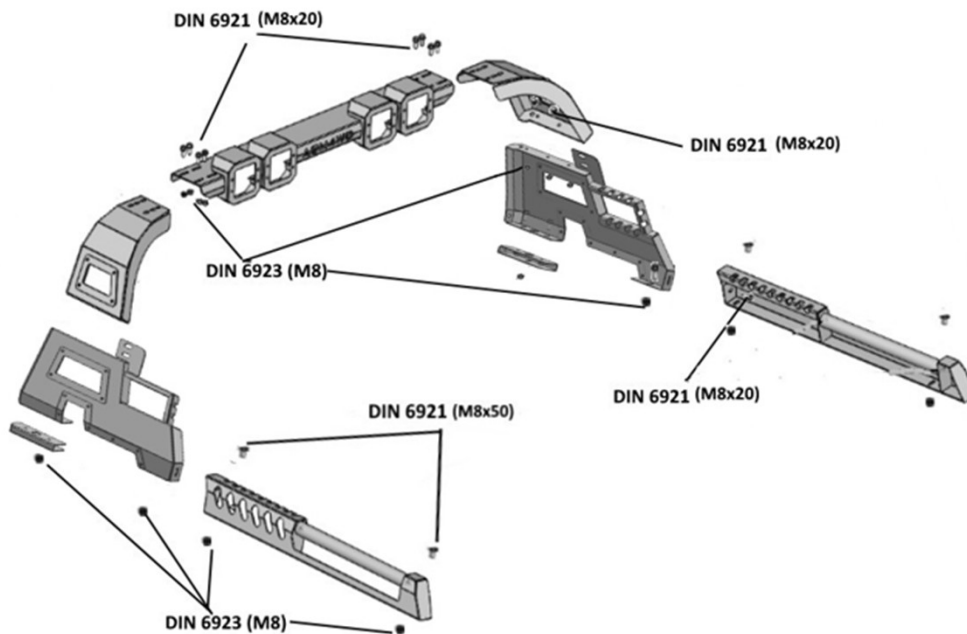
Go to Index 

UNIVERSAL

**AQM
X10**



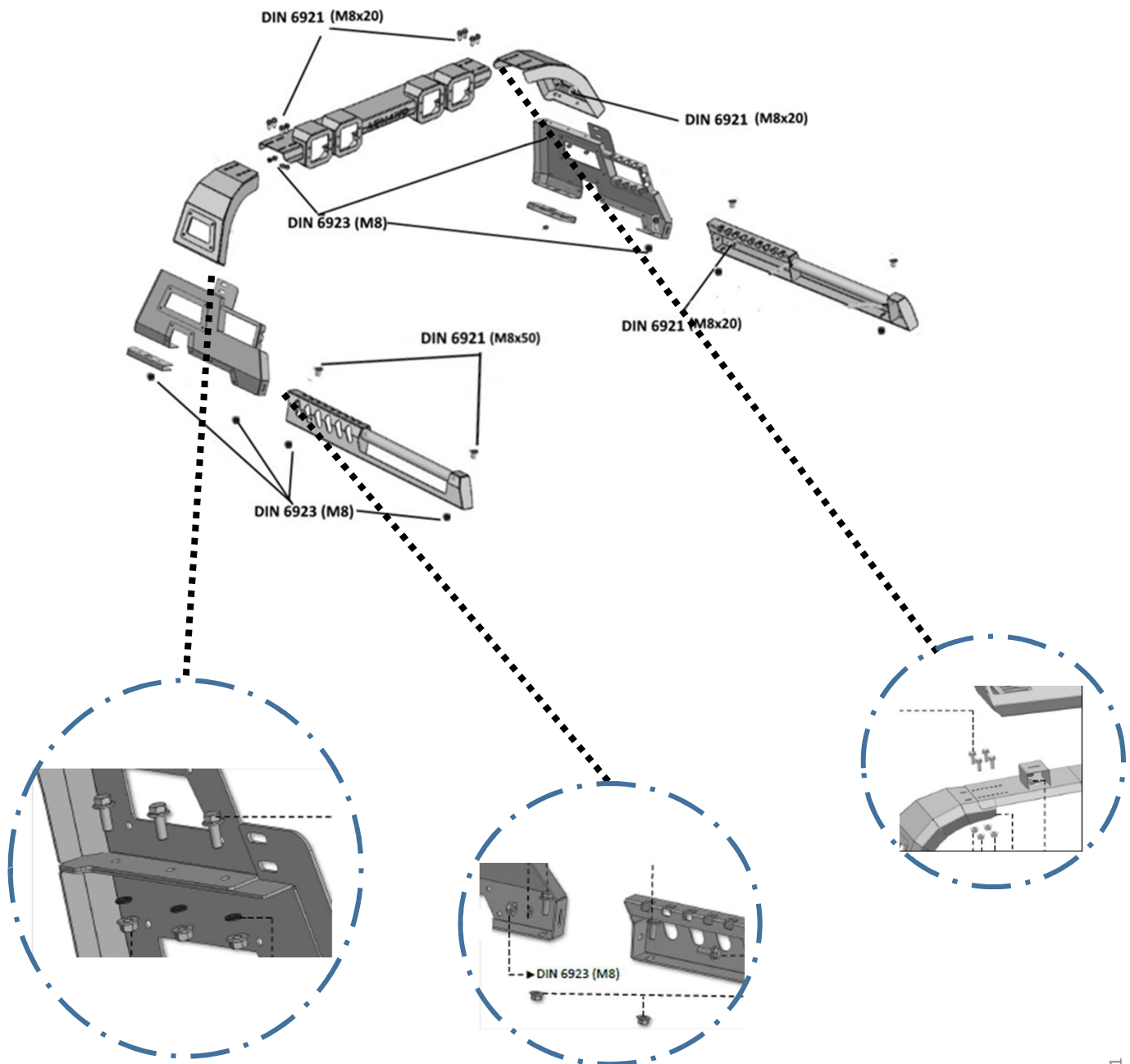
MOUNTING INSTRUCTION COMPATIBLE FOR ALL THREE PRODUCTS



**VERIFY YOU HAVE ALL THE COMPONENTS BEFORE STARTING THE INSTALLATION.
REFER TO THE ENGINEERING DRAWINGS AT THE END OF THIS DOCUMENT FOR A COMPLETE
PARTS LIST**

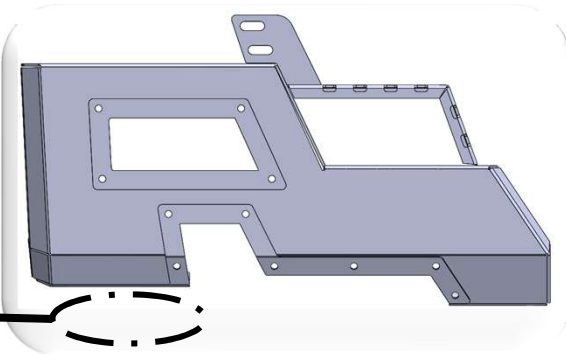
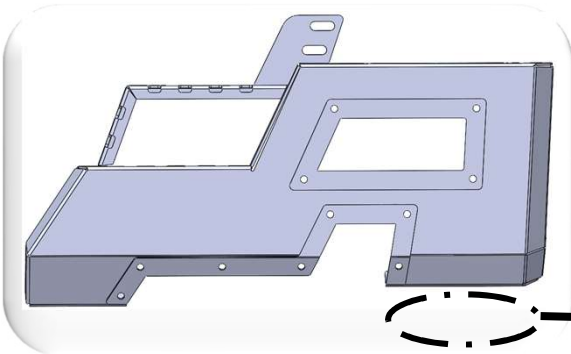
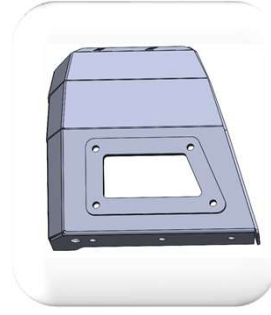
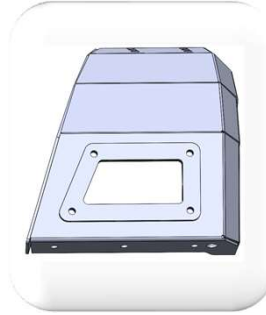
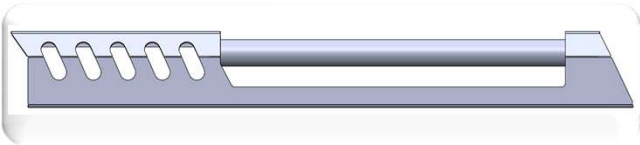
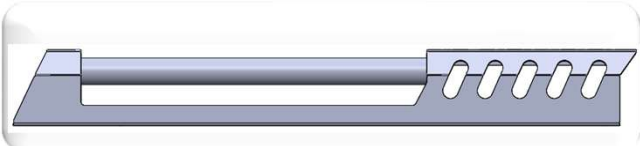
2201TR - 01

Go to Index



2201TR - 01

Go to Index



not to be used in sliding system



Go to Index



3. Bolt Kit

Designation	Part No	Name	Spec.	Q'ty
	1000	Bolts	DIN 6921 (M8x20) CHROME	20 pcs
	1000	Bolts	DIN 6921 (M8x50) CHROME	8 pcs
	1002	Nuts	DIN 6923 (M8) CHROME	28 pcs
		Nuts	DIN 6334 M8	6 pcs