

**WINCH BRACKET**

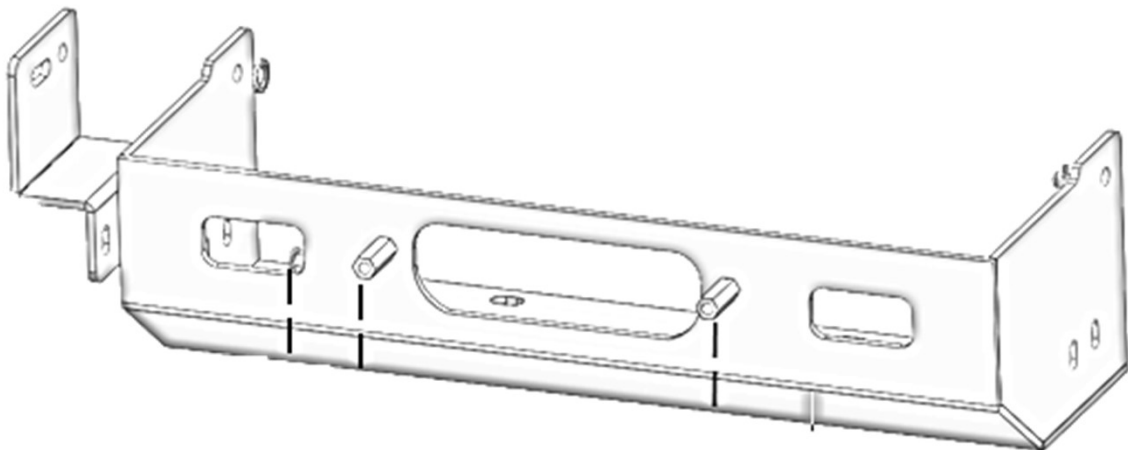
Go to Index



**L200 15+**


**PWD-30**

MOUNTING INSTRUCTION COMPATIBLE FOR ALL PRODUCTS

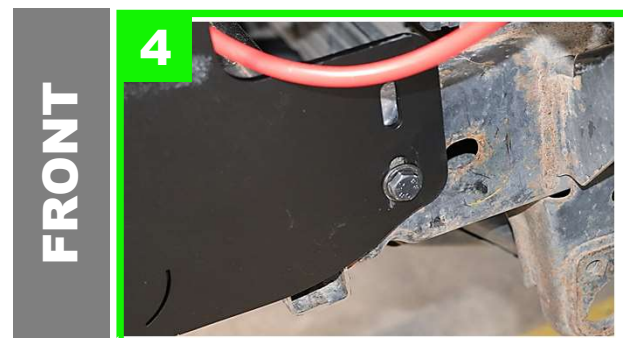
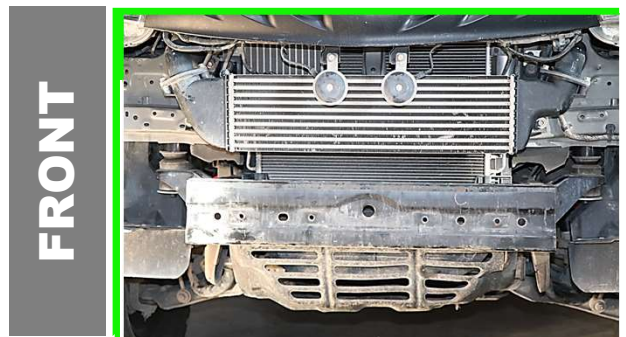


*\*VERIFY YOU HAVE ALL THE COMPONENTS BEFORE STARTING THE INSTALLATION.  
REFER TO THE ENGINEERING DRAWINGS AT THE END OF THIS DOCUMENT FOR A COMPLETE  
PARTS LIST\**

2201TR - 01

Go to Index 

### 1. Mount Installation




2201TR

### 3. Bolt Kit

Go to Index



Designation	Part No	Name	Spec.	Q'ty
	1000	Bolts	DIN 6921 (M10x25)	4 pcs
		Bolts	DIN 6921 (M10x100)	2 pcs
		Socket flat head	DIN 7991 M10	2 pcs
		Fine thread bolts	DIN 961 M10 1,25x25	2 pcs
	1002	Nuts	DIN 6923 (M10)	6 pcs
Designation	Part No	Name	Spec.	Q'ty
	1002	Special Nuts	DIN 6334 (M10)	2 pcs
		Washer	DIN 125 M10	4 pcs

2201TR - 01