

WINCH BRACKET

Go to Index

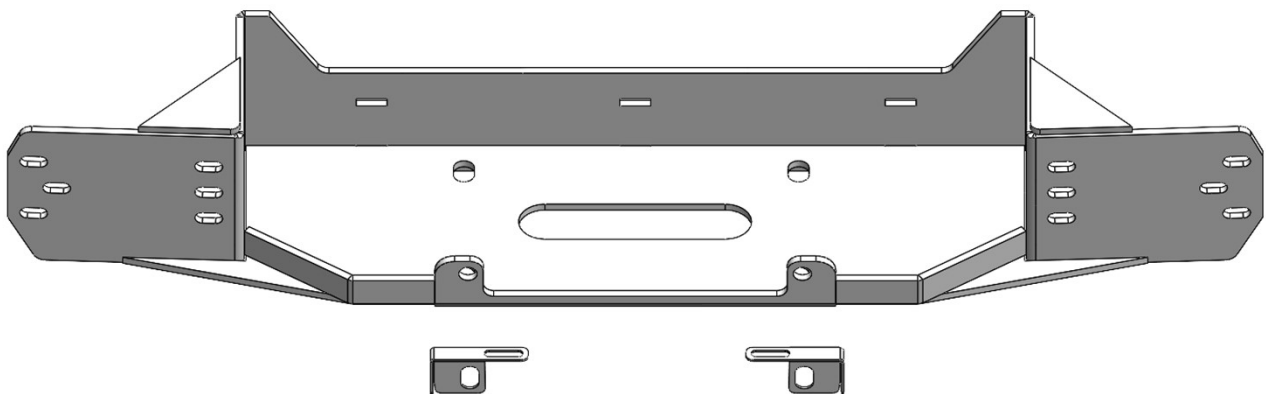


RANGER AMAROK 23+

PWD-30



MOUNTING INSTRUCTION COMPATIBLE FOR ALL PRODUCTS



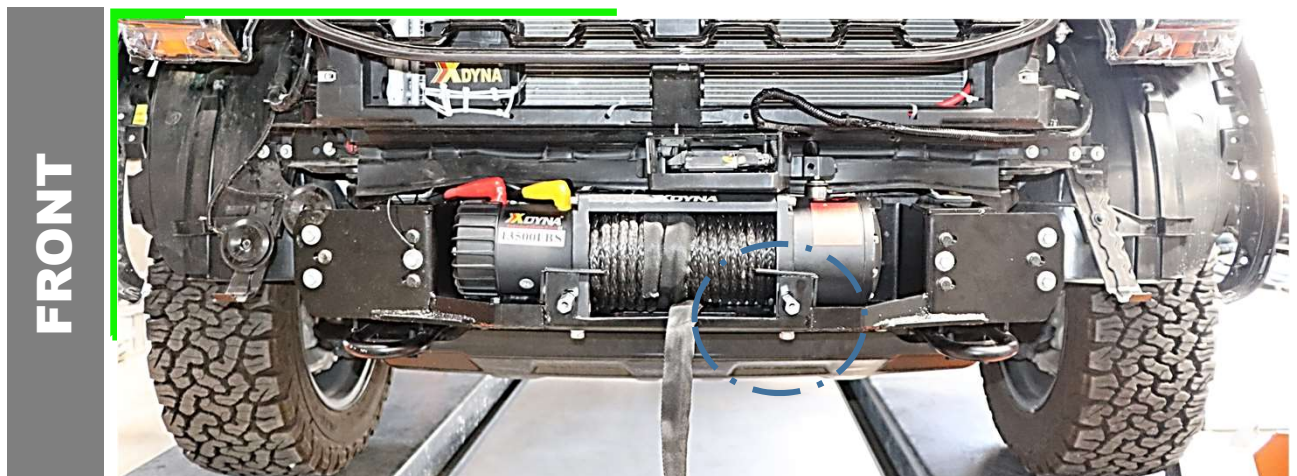
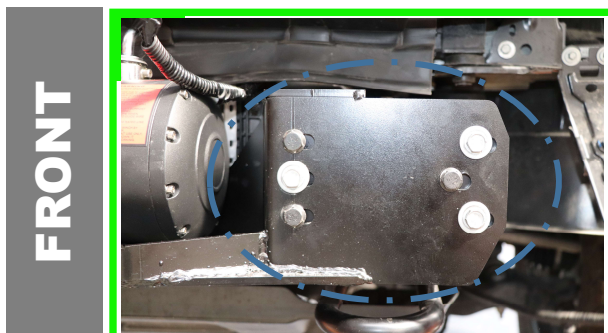
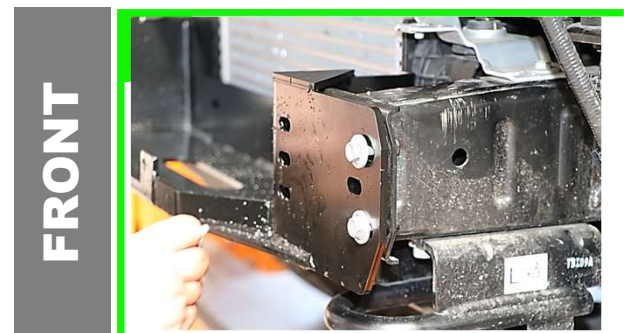
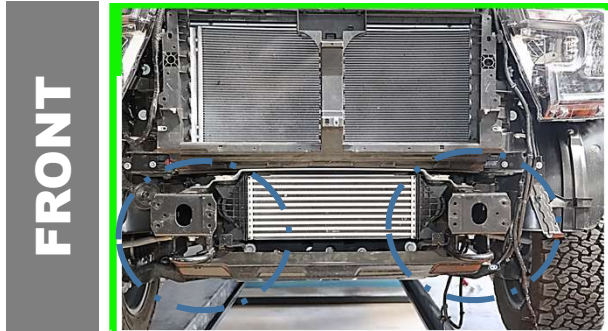
**VERIFY YOU HAVE ALL THE COMPONENTS BEFORE STARTING THE INSTALLATION.
REFER TO THE ENGINEERING DRAWINGS AT THE END OF THIS DOCUMENT FOR A COMPLETE
PARTS LIST**

2201TR - 01

[Go to Index](#)



1. Mount Installation

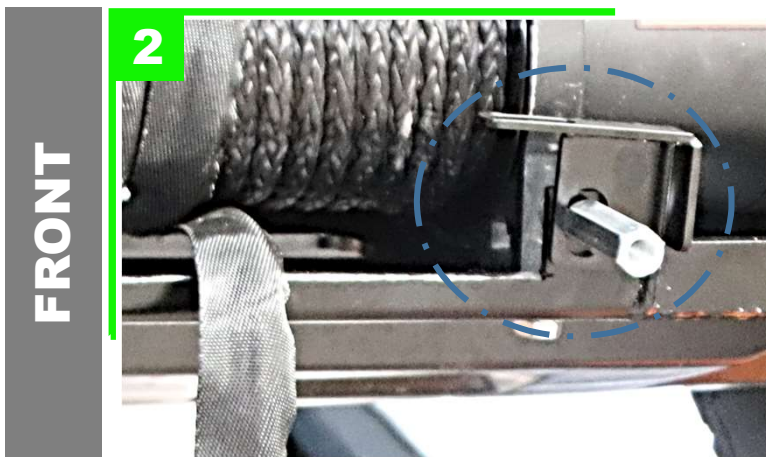
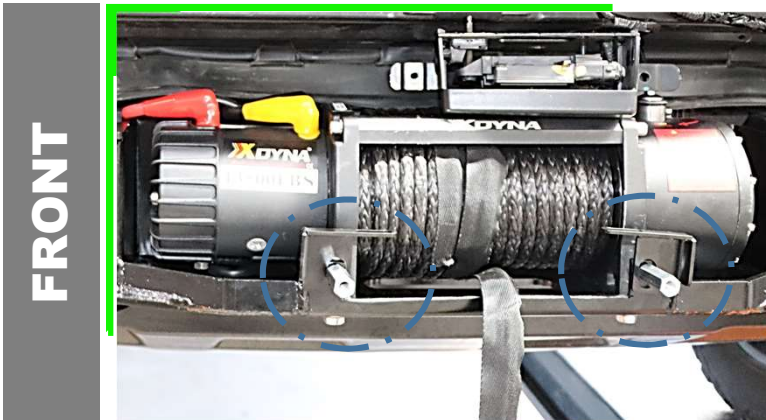
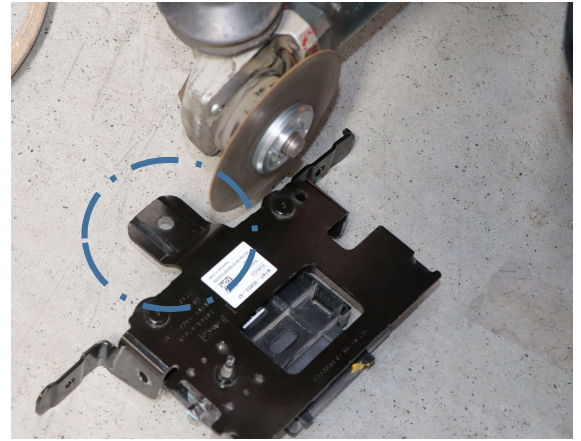


2201

Go to Index



1. Mount Installation

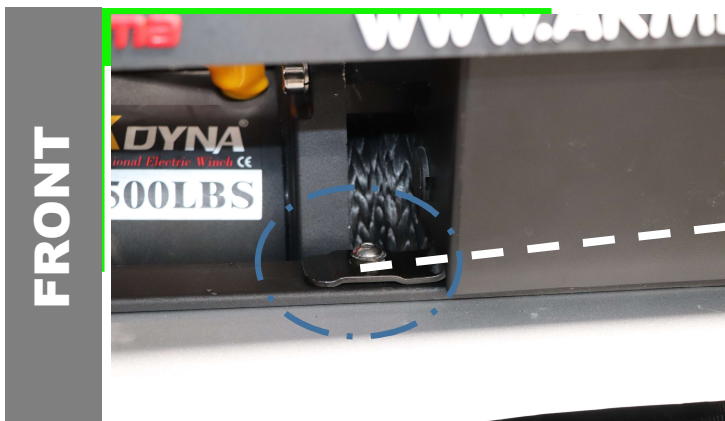


2201TR - 01

Go to Index



1. Mount Installation










2201TR - 01

3. Bolt Kit

Go to Index



Designation	Part No	Name	Spec.	Q'ty
	1000	Bolts	DIN 6921 (M10x25)	2 PCS
	1000	Bolts	DIN 6921 (M8x25)	6 PCS
	1000	Bolts	M10	2 PCS
	1000	Bolts	M6	2 PCS
	1002	Nuts	M8	6 PCS
	1002	Nuts	M6	2 PCS
		Special Nuts	DIN 6923 (M10)	2 PCS