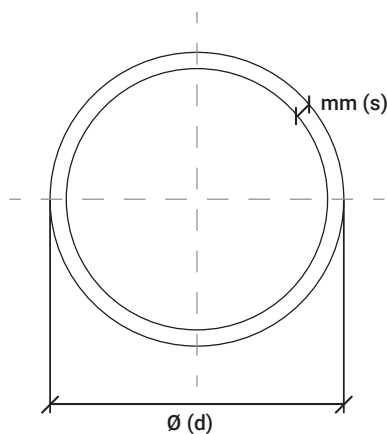




Irrigation pipes

Irrigation pipes are produced from a softer material for easier installation. High impact resistance and weathering, make it ideal for the most demanding implementation. Unlike steel, PE Pipes can easily bypass obstacles in their path and withstand movements in the ground around them. The fields of use are turf irrigation, open-field irrigation, and greenhouses.

Connection: Mechanical fittings (PP Compression fittings, Clamp saddles, Dripline fittings, Barbed fittings, etc.)



Features

- Long lifetime
- UV resistant
- High chemical resistance

Specifications and Technical data

Diameter	16 - 200 mm
Color	Black, with green stripes
Packaging	50, 100, 200, 300, 500 m rolls, 6 m pipes, or custom made
Operating Pressure	3.2 – 6.3 bar
Heat Resistance	-20 – +40°C; however when used over +20°C the lifetime and pressure resistance is decreased Below +4°C becomes more rigid, and could be easily damaged; Below -5°C is not recommended for installation
Thermal Dilatation	0.2 mm/m/°C
Field Of Use	Cold-water pressure line networking
Methods Of Connection	<ul style="list-style-type: none"> • PP Compression fittings • Dripline fittings
Standard	ISO 8779