

## Smart Relay Wi-Fi, 16A



EREL-16WIFI

### Quick Guide

Ver. 1.1  
Release date: IX 2024  
Soft:  
Main module: v2.1.17  
MCU: v1.0.1



Producer:  
Enigo Controls Sp z o.o. Sp. k.  
43-262 Kobielice  
Rolna 4 St.  
Poland



[www.engocontrols.com](http://www.engocontrols.com)

### Technical specifications

Power supply	230V AC 50Hz
Max load	16(5)A
Communication	Wi-Fi 2,4GHz
Output	COM / NO (Volt-free)
Input	Volt-free contact input or temperature sensor EFS300
Sensor temperature range	-40°C to 120°C
Dimension [mm]	46 x 46 x 24

### Introduction

The Wi-Fi relay can wirelessly control selected devices in the smart home: heat source, circulation pump, fans, lighting, gates, electric heaters, etc. It has the option connect an EFS300 sensor, which allows to make smart rules and automations based on temperature readings. Allows the construction of any scenarios in the intelligent house. It is housed in an installation box, which makes it possible to mount it under a light lighting switch or under a mains socket. Also possible DIN rail mounting using the bracket provided. It can also work with the voice assistants Amazon Alexa and Google Home.

### ATTENTION:

The sensor temperature range is from -40°C to 120°C.

### Product Compliance

This product complies with the following EU Directives: 2014/30/EU, 2014/35/EU, 2014/53/EU i 2011/65/EU.

### Safety Information:

Use in accordance with national and EU regulations. Use the device only as intended, keeping it in a dry condition. The product is for indoor use only. Installation must be carried out by a qualified person in accordance with national and EU regulations.

### Installation:

Installation must be performed by a qualified person with appropriate electrical qualifications, in accordance with the standards and regulations in force in a given country and in the EU. The manufacturer is not responsible for non-compliance with the instructions.

### ATTENTION:

For the entire installation, there may be additional protection requirements, which the installer is responsible for.

### Input/Output



1. Power supply 230V AC
2. Volt free output
3. Volt free input or input for connecting the EFS300 temperature sensor
4. Function button
5. LED diode indicating the status of the module.

### LED diode indications

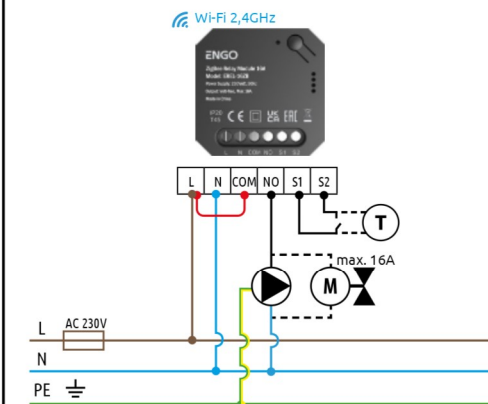
	EXPLANATION
<b>LED diode flashes on red</b> ● ● ● ...	The device is in pairing mode with the application (when the device does not has been previously added to the app, or after restoring factory settings)
<b>LED diode lights up green</b>	Relay of the module has been turned ON

### Button functions

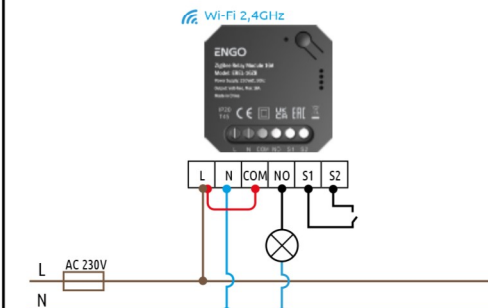
	EXPLANATION
Press 1 time	Control of the modules relay (ON/OFF)
Press and hold approx. 8 seconds until the LED will start flashing red ● ● ● ...	Module reset (module will be removed from the application and automatically will go into pairing mode)

### Connection description

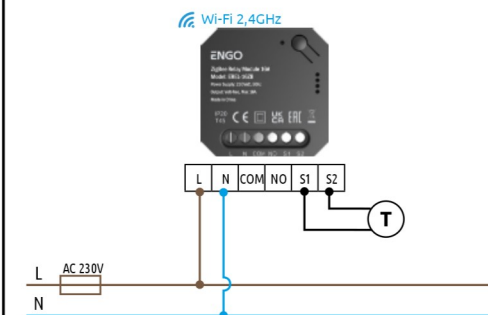
b) Connection diagram for pump/actuator



b) Connection diagram for lighting



c) Connection diagram for temperature sensor



### Legend:

- L, N 230V AC power supply
- PE Ground (electricity)
- Fuse
- Voltage-free output
- Voltage-free input or input for connecting the EFS300 temperature sensor
- Pump
- Temperature sensor
- Light (bulb)
- Valve actuator
- External NO contact sensor

## Installation thermostat in the app

Make sure your router is within range of your smartphone. Make sure you are connected to the Internet. This will reduce the pairing time of the device.

### STEP 1 - DOWNLOAD ENGO SMART APP

Download the ENGO Smart app from Google Play or Apple App Store and install it on your smartphone.

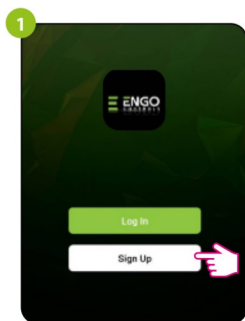


Powered By

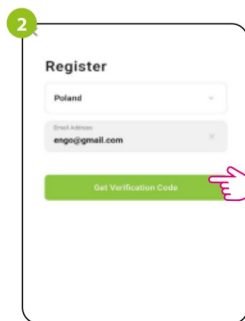


### STEP 2 - REGISTER THE NEW ACCOUNT

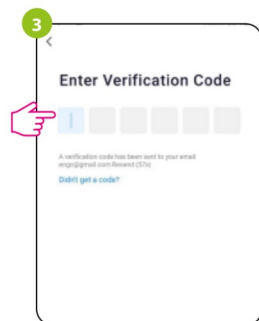
To register a new account, please follow the steps below:



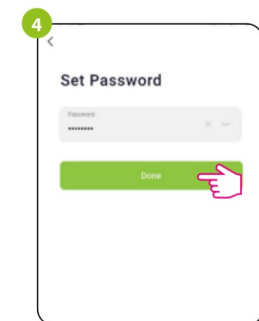
Click „Register” to create new account.



Enter your e-mail address to which the verification code will be sent.



Enter the verification code received in the email. Remember that you only have 60 seconds to enter the code!!



Then set the login password.

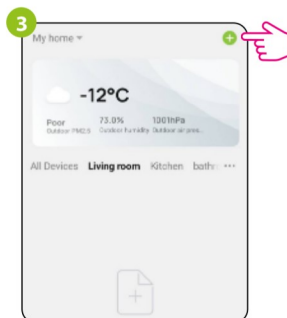
### STEP 3 - CONNECT THE RELAY TO WIFI

After installing the app and creating an account:

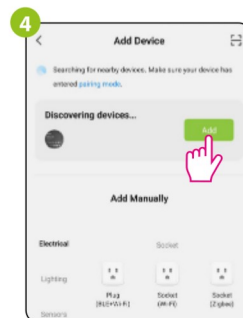


On your mobile device, make sure the ENGO Smart has access to permissions (Location, Bluetooth, Nearby devices). Then turn on Bluetooth and Location. Connect to 2.4GHz Wi-Fi network to which you want to assign the device.

Make sure the relay is connected to the power supply. Red LED should flash quickly. If not, hold down the button for about 8 seconds. The relay will enter pairing mode.



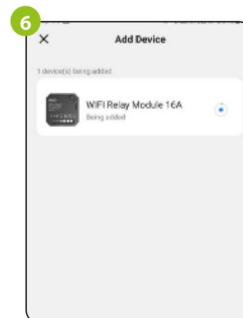
In the app, select „Add Device”.



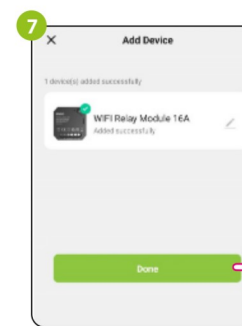
After finding the module, go „Add”.



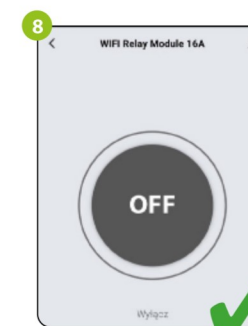
Select the Wi-Fi network in which the device will operate and enter the password of this network



Wait for the app to configure the module with the selected Wi-Fi network



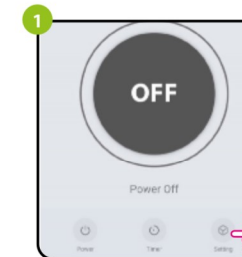
Go „DONE”.



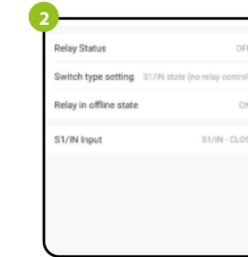
The module has been installed and displays the main interface.

### External temperature sensor connection

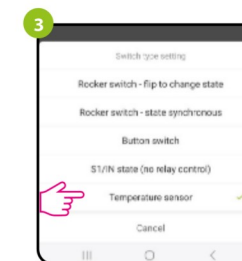
Contacts S1/S2 can be used to connect the EF5300 temperature sensor. To activate the sensor, follow the steps below:



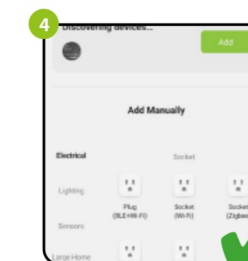
Make sure the sensor is connected. Then go to „Settings”.



Click „Switch type setting”.



Select „Temperature sensor”.



The measured temperature value appeared on the relay main screen.

### Factory reset

To reset the device, press and hold the function button for approx. 8 seconds until the LED flashes red. The relay will be removed from the application, then goes into pairing mode. Now it's possible to add the relay again (see STEP 3 - CONNECT THE RELAY TO WIFI).

