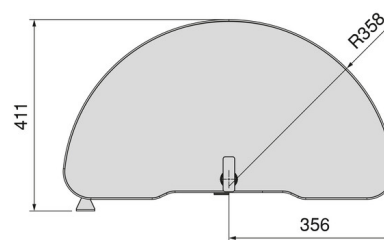
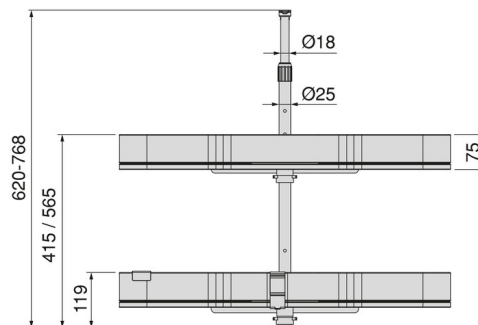


Harmony 1/2 circle rotating trays, Module width 800mm, Height adjustable, Steel and Wood, Anthracite grey

SKU 8383235 / EAN 8432393341767



M	Packaging	Finishing	SKU
800	1 Unit	Anthracite grey 	8383235

Product features

- Set of revolving trays for corner cabinets, designed in a half-moon shape that rotate smoothly to provide easy access to utensils, food or small appliances.
- Each tray has a load capacity of 20 kg (2 x 20 kg), ideal for easy access and for making the most of the space in kitchen furniture.
- Designed for modules with a width of 800 mm, minimum depth of 500 mm and adjustable height from 700 to 800 mm. Suitable for panels 16, 18 or 19 mm thick.
- The lower tray can be automatically pulled out when opening the door, making access easier. Its assembly is quick and simple, designed to integrate perfectly into any kitchen.
- Made of steel with an anthracite grey finish and trays with a wood-effect melamine base, resistant and easy to clean. Also includes the screws for installation.

Components

2 trays, mounting screws

Product description

The **Harmony tray set** by Emuca is the perfect solution for making the most of the space in kitchen corner cabinets. This accessory maximises storage, offering both a functional and aesthetic solution.

Thanks to its **half-moon shape**, the trays rotate smoothly to provide easy and convenient access to utensils, food or small appliances. In addition, the lower tray can be automatically pulled out when opening the door, making access easier.

It supports a **load capacity of 20 kg per tray (2 x 20 kg)**, ideal for easy access and for maximising space in kitchen furniture.

It is designed for easy installation in cabinets with a width of 800 mm, a minimum depth of 500 mm and an adjustable height from 700 to 800 mm. Suitable for panels 16, 18 or 19 mm thick.

Made of durable steel with an **anthracite grey finish and trays with a wood-effect melamine base**, it includes the mounting screws. It combines durability and sophistication, adding a modern touch that enhances any kitchen design.

Product benefits

For manufacturers, this is a practical and efficient solution for projects where every centimetre counts. Compatible with 800 mm wide units, minimum 500 mm depth, and adjustable height between 700 and 800 mm, this system easily fits 16, 18 or 19 mm boards. The automatic pull-out mechanism for the lower tray enhances user experience without increasing integration costs.

Wholesalers and distributors will appreciate its ease of installation and high functional value for the end user. With 20kg load capacity per tray (2 x 20kg) and an anthracite grey design with wood-effect melamine, it's a key piece for promotional campaigns, point-of-sale displays, or catalogues offering smart kitchen solutions.

For carpenters and hardware stores, this tray set is an appealing option for renovations in compact spaces. Quick and easy to assemble, with soft-close and smooth tray rotation, it installs effortlessly without special tools, adding immediate value to bespoke installations.

In e-commerce and marketplaces, this product stands out for its functional yet elegant design. The half-moon-shaped trays optimise space visually, and its clear technical presentation makes it ideal for product listings focused on conversion. Perfect for omnichannel strategies including dropshipping or direct sales.

Documentation

Sketch Assembly instructions

Frequently asked questions

Is it compatible with boards of different thicknesses?

Yes, it is compatible with 16, 18 and 19 mm side panels, which makes it easy to integrate into standard kitchen furniture.

What are the minimum requirements for installation in kitchen cabinets?

Requires a unit with a width of 800 mm, height of 620–768 mm, and a minimum depth of 500 mm. Compatible with 16, 18 and 19 mm thick panels. Supplied with drilling template and screws for easy installation.

What is the maximum load it can bear and how is it distributed?

The system is designed to support up to 20 kg of load per tray (2 x 20 kg), making it ideal for storing utensils, small appliances and other kitchen items.

What is the maximum load it can bear and how is it distributed?

The shaft is easily fixed to the module thanks to its height adjustment, allowing for quick installation with the screws included in the kit.