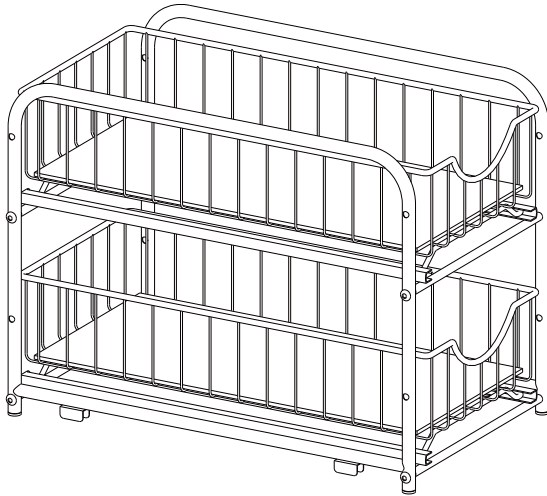


# KCS017



## General Guidelines

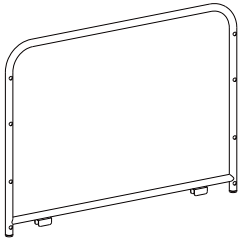
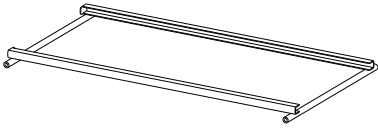
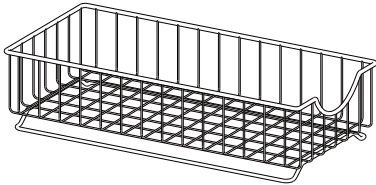
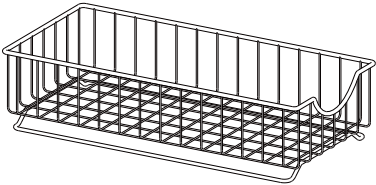
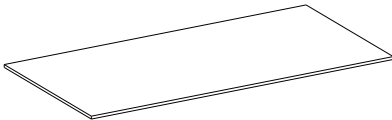
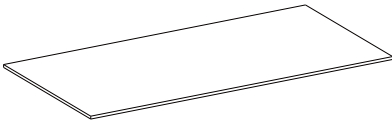
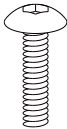
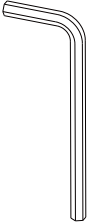
- Please read the following instruction carefully and use the product accordingly.
- Please keep this manual and hand it over when you transfer the product.
- This summary may not include every detail of all variations and considered steps. Please contact us when further information and help are needed.

## Notes

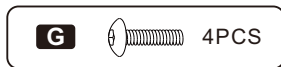
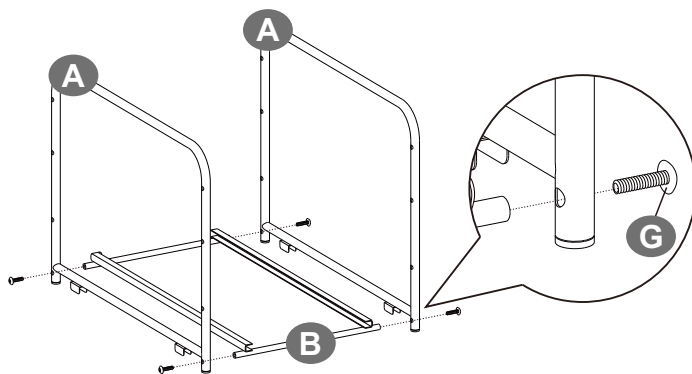
- 4 clips under the base enable the product to stack vertically as you like.
- The max. static load capacity of each shelf is 10 kg (22 lb). Please do not exceed its weight limit.

## Warnings

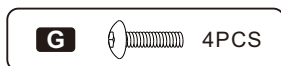
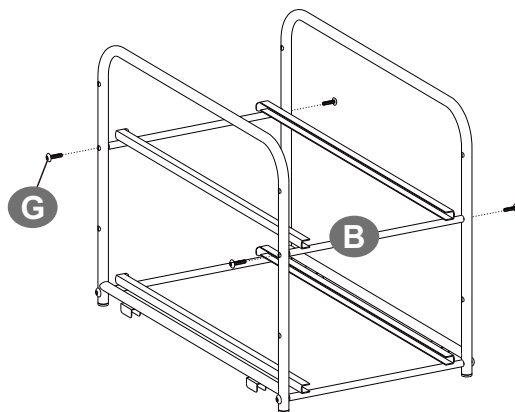
- Children are not allowed to climb on or drag the product to avoid potential personal injury caused by the product tipping over.
- Clean the product with a damp cloth or mild detergent; don't use corrosive or abrasive cleaner.
- Place heavier items on the lower shelf to avoid tipping over.

<p><b>A</b> × 2</p> 	<p><b>B</b> × 2</p> 
<p><b>C</b> × 1</p> 	<p><b>D</b> × 1</p> 
<p><b>E</b> × 1</p> 	<p><b>F</b> × 1</p> 
<p><b>G</b> × 8</p> 	<p><b>H</b> × 1</p> 

1



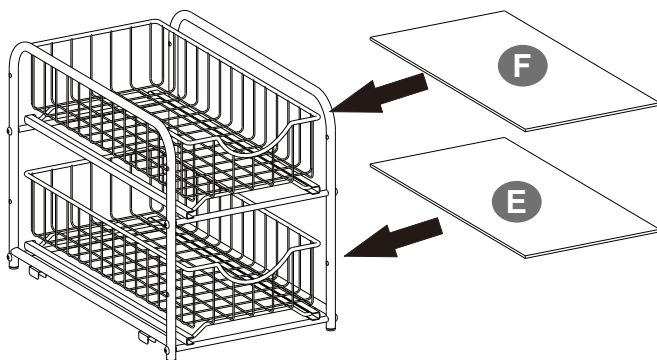
2



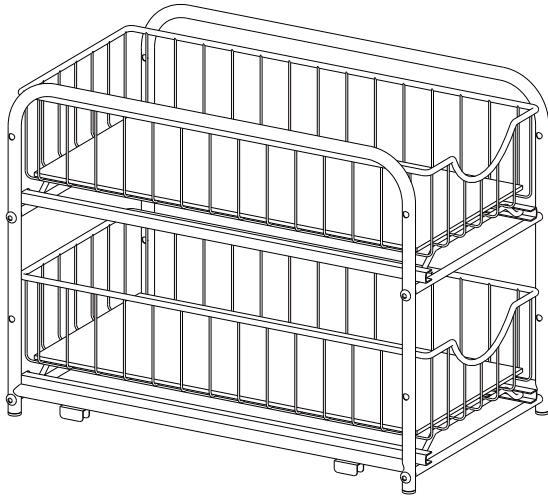
3



4



5





- When you have 2 of these racks, you can stack them together as you like.

