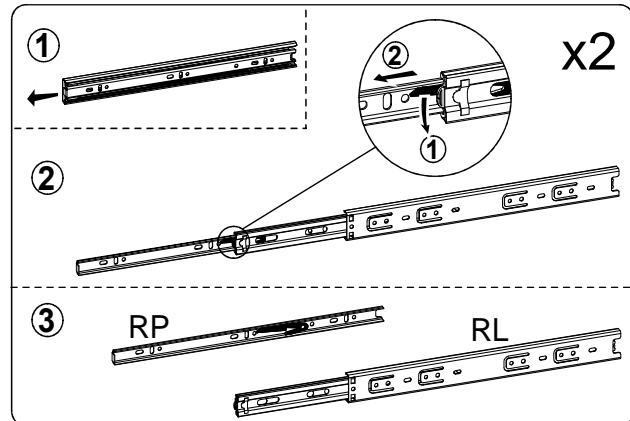


8x30 D 28	A 24	B 24	X 24	MS 1
I 6	K 4	Q 1	4x16 H 1	4.0x30 H4 8
5.0x13 F1 8				

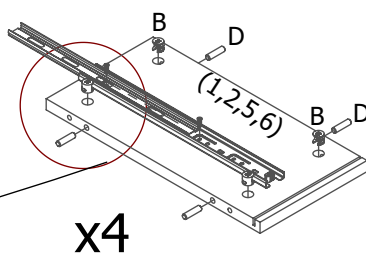
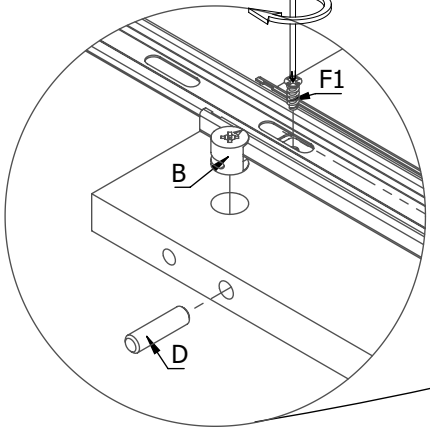
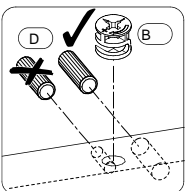
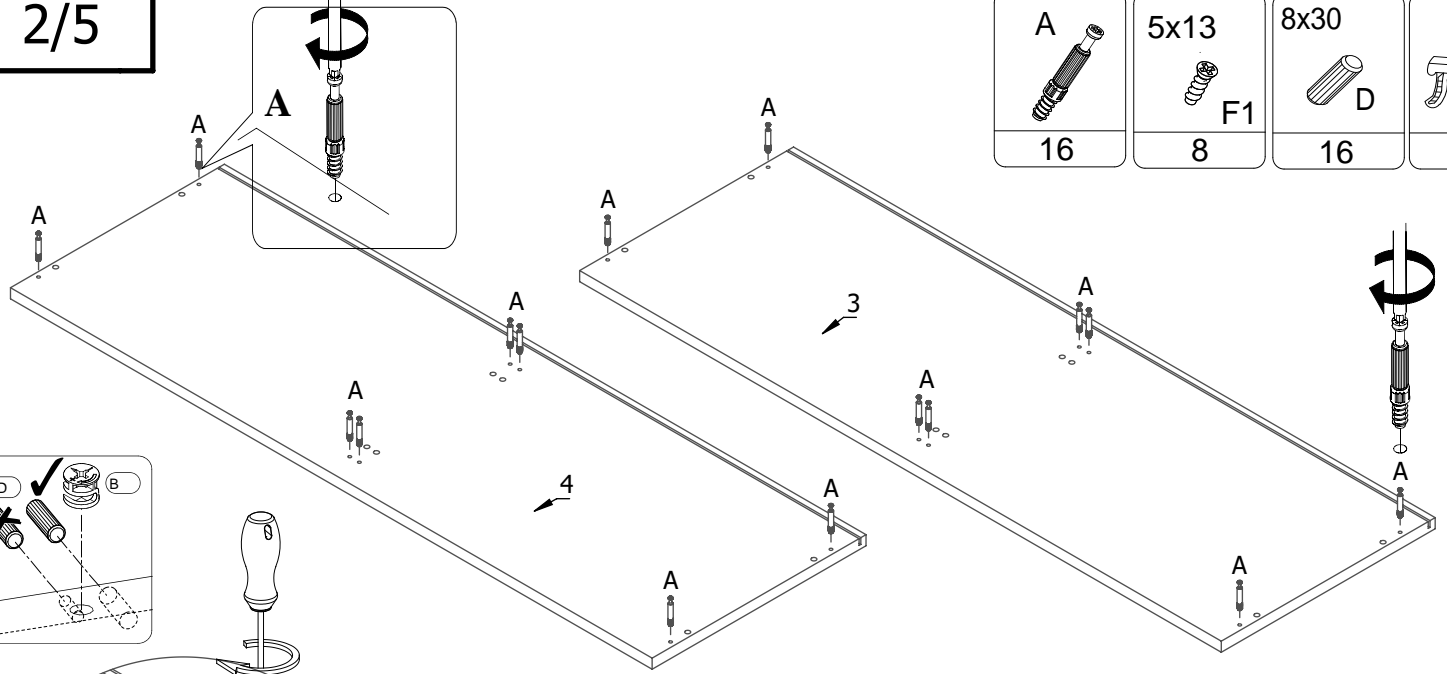


A	5x13	8x30	B
16	8	16	16

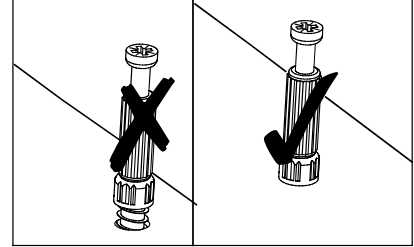
5x13	8x30
8	16

8x30	B
16	16

B
16



x4



5.0x13	K
8	4

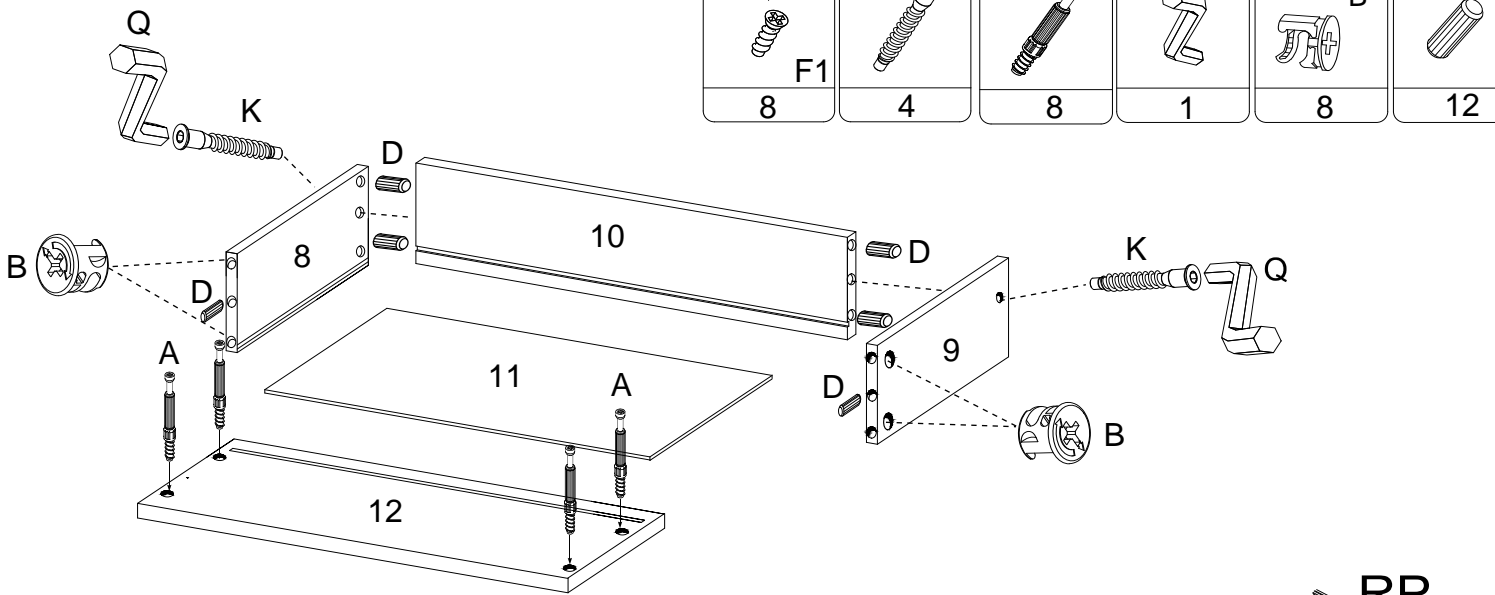
K
4

A
8

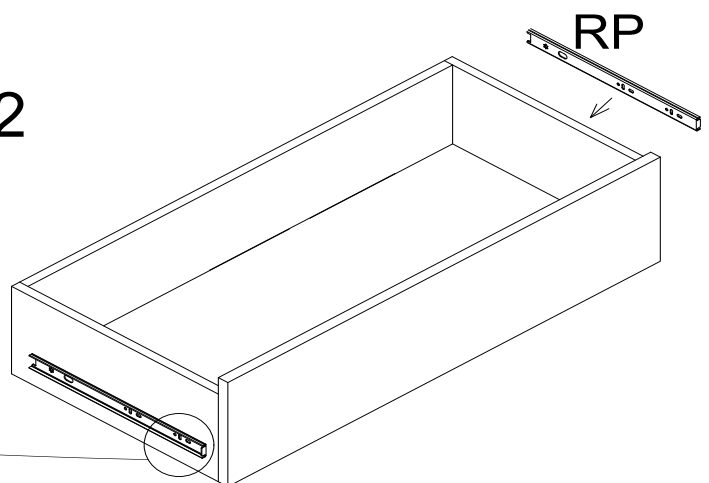
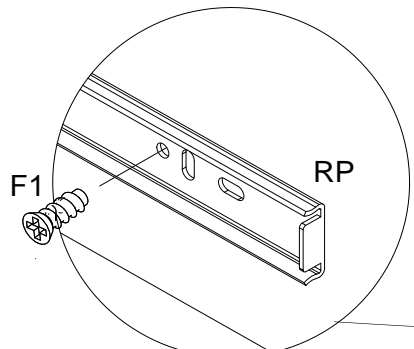
Q
1

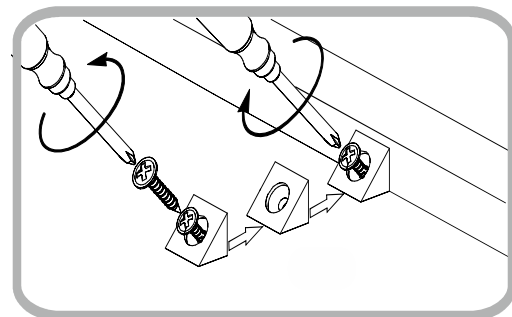
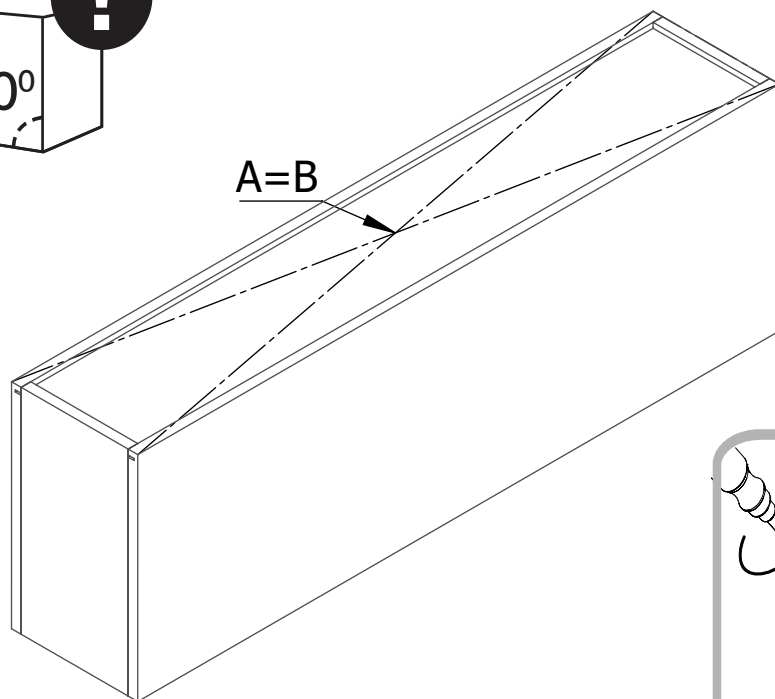
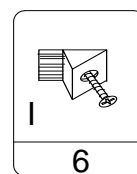
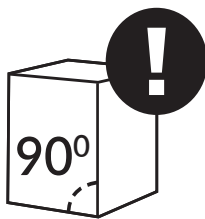
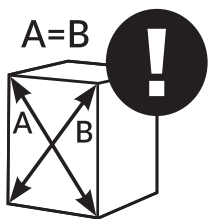
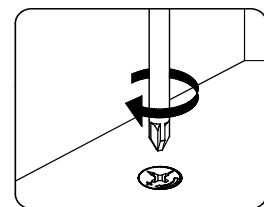
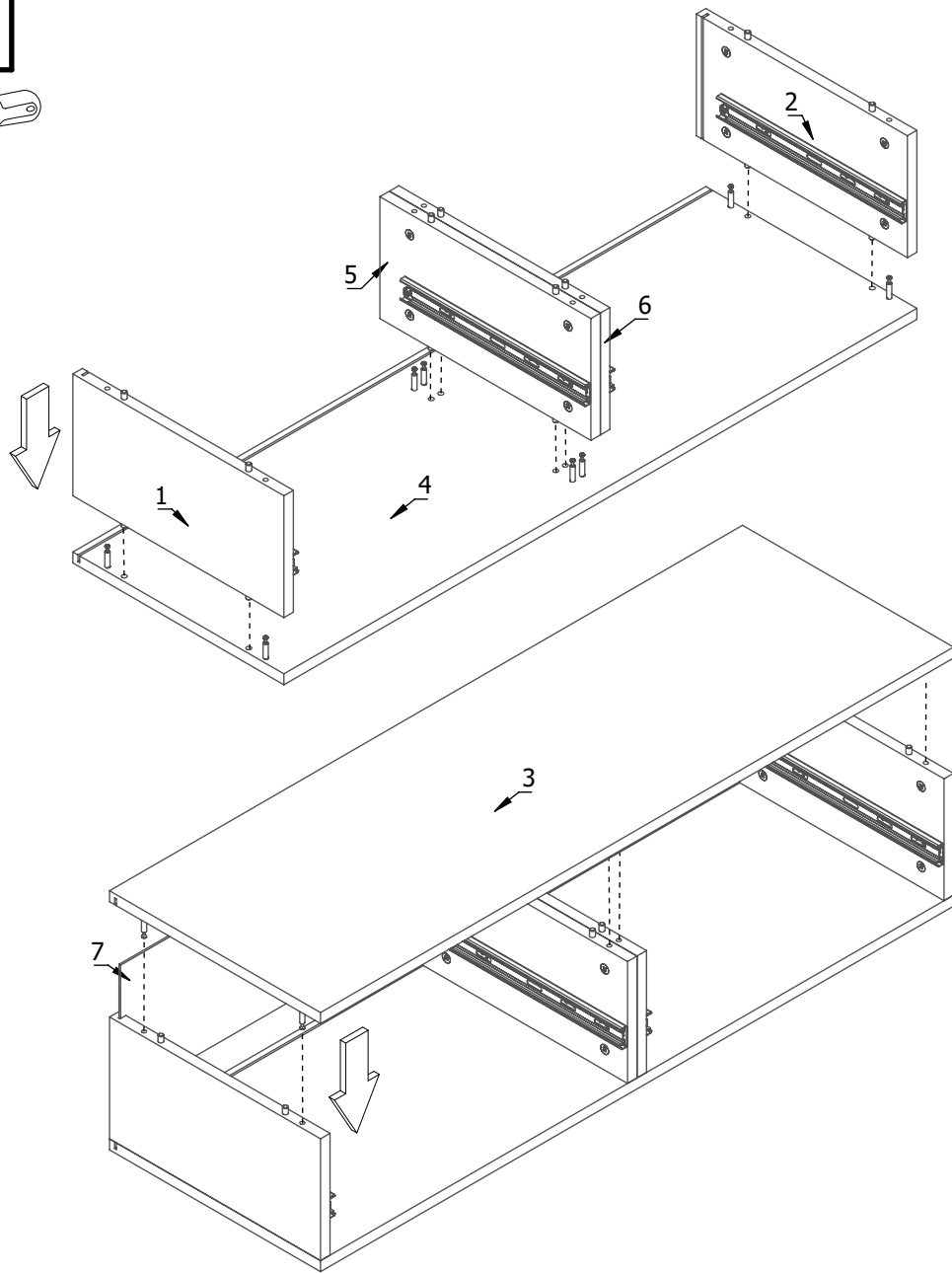
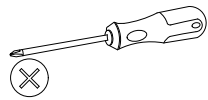
B
8

8x30	D
12	12

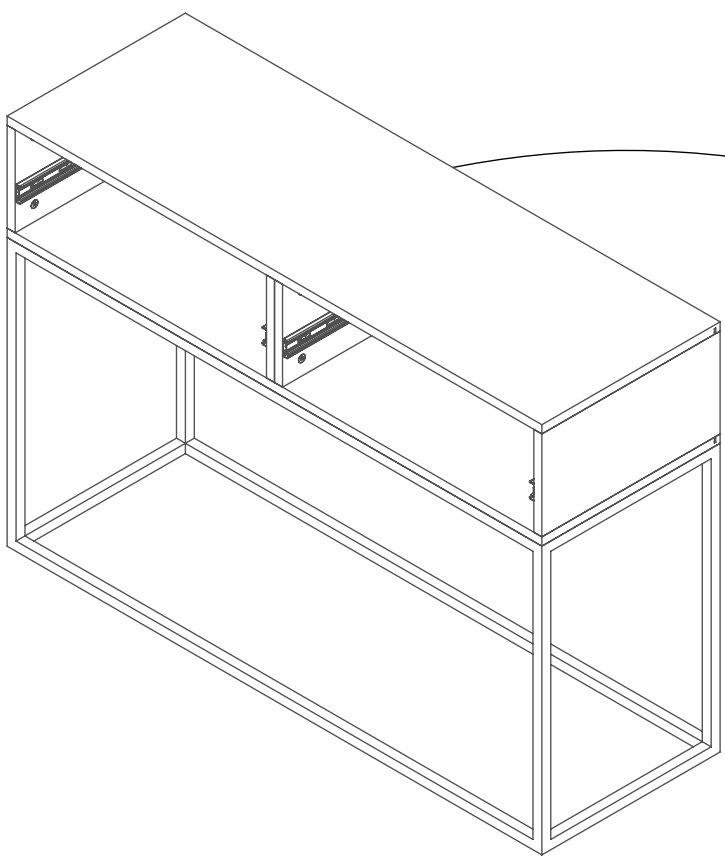
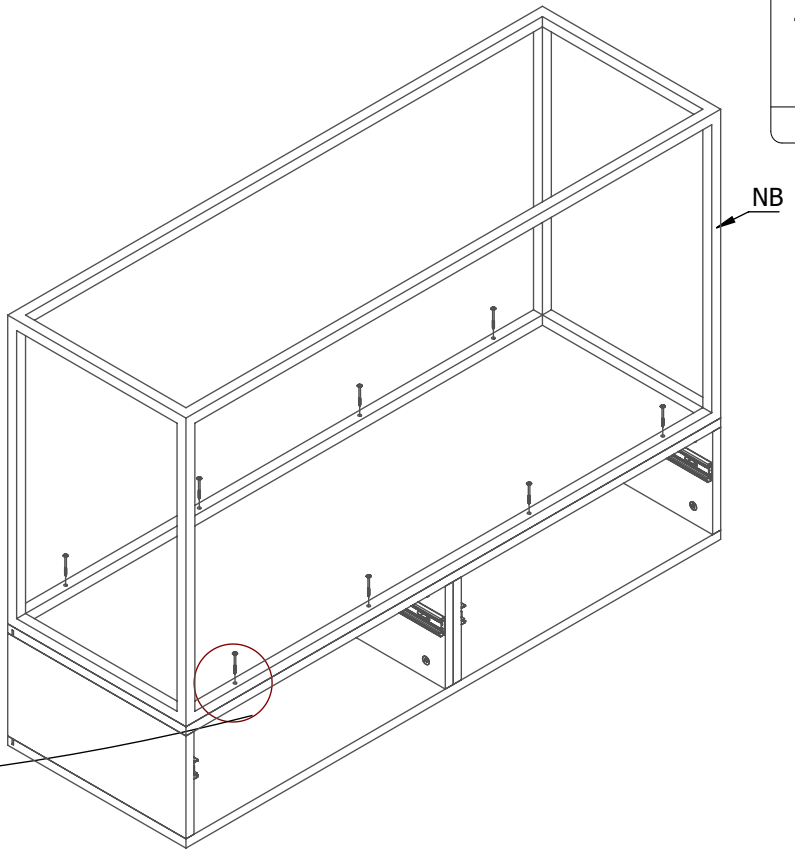
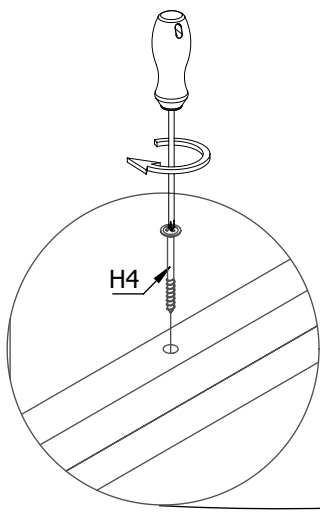



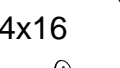
x2





4.0x30
H4
8



 MS 1	 4x16 H 1
--	---

