



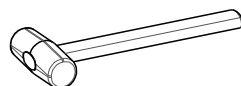
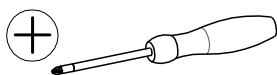
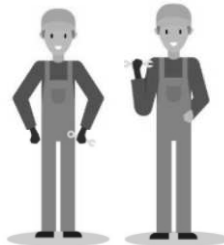
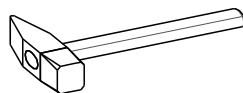
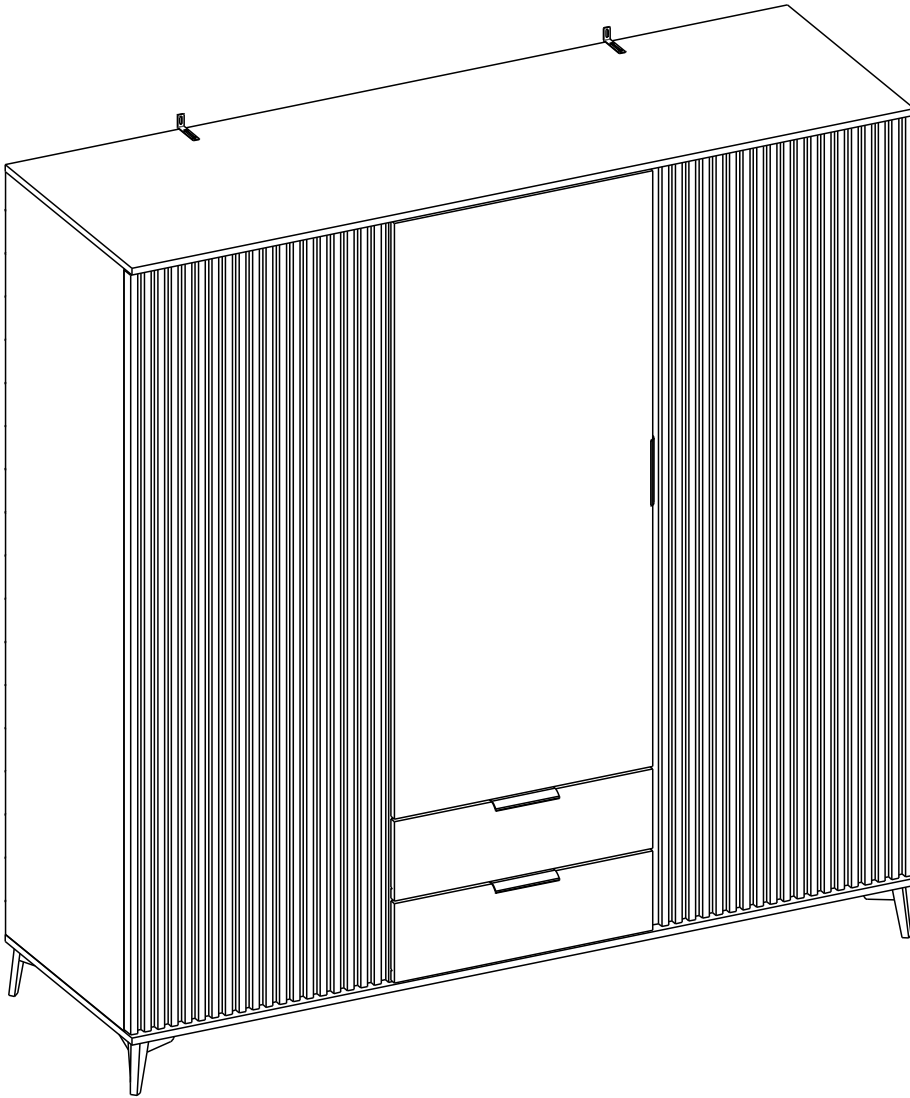
ENTSIAN szafa 185



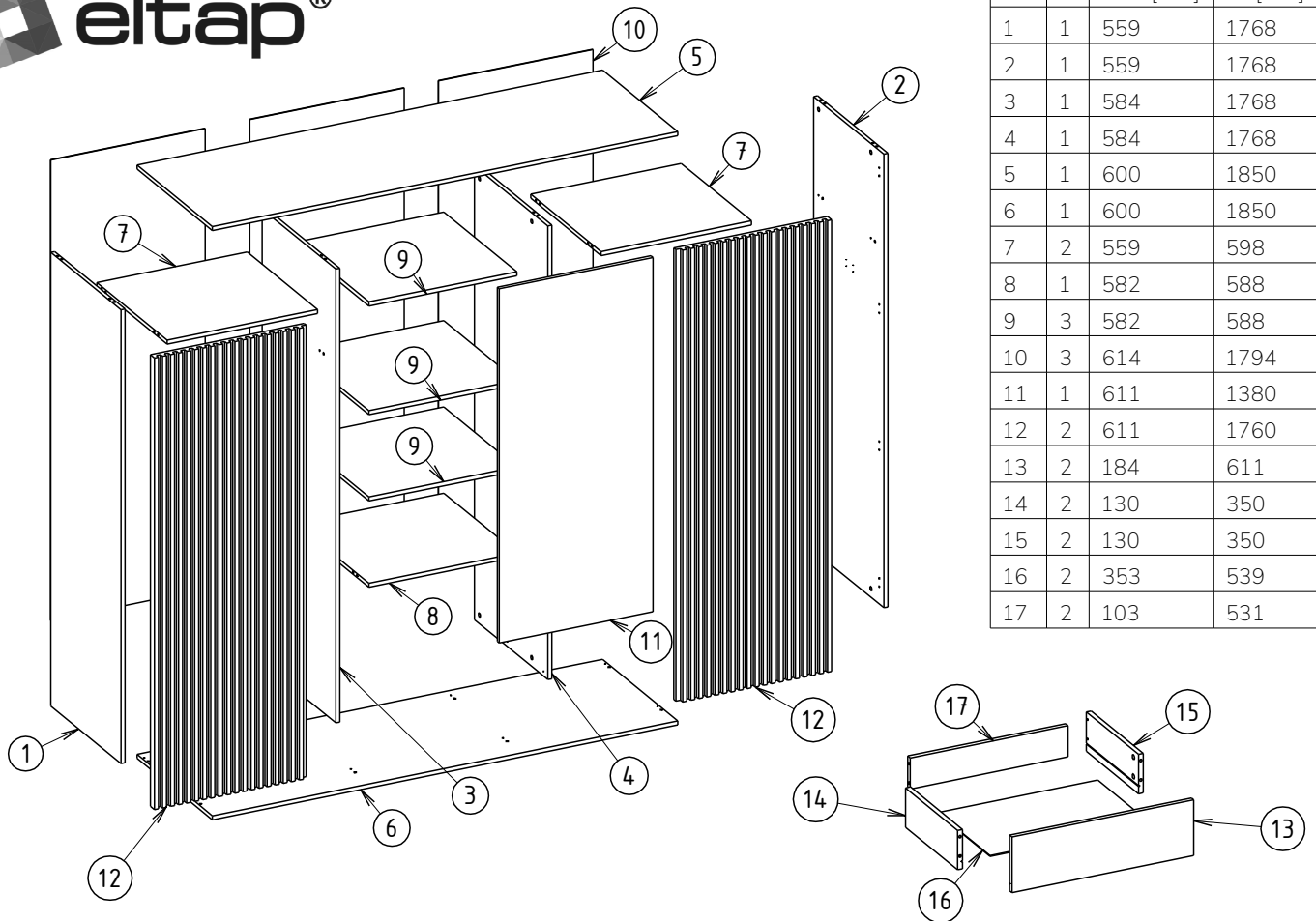
scan QR code



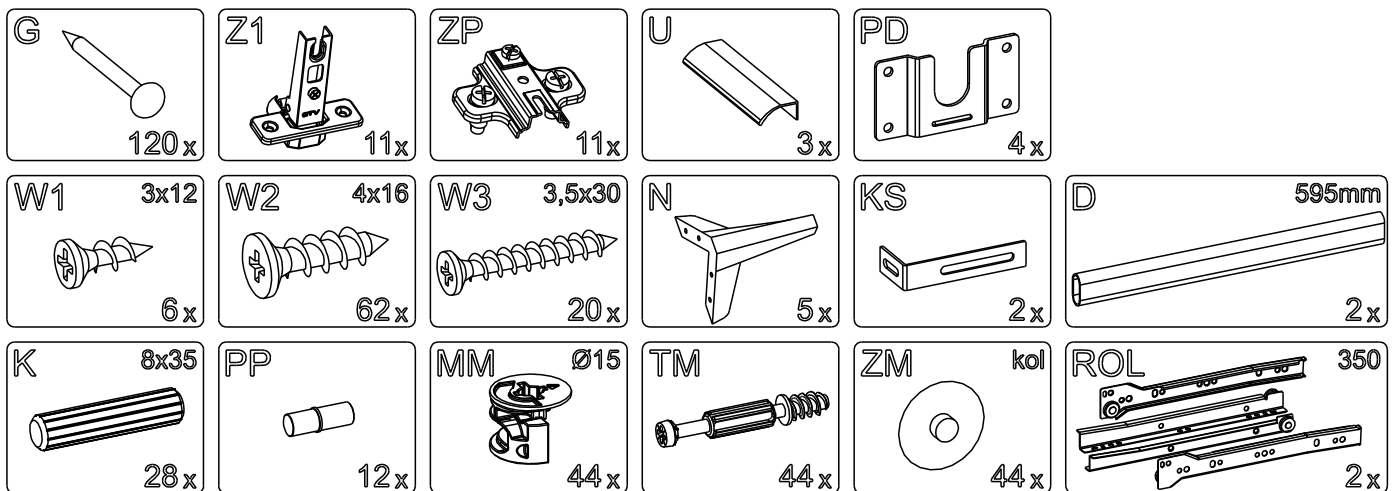
complete
instruction for
assembling
the furniture



120min



| NR | il. | szer. [mm] | dt. [mm] |
|----|-----|------------|----------|
| 1 | 1 | 559 | 1768 |
| 2 | 1 | 559 | 1768 |
| 3 | 1 | 584 | 1768 |
| 4 | 1 | 584 | 1768 |
| 5 | 1 | 600 | 1850 |
| 6 | 1 | 600 | 1850 |
| 7 | 2 | 559 | 598 |
| 8 | 1 | 582 | 588 |
| 9 | 3 | 582 | 588 |
| 10 | 3 | 614 | 1794 |
| 11 | 1 | 611 | 1380 |
| 12 | 2 | 611 | 1760 |
| 13 | 2 | 184 | 611 |
| 14 | 2 | 130 | 350 |
| 15 | 2 | 130 | 350 |
| 16 | 2 | 353 | 539 |
| 17 | 2 | 103 | 531 |



ELTAP Spółka z ograniczoną odpowiedzialnością Sp.k.
 Mroczeń 203, 63-604 Baranów
www.eltap.com