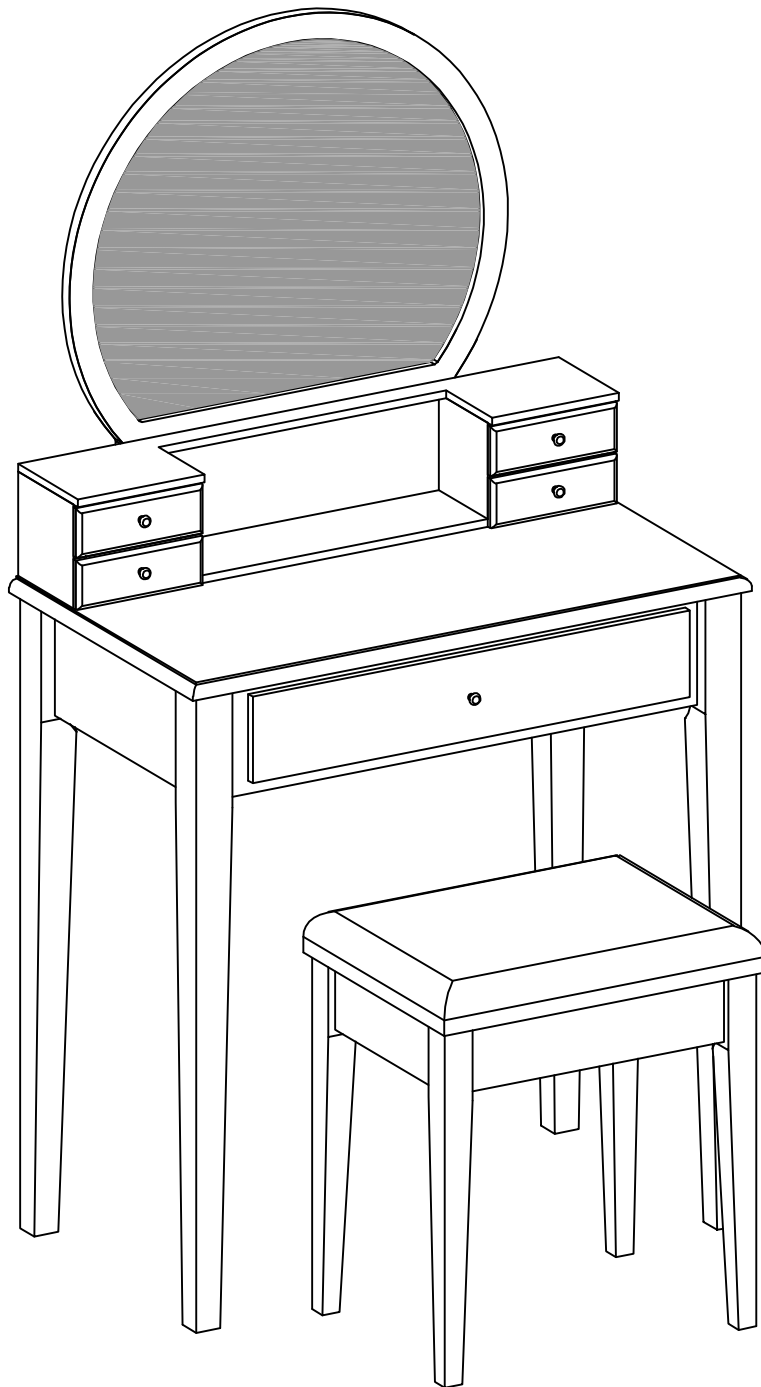


RDT152



General Guidelines

- Please read the following instruction carefully and use the product accordingly.
- Please keep this manual and hand it over when you transfer the product.
- This summary may not include every detail of all variations and considered steps. Please contact us when further information and help are needed.

Notes

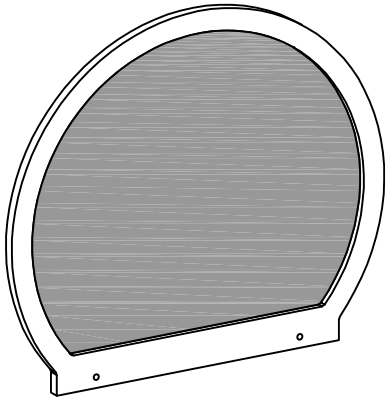
- This product is only intended for home use. The seller does not take any responsibility for damage or injury if user disregards this instruction.
- Please fix the product to the wall with the safety strap provided in case of toppling. Because construction materials vary, please consult a local professional for the most suitable way to fix your product to the wall.
- Prior to assembly, please check the product for defects or missing parts. Do not place unwrapped product directly on the floor to avoid paint peeling.
- It is recommended that the product be assembled by two people. Please assemble the product on soft surface to avoid damage to the product.
- Semi-tighten all screws in each of their desired positions, then fully tighten them.
- Do not tighten screws with an electric drill as it may cause damage. Please use a screwdriver (not provided) only.
- After assembly, place the product in the ventilated place for a few days.
- Please check screws, bolts and connecting points periodically and retighten if necessary.
- Keep product surfaces away from sharp objects and corrosive chemicals.
- Protect the surfaces from heat sources and liquids with mats and coasters. Wipe off spilled liquids immediately. Put a pad under the paper when you write on it.
- Do not expose the product to strong sunlight and humidity in case of accelerated aging of lacquer and distortion.
- Do not place heavy objects on the product or shake it in case of distortion and paint peeling.
- Please seek assistance when moving the product. Do not pull or drag the product in case of damage or injury.
- Please fully disassemble the product when moving it to other places (such as moving to a new home) to prevent damage or injury. Please keep all original parts for reassembly.
- Please fully clean the product by cloth with a neutral detergent and wipe it with soft cloth.

Warnings

- Toppling of the product may cause severe or fatal injury.
- Stop using the product if any parts are missing or damaged.
- Children could only use the product under adult supervision. It is forbidden children to climb or play on the product to prevent body injury caused by toppling or mirror breaking.
- During the assembly, keep any small parts out of the reach of children in case of fatal danger caused by swallowing or inhalation.
- Keep all parts of packaging materials (films, plastic bags, foam boards, etc.) out of reach of children, especially toddlers and babies to avoid any potential danger (such as suffocation).

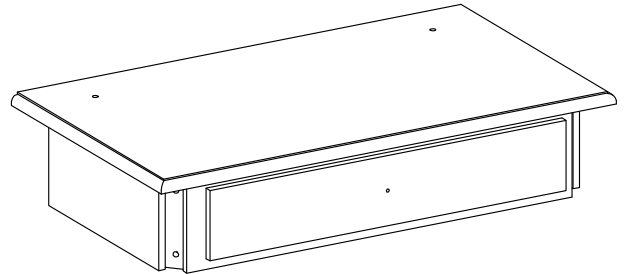
A

× 1



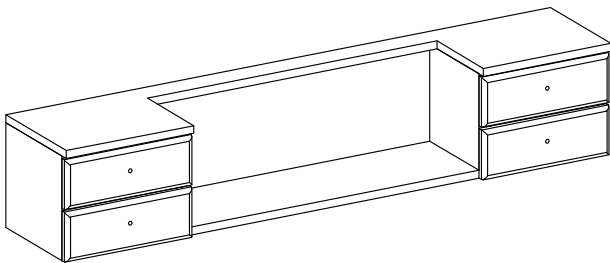
B

× 1



C

× 1



F

× 4



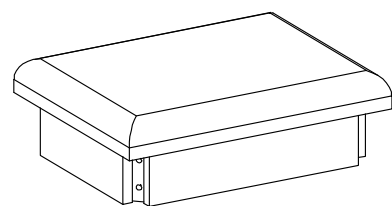
G

× 4



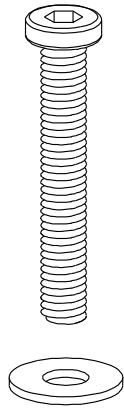
H

× 1



Y640

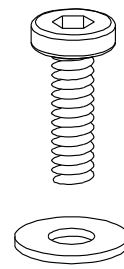
× 16



1/4" x 1 5/8"

Y625

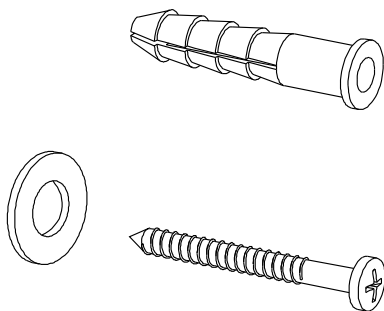
× 4



1/4" x 1"

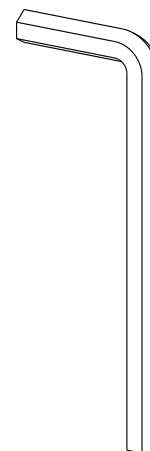
P

× 1

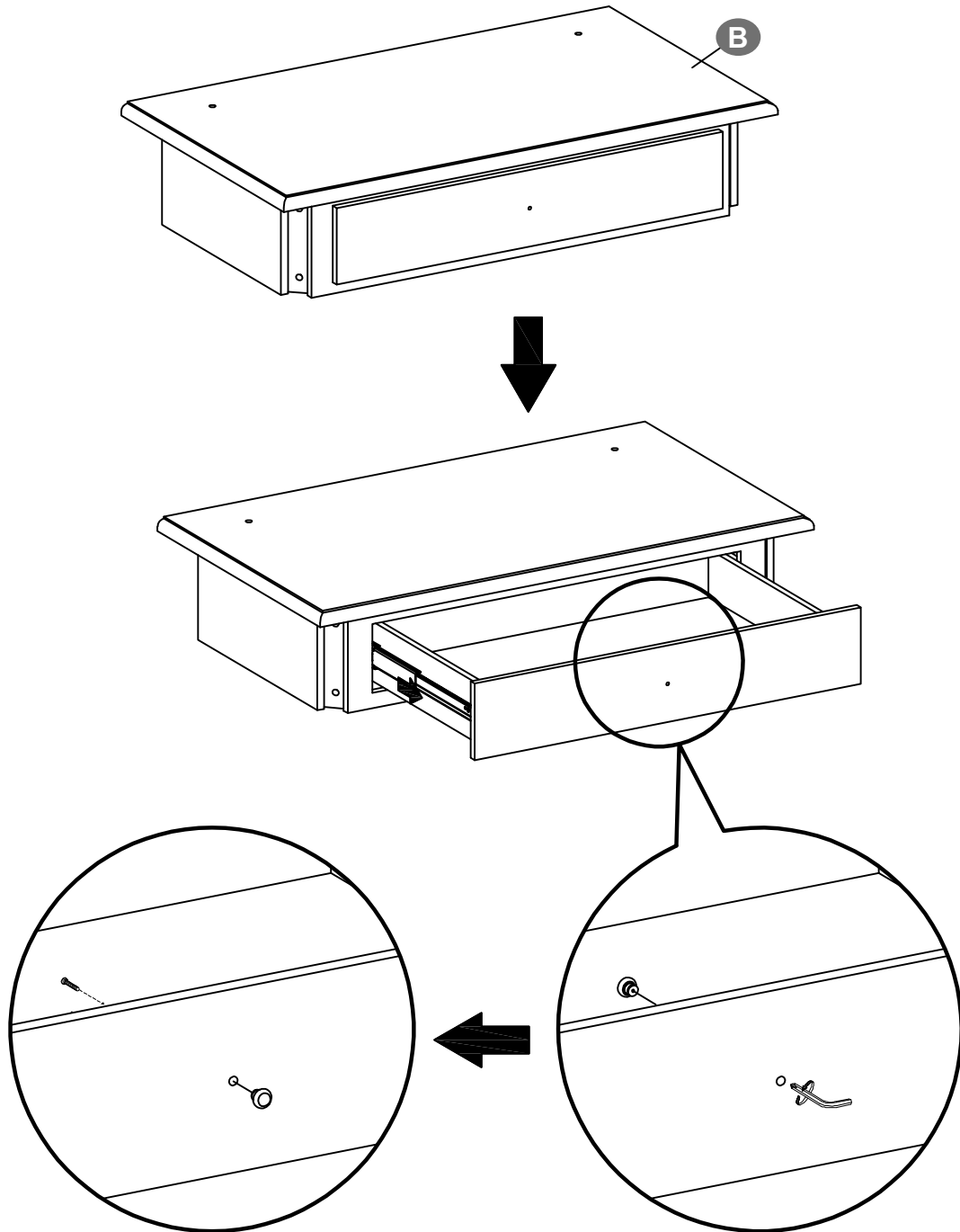


L

× 1

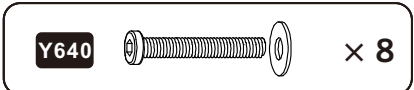
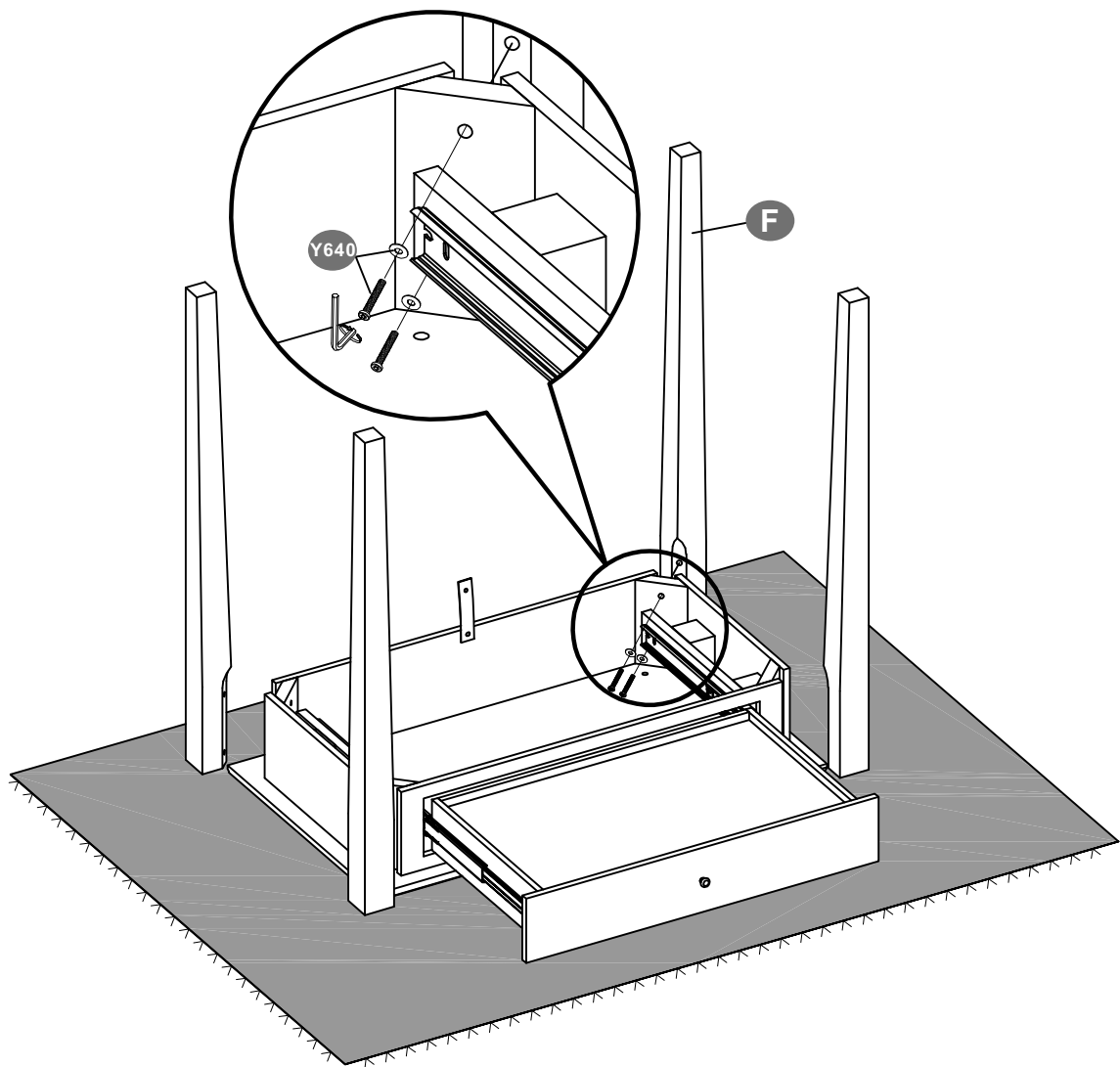


1

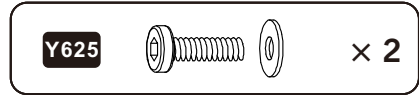
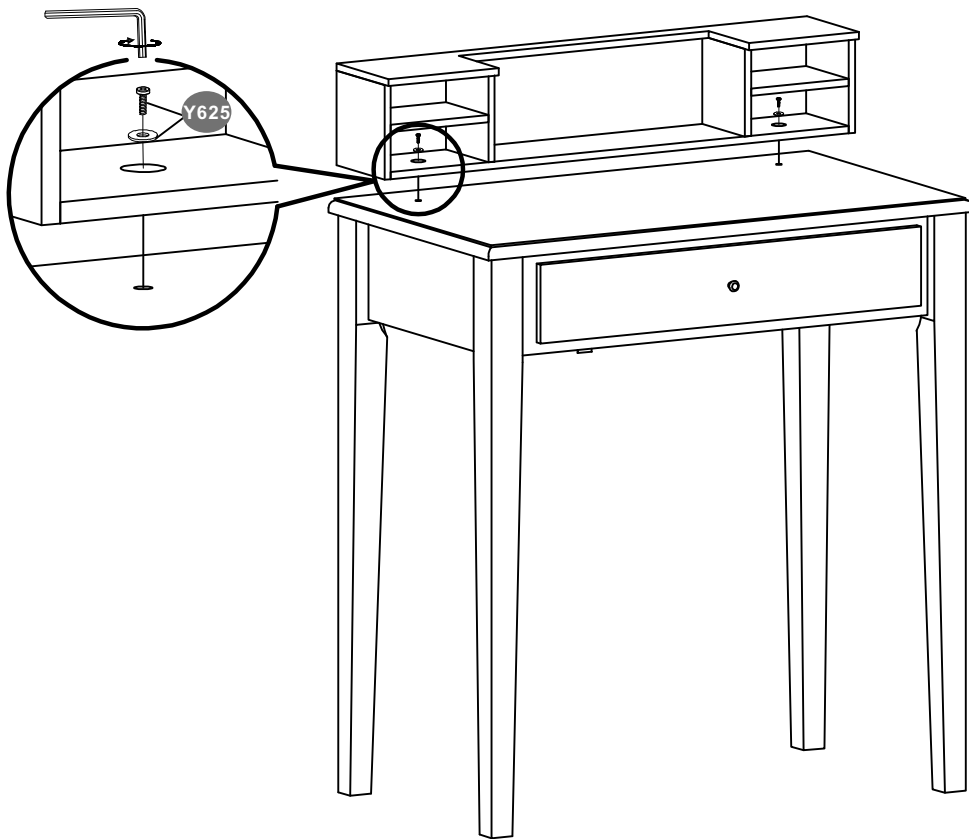
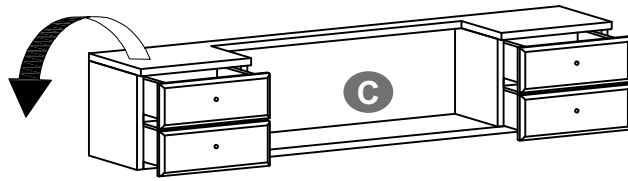


2

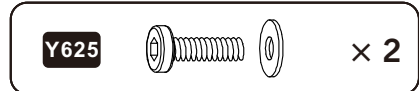
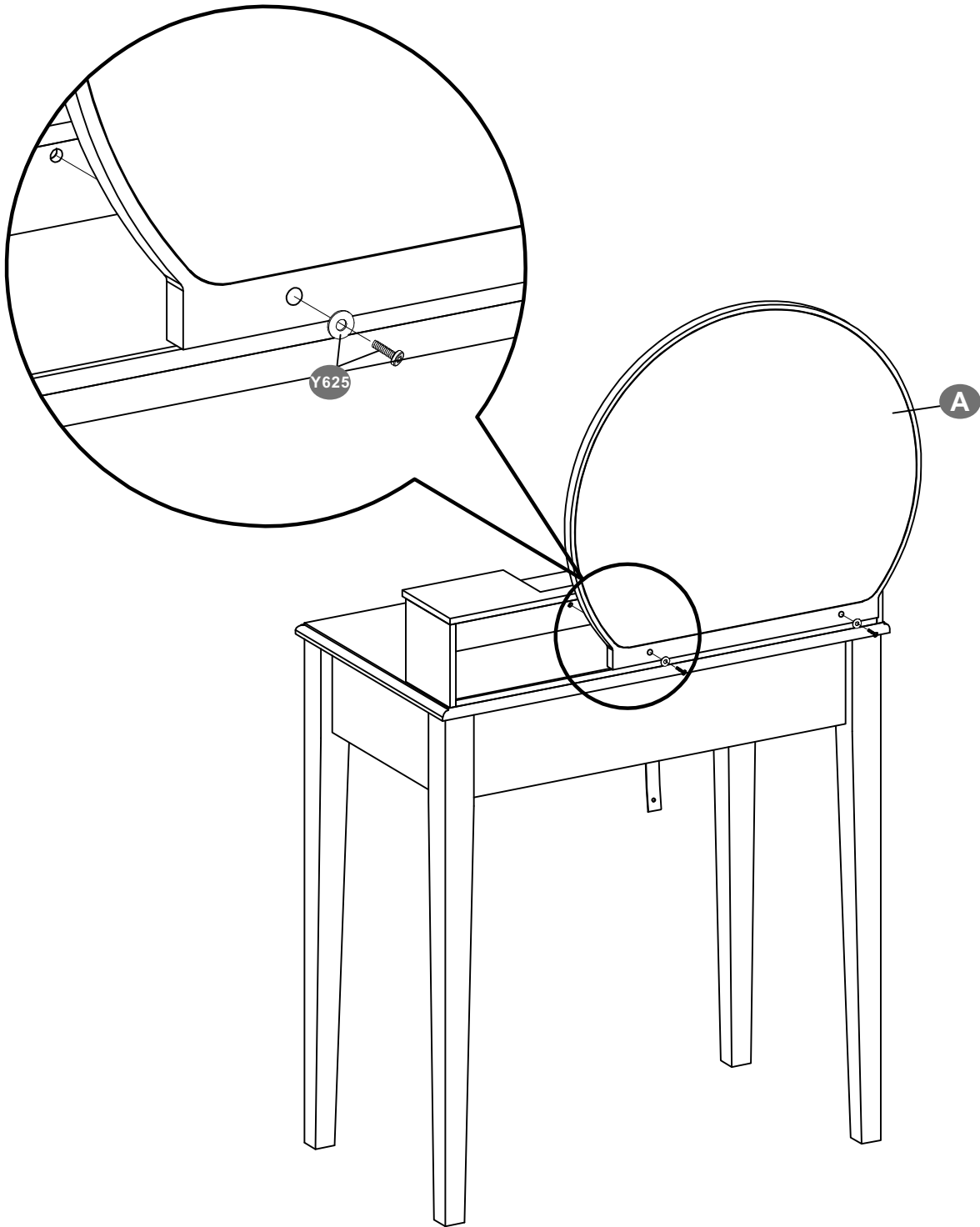
Place the table on a soft surface to prevent scratches.



3

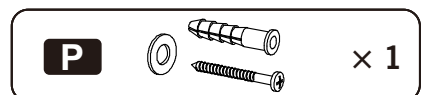
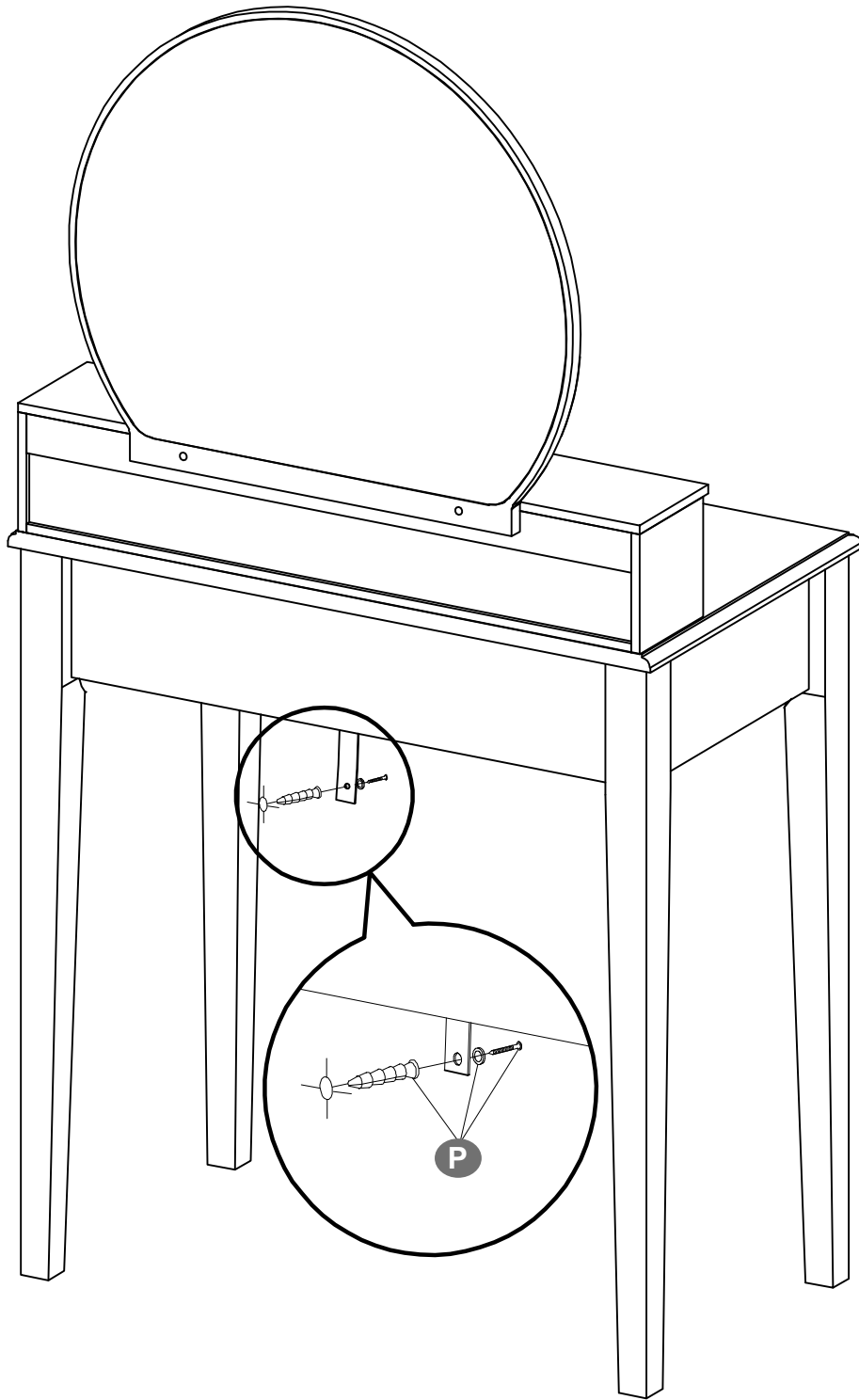


4

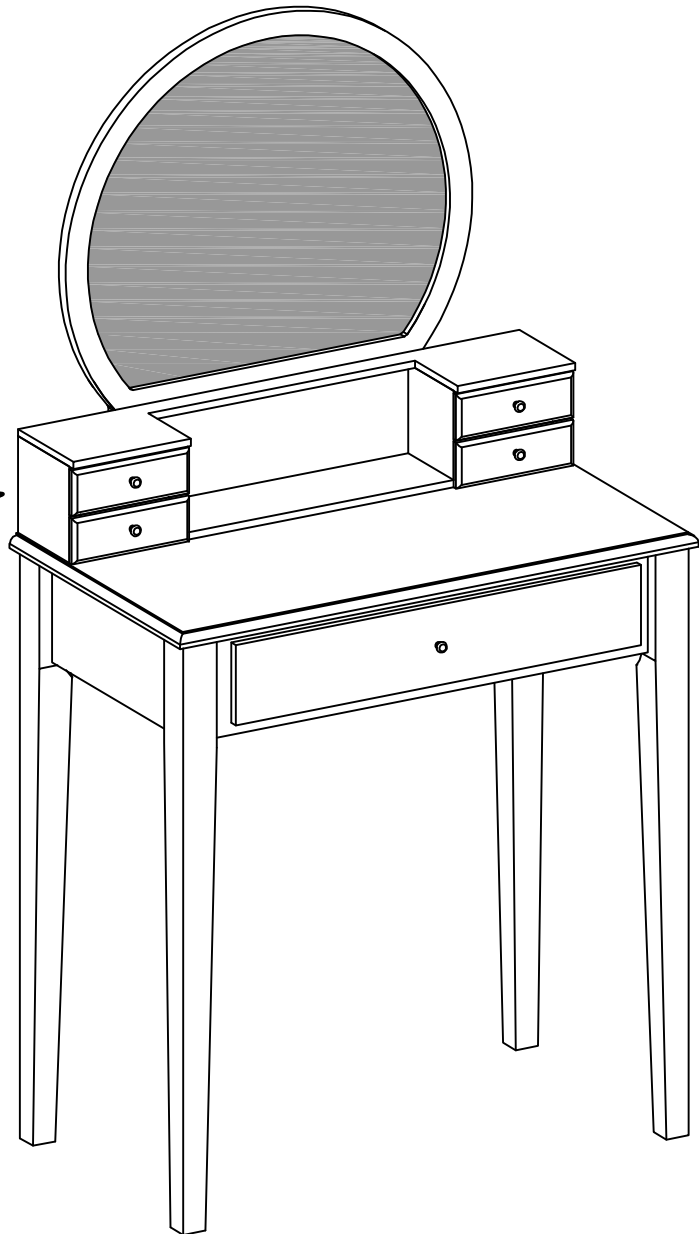
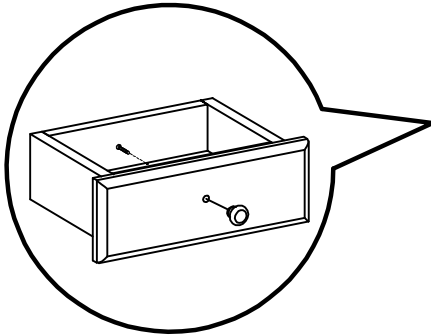
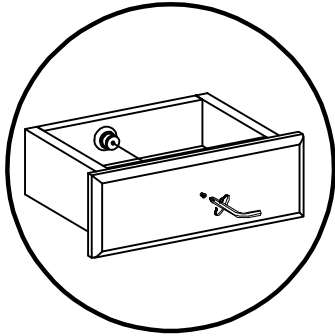


5

Please fix the table to the wall with strap to prevent table tipping over.



6



7

