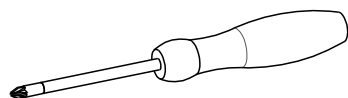
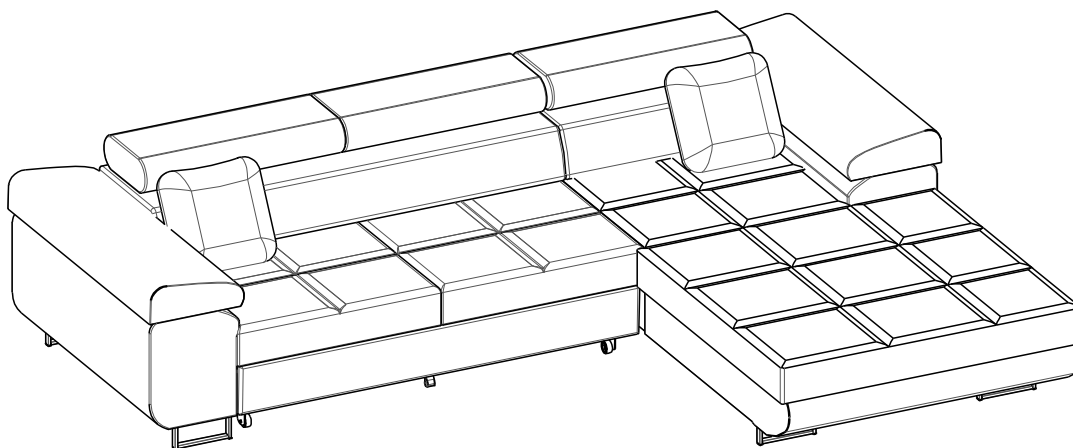
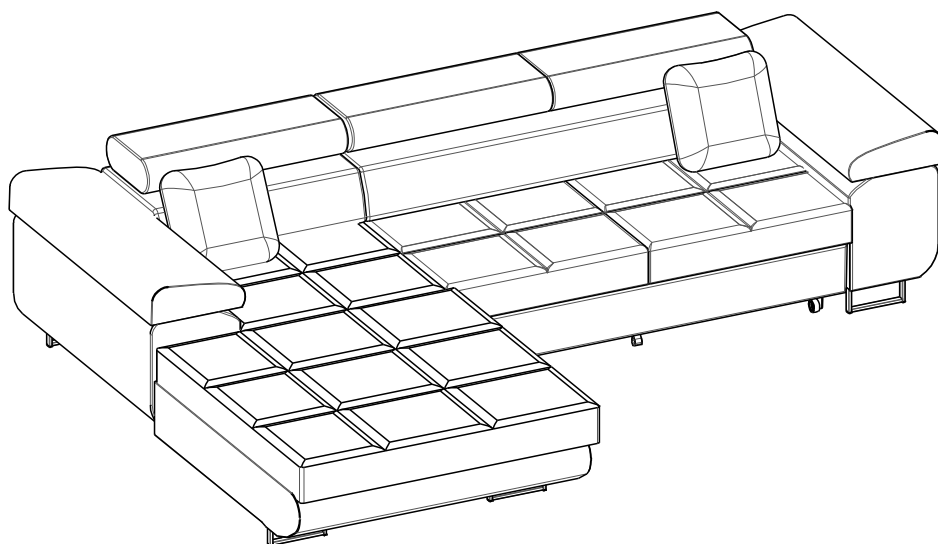
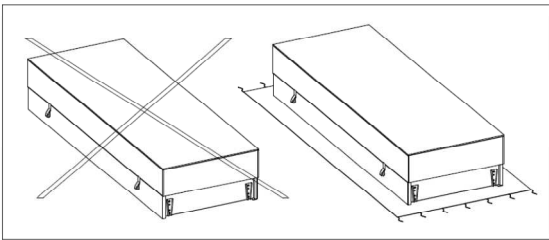


ARMANDO



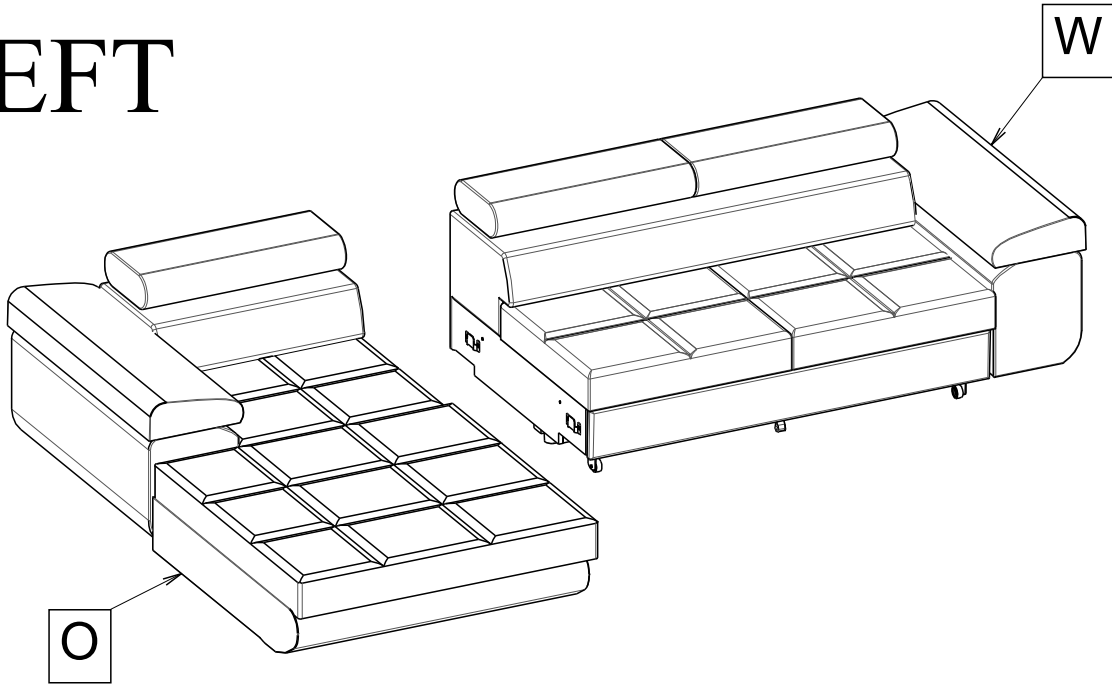
25min

1/8

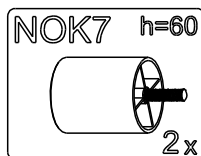
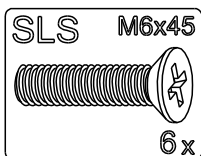
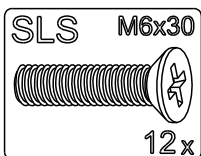
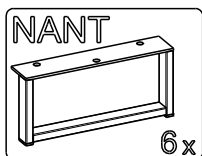
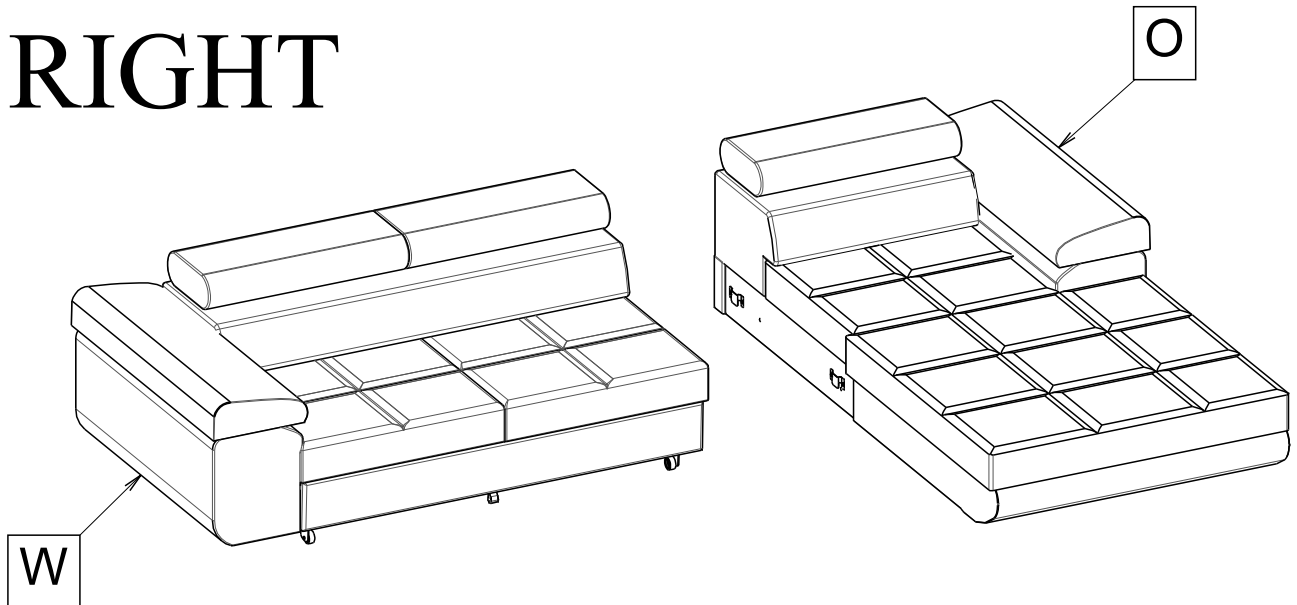


O	1x
W	1x

LEFT

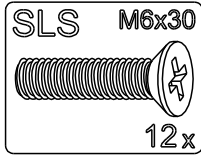
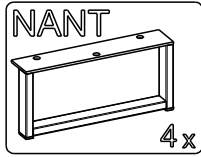


RIGHT



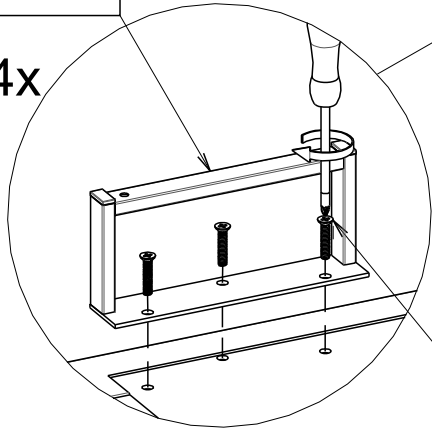
LEFT

1

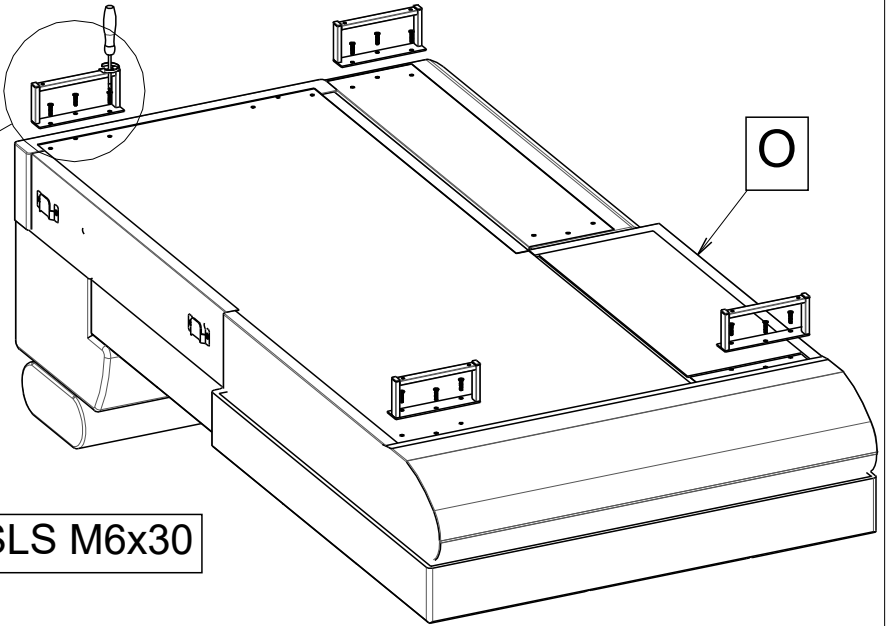


NANT

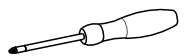
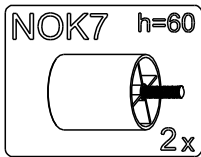
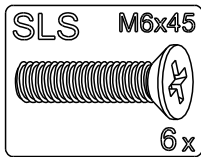
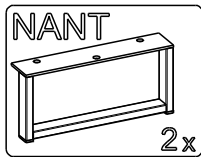
4x



SLS M6x30

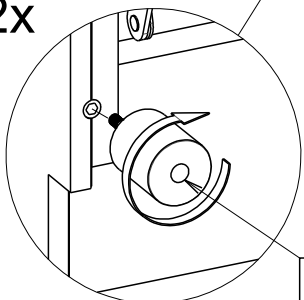


2



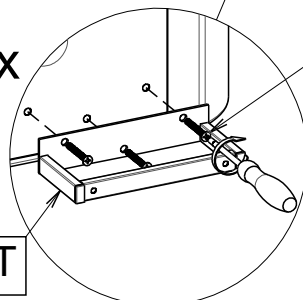
W

2x



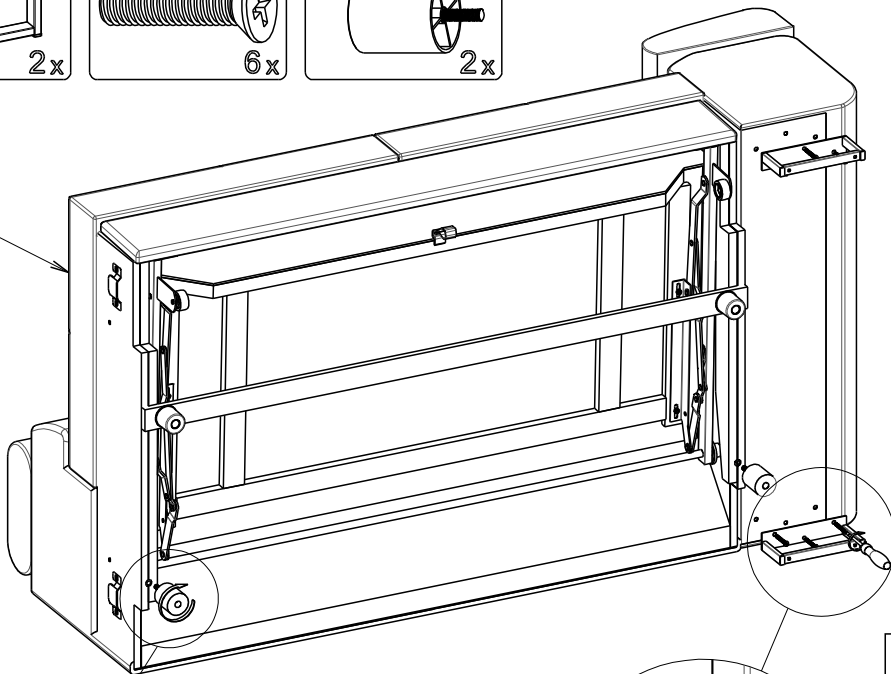
NOK7

2x

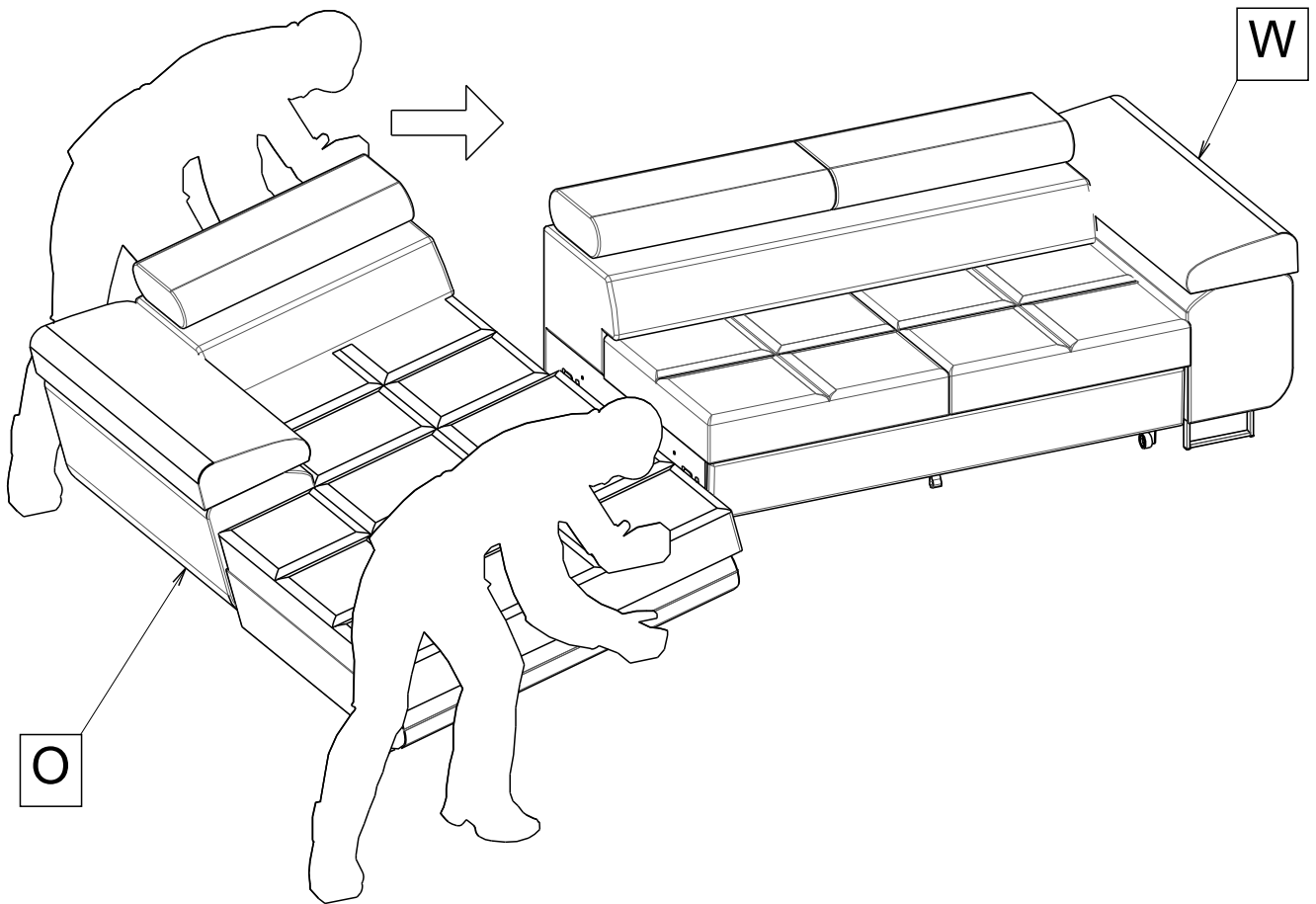


NANT

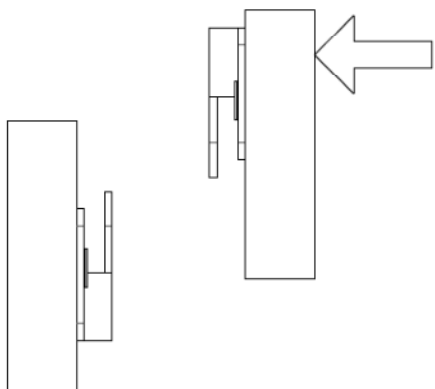
SLS M6x45



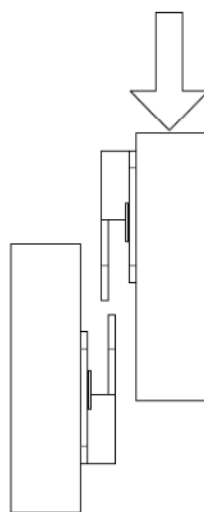
3



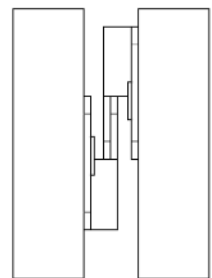
1)



2)

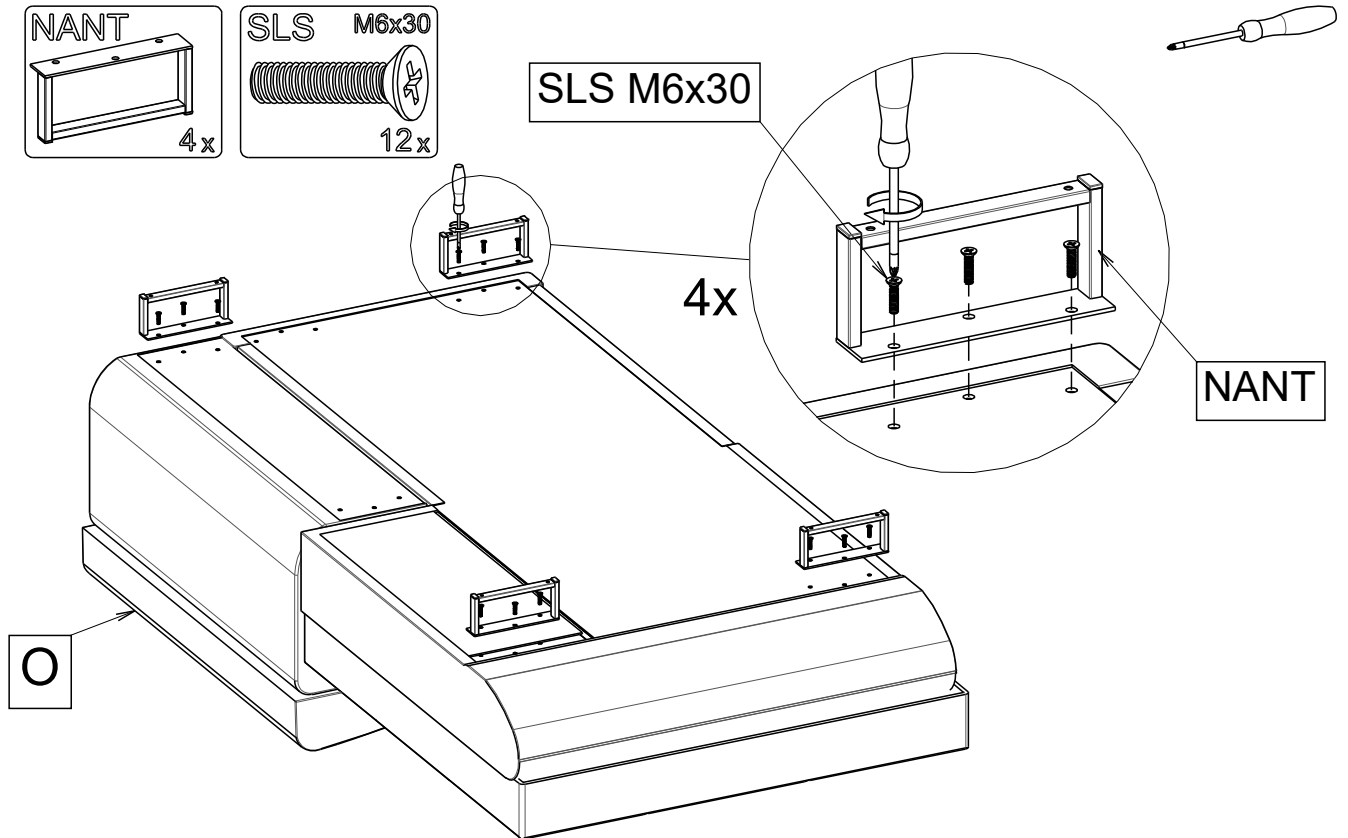


3)

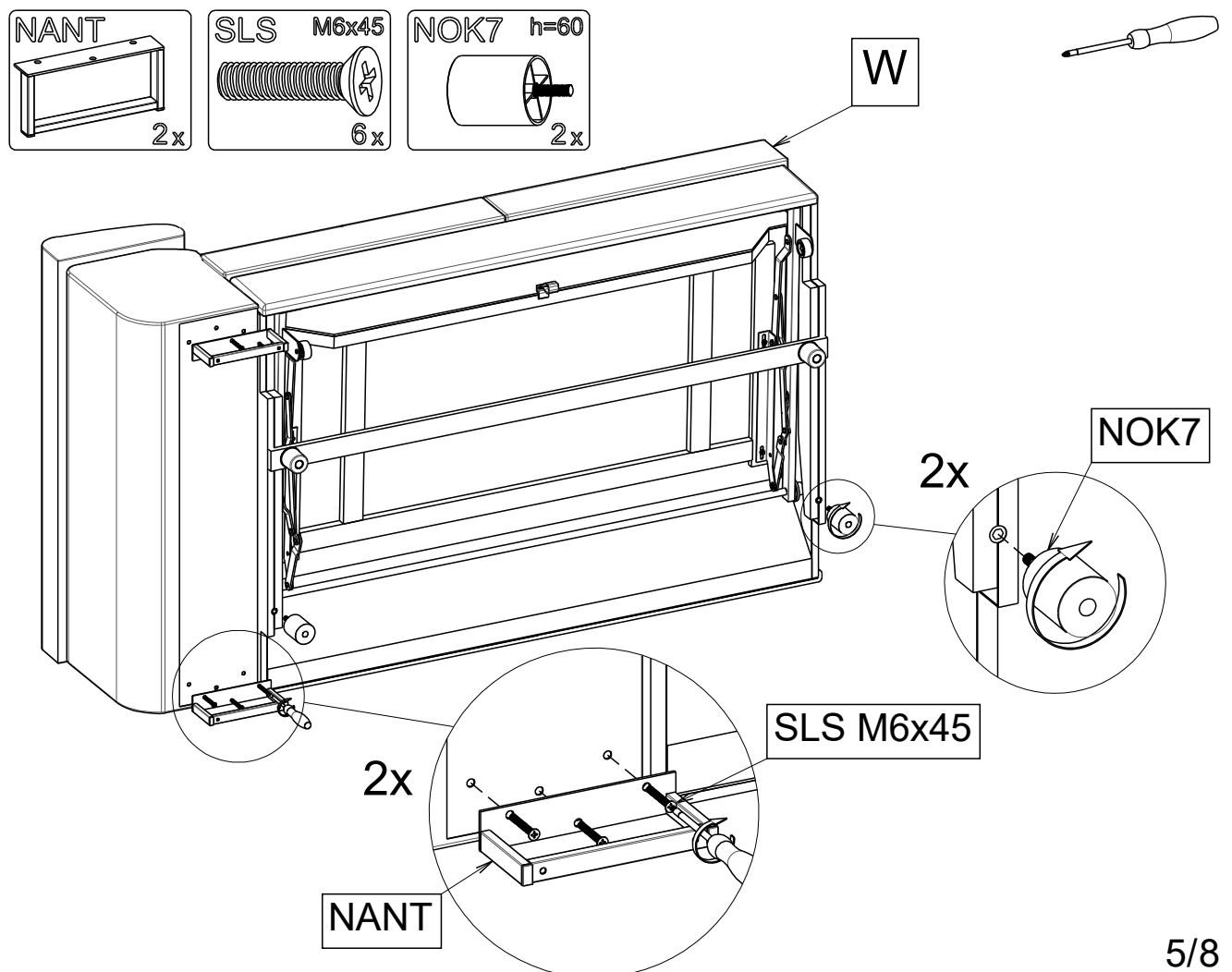


RIGHT

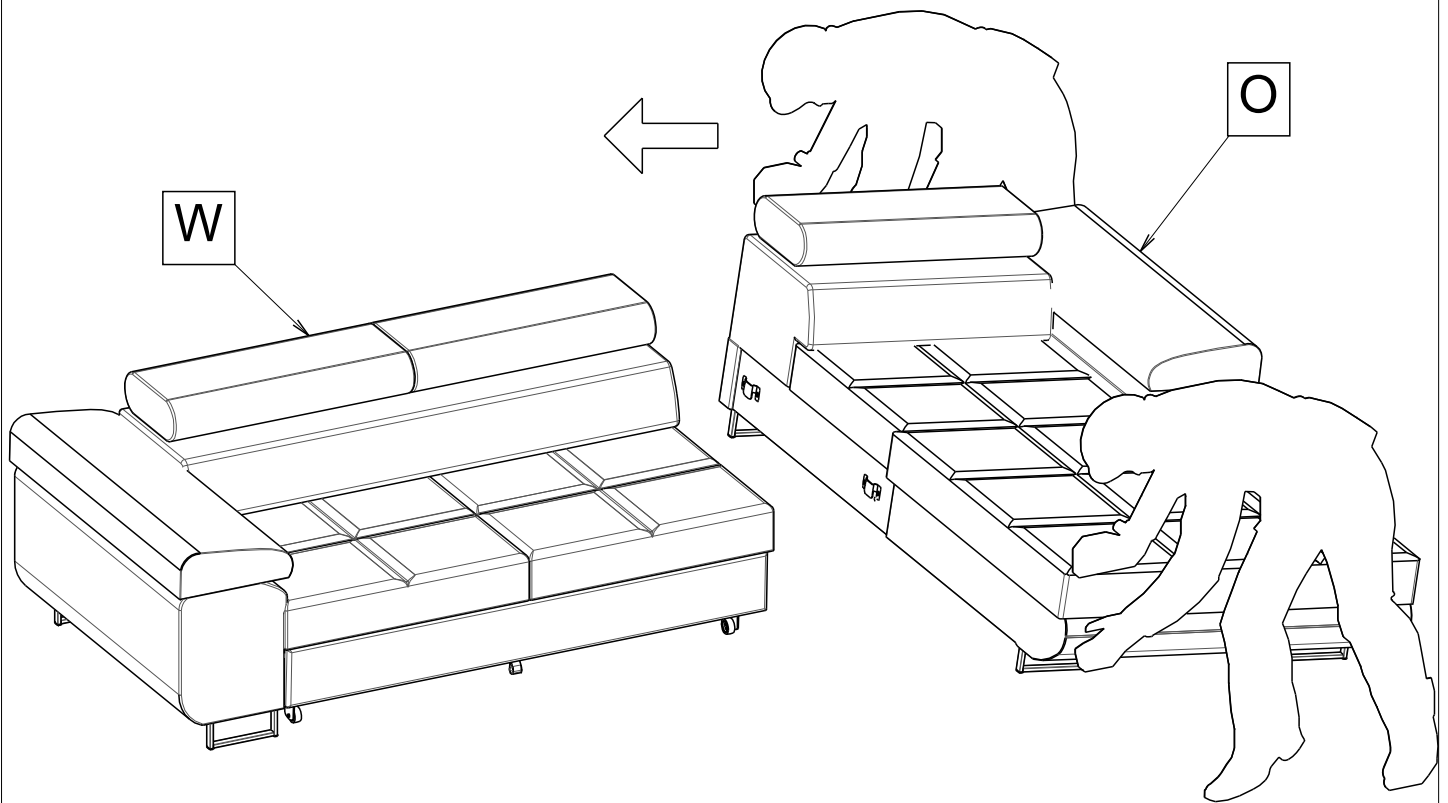
1



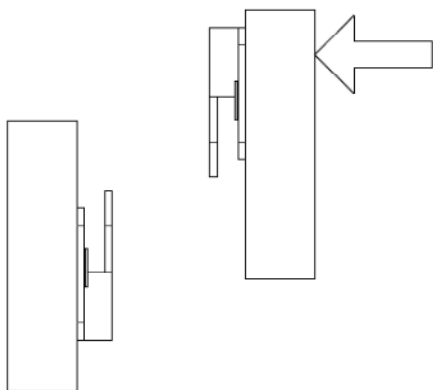
2



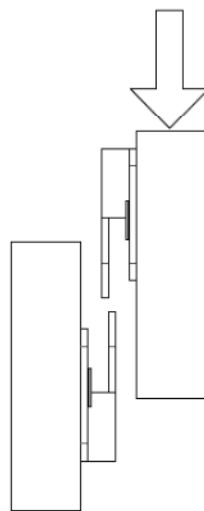
3



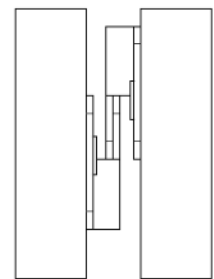
1)



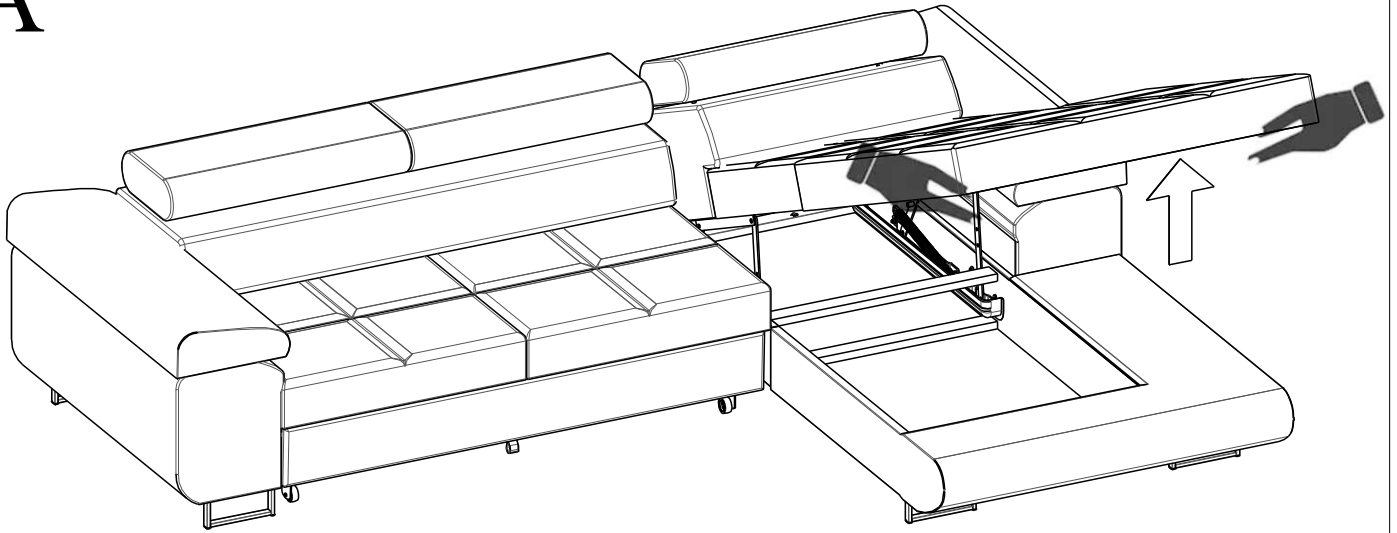
2)



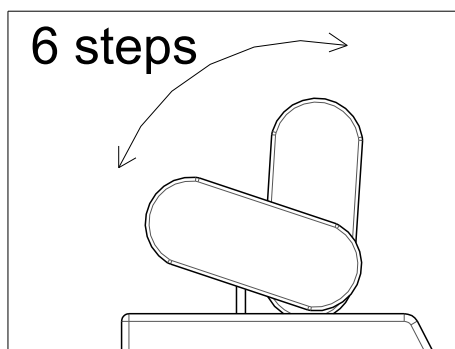
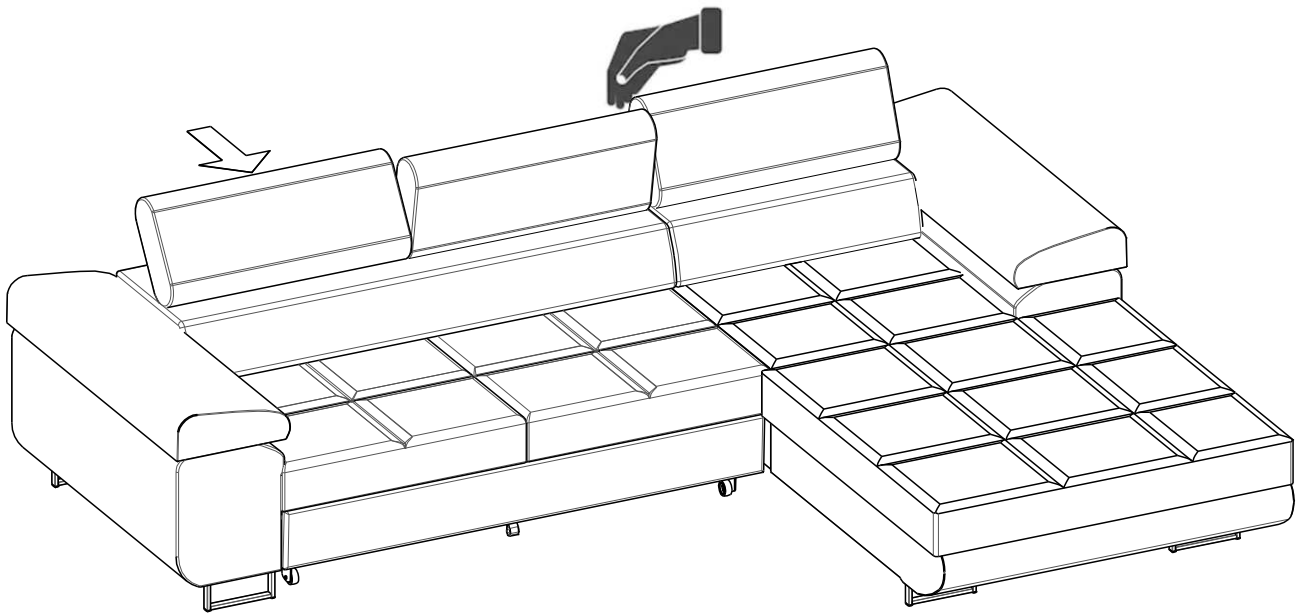
3)



A

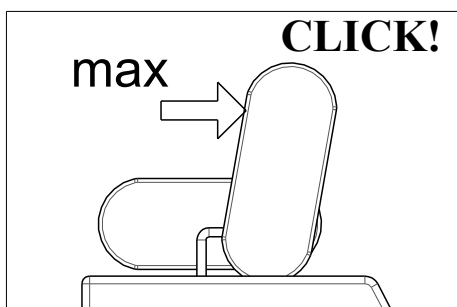


B

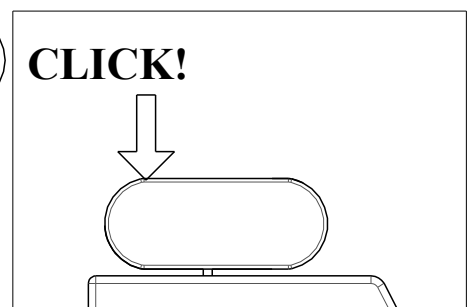


CLOSING

1



2



C

