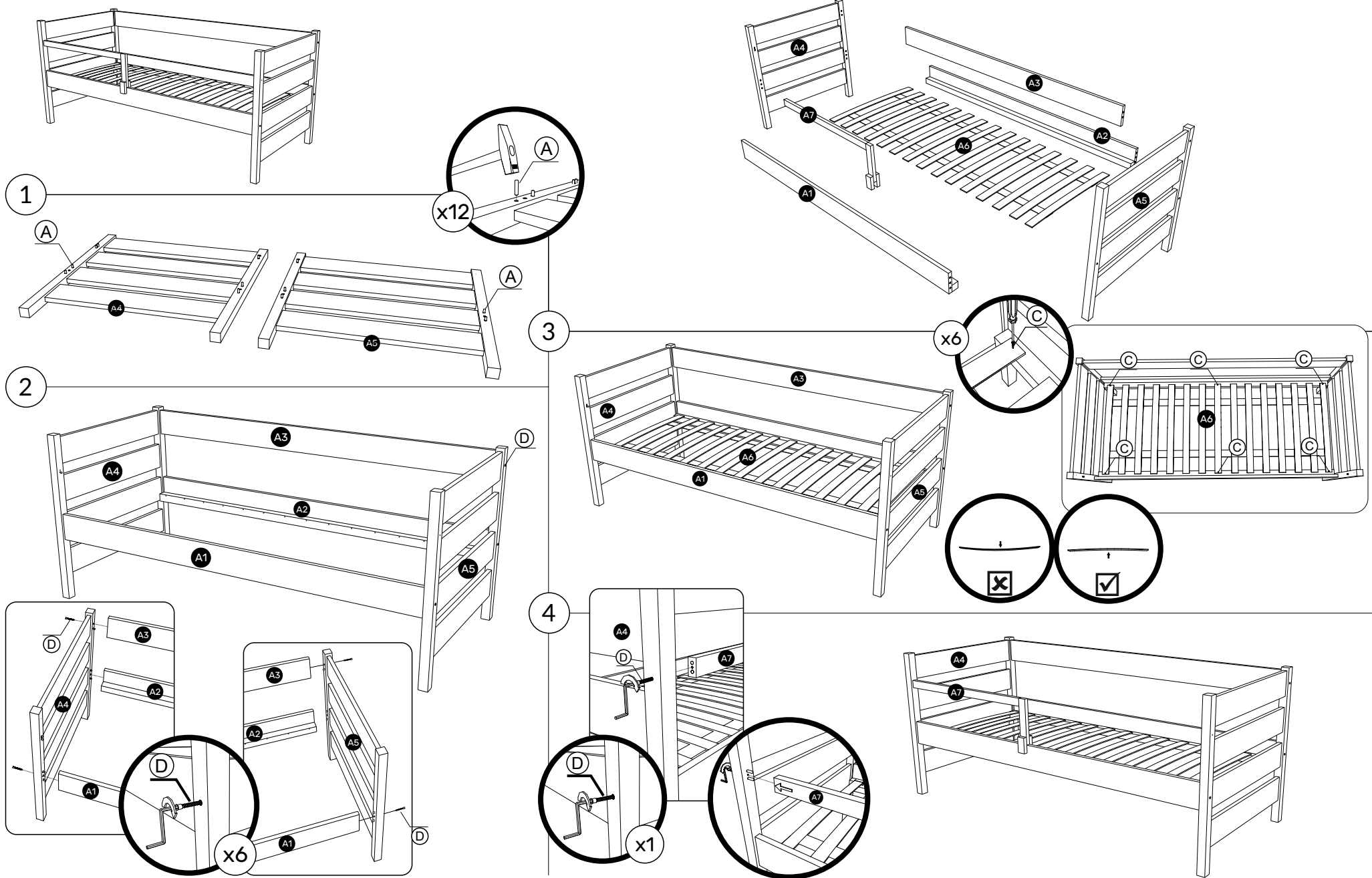
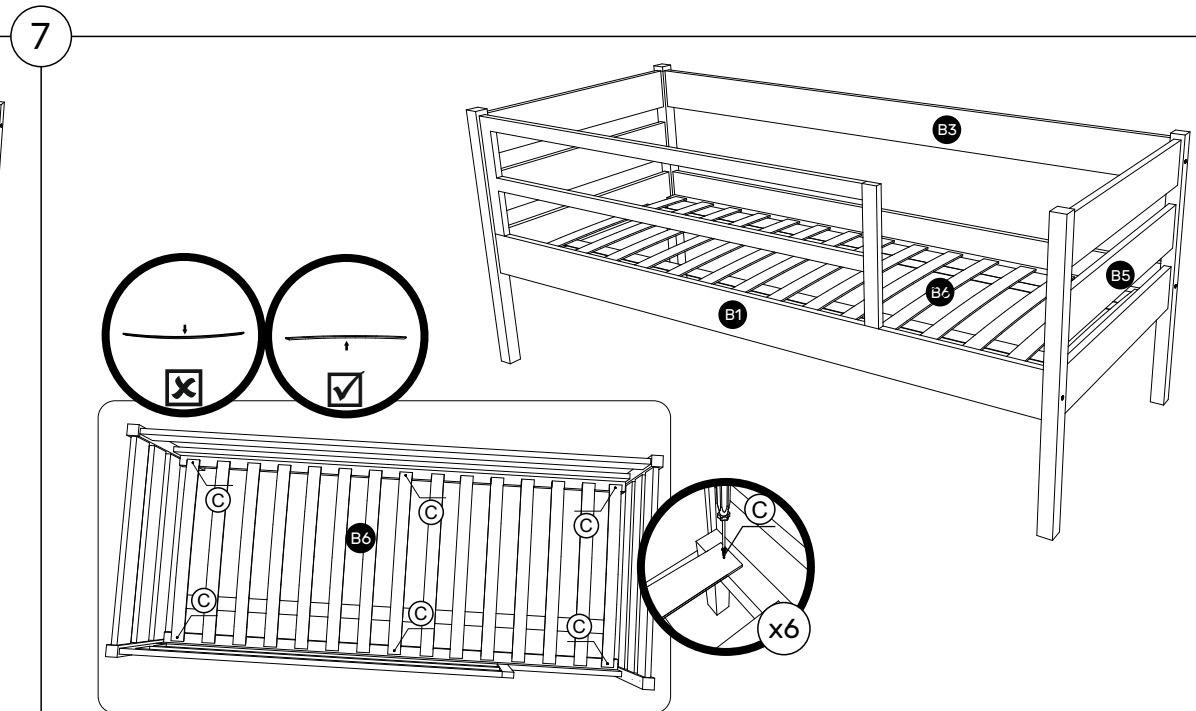
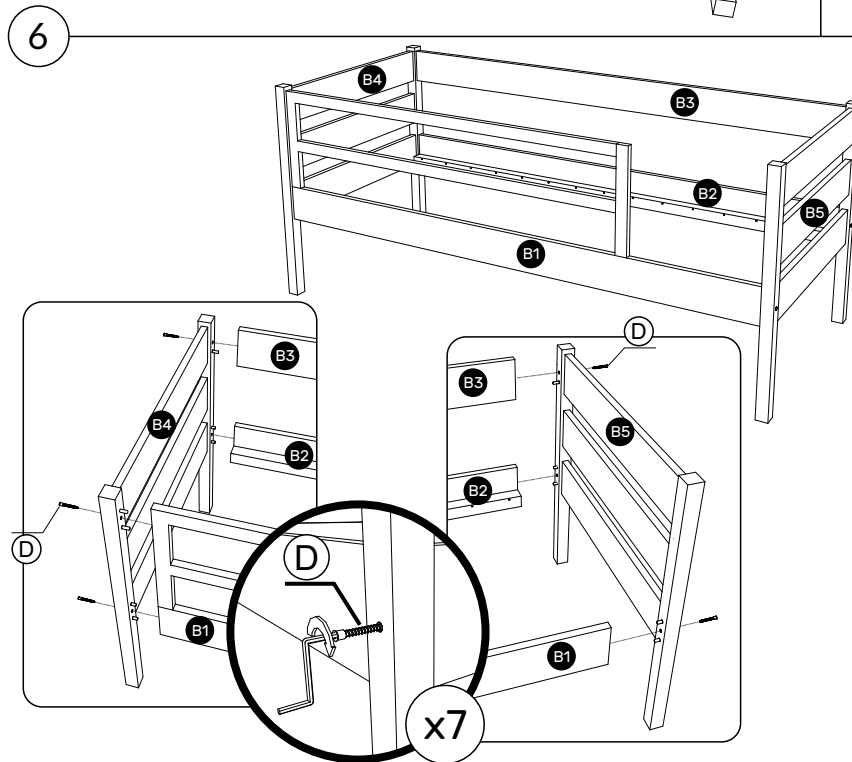
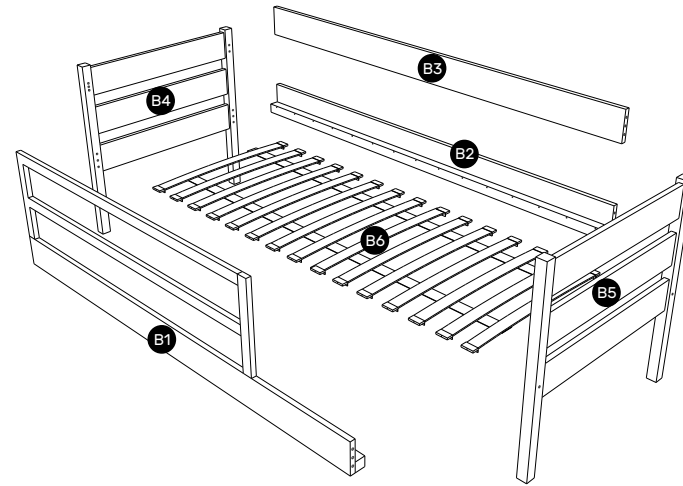
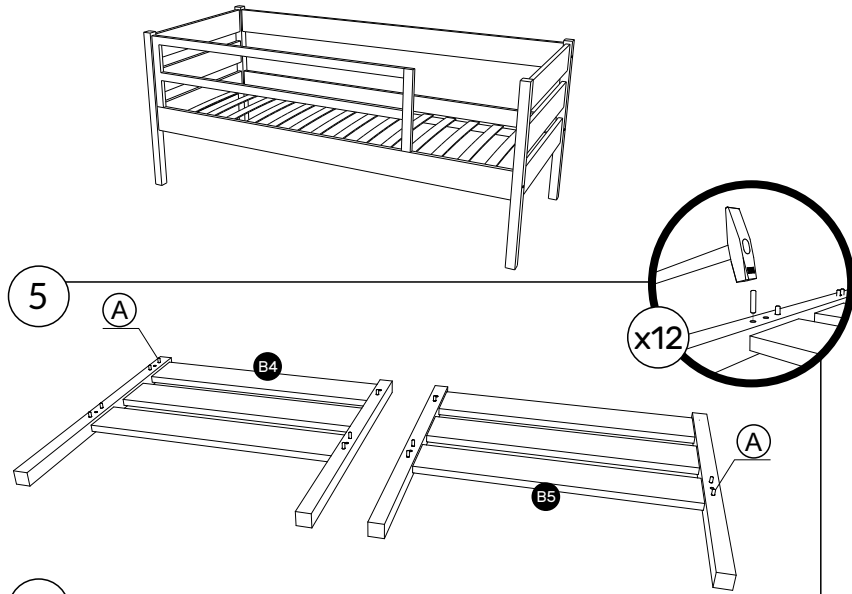

x 4	x 4	x 8	x 20	x 10	x 5	x 18	x 38	x 40		

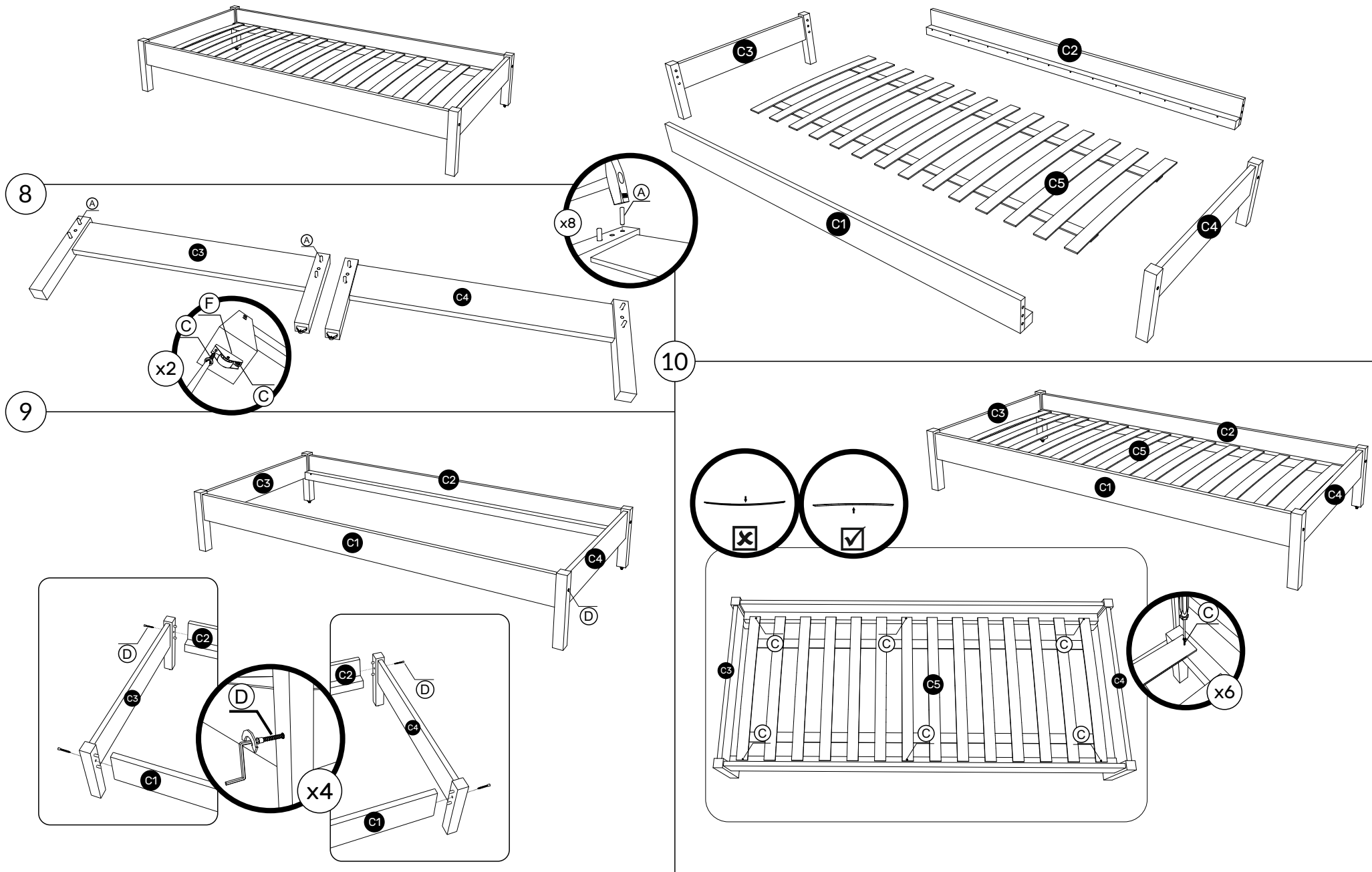
A



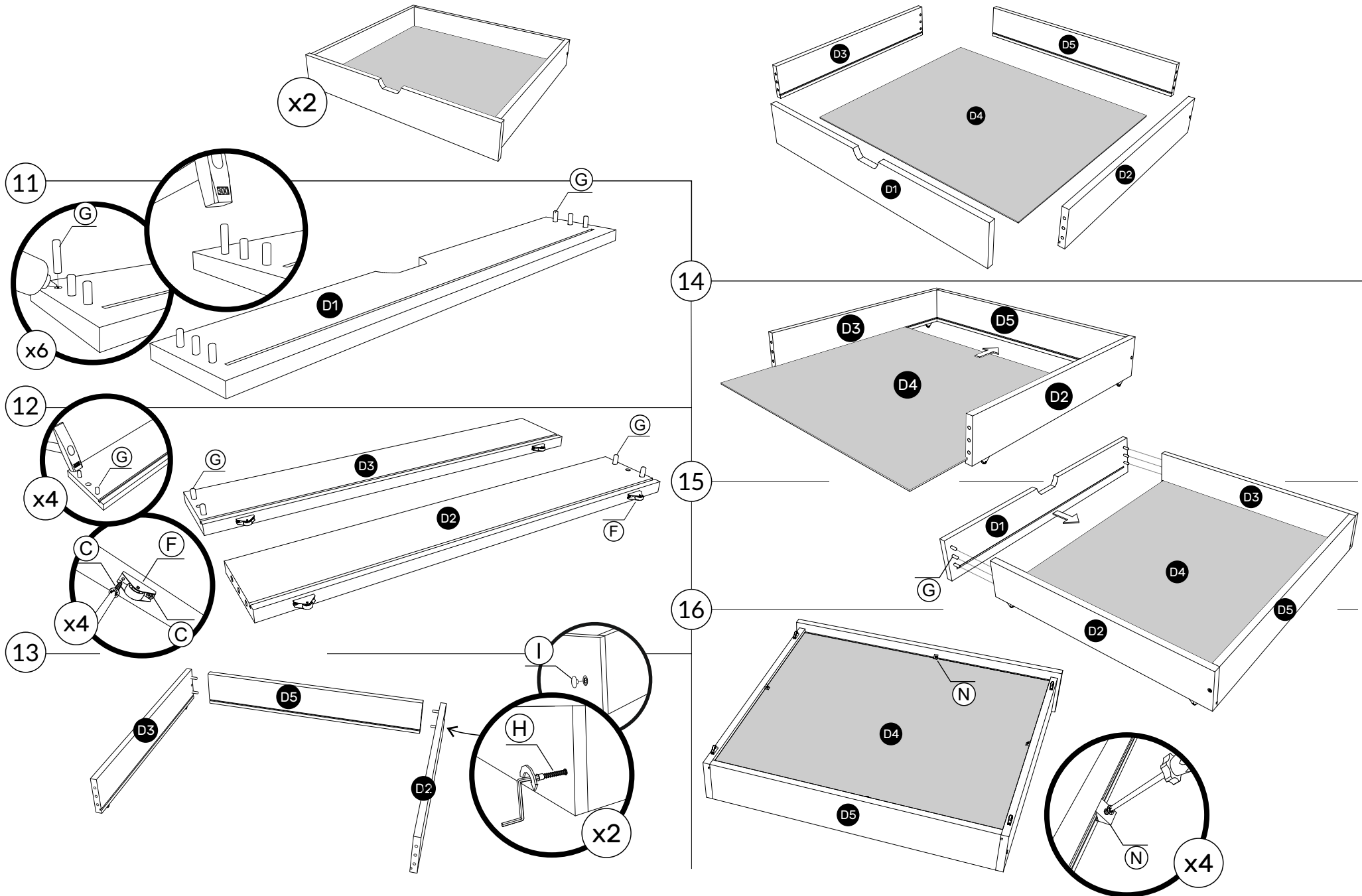
B



C

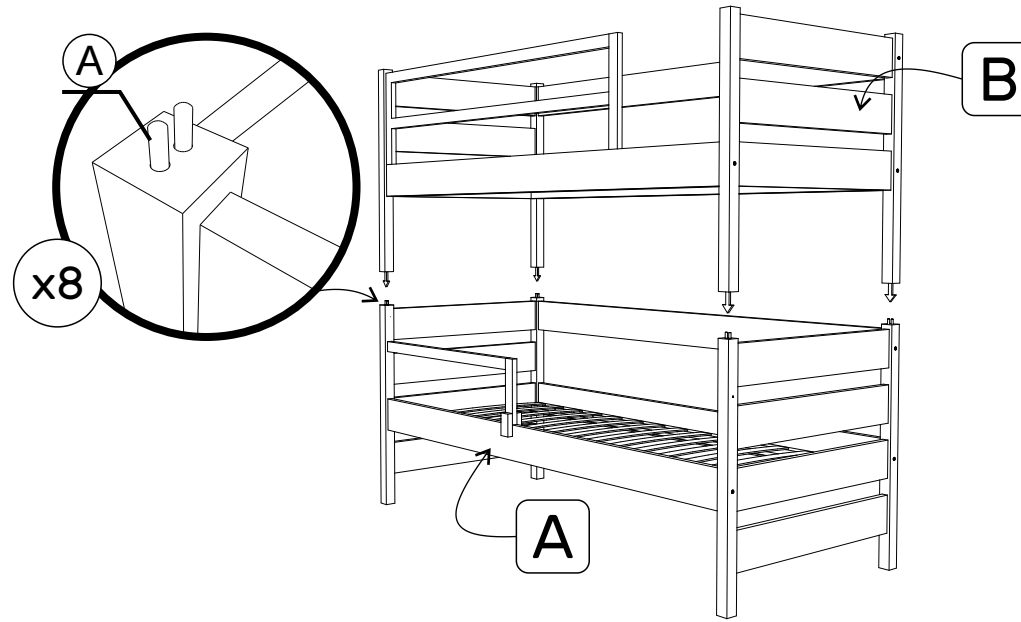


D



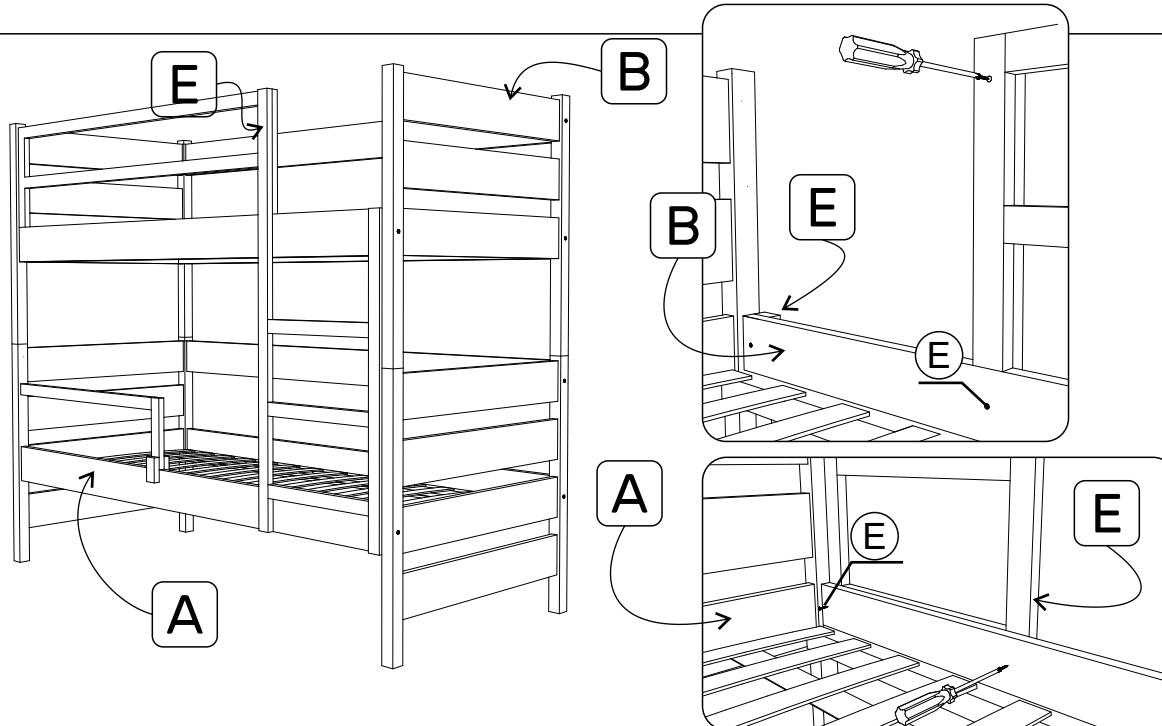
17

A + B



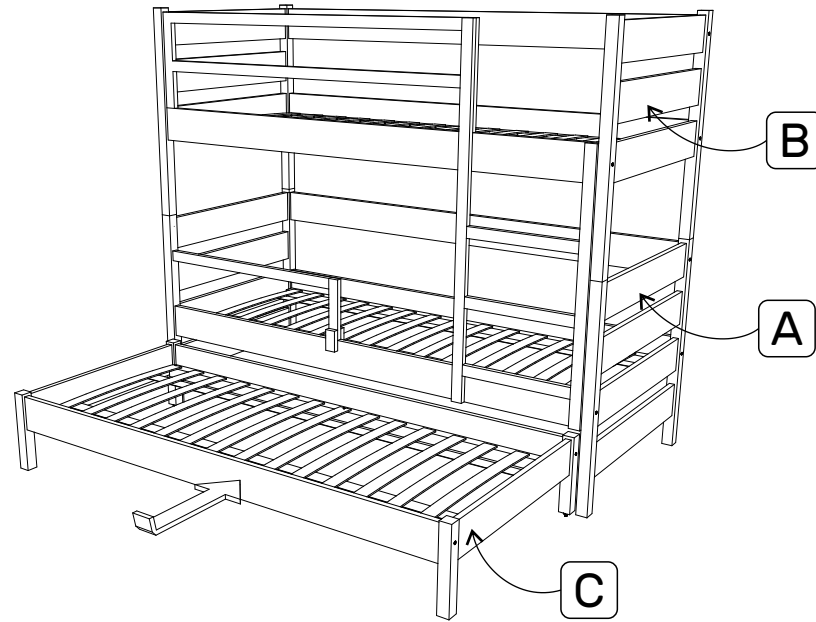
18

A + B + E



19

A + B + E + C



20

A + B + E + C + D

