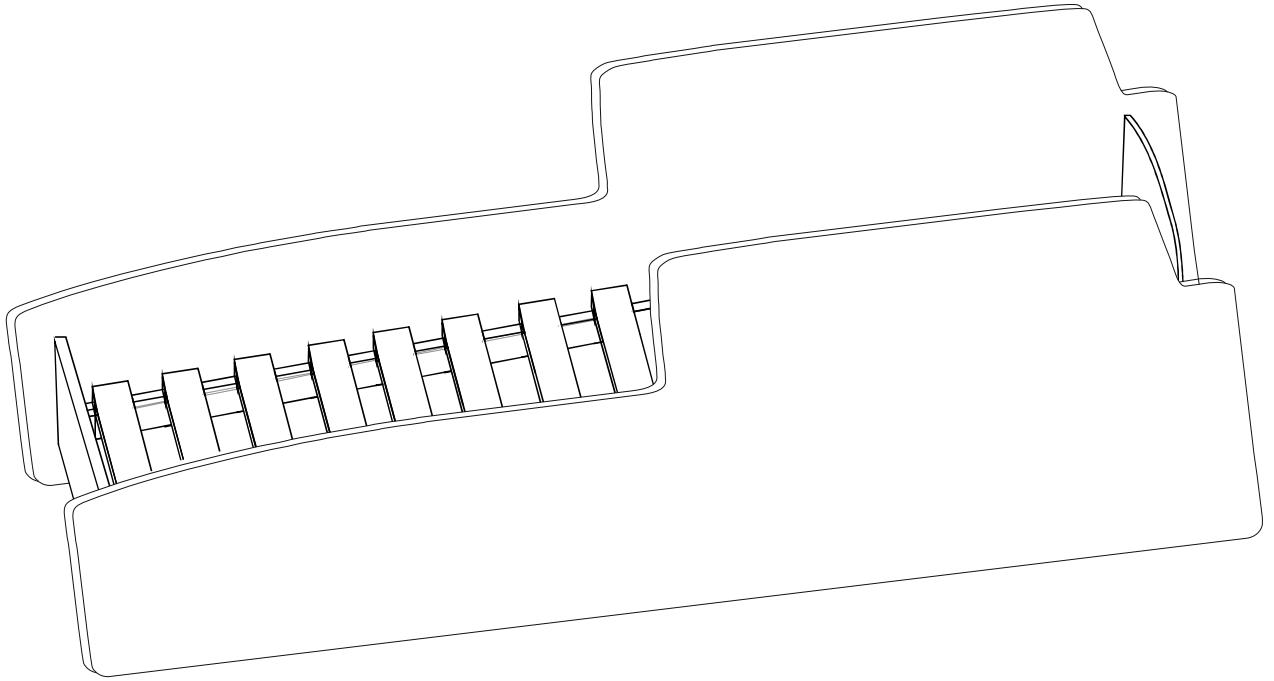
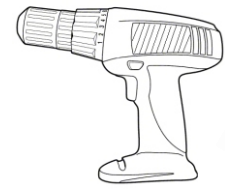
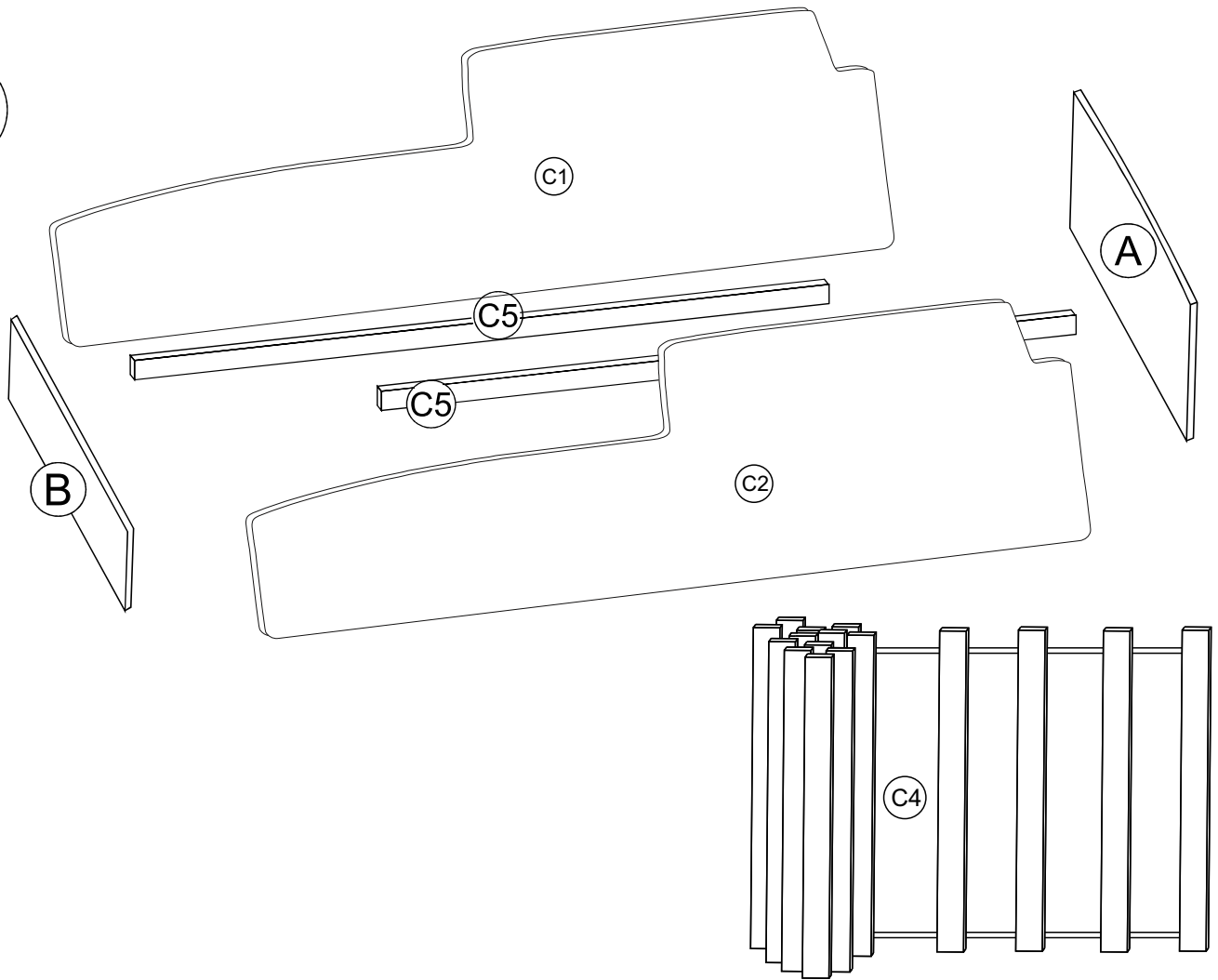


1

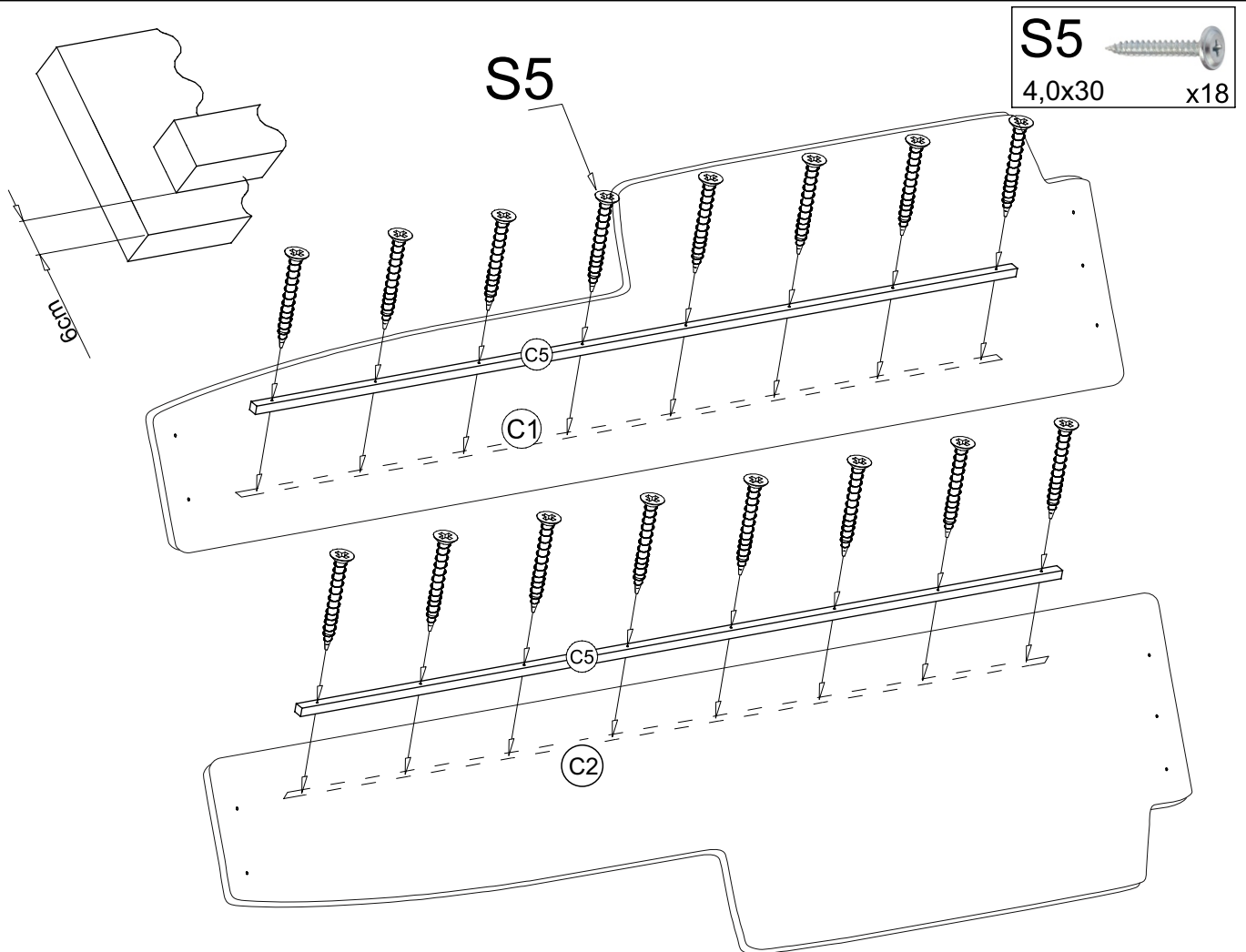


S1		10
S2		10
S3 3,5x20		6
S4		1
S5 4,0x30		18
S6		4
S7		


2

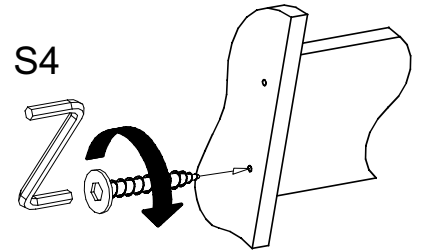
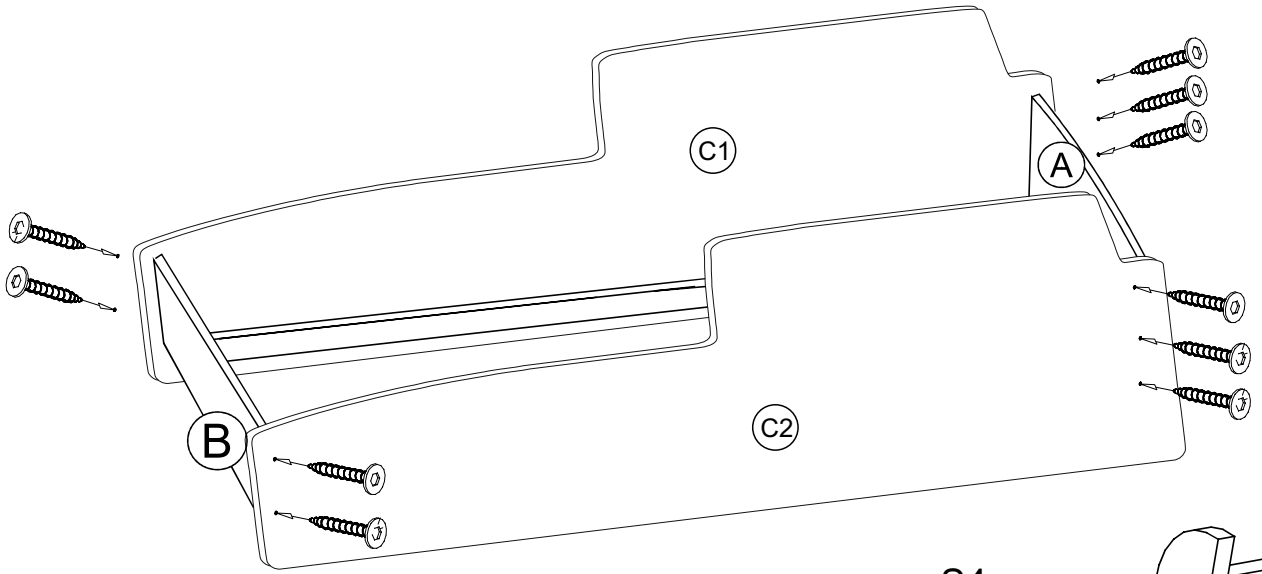


3

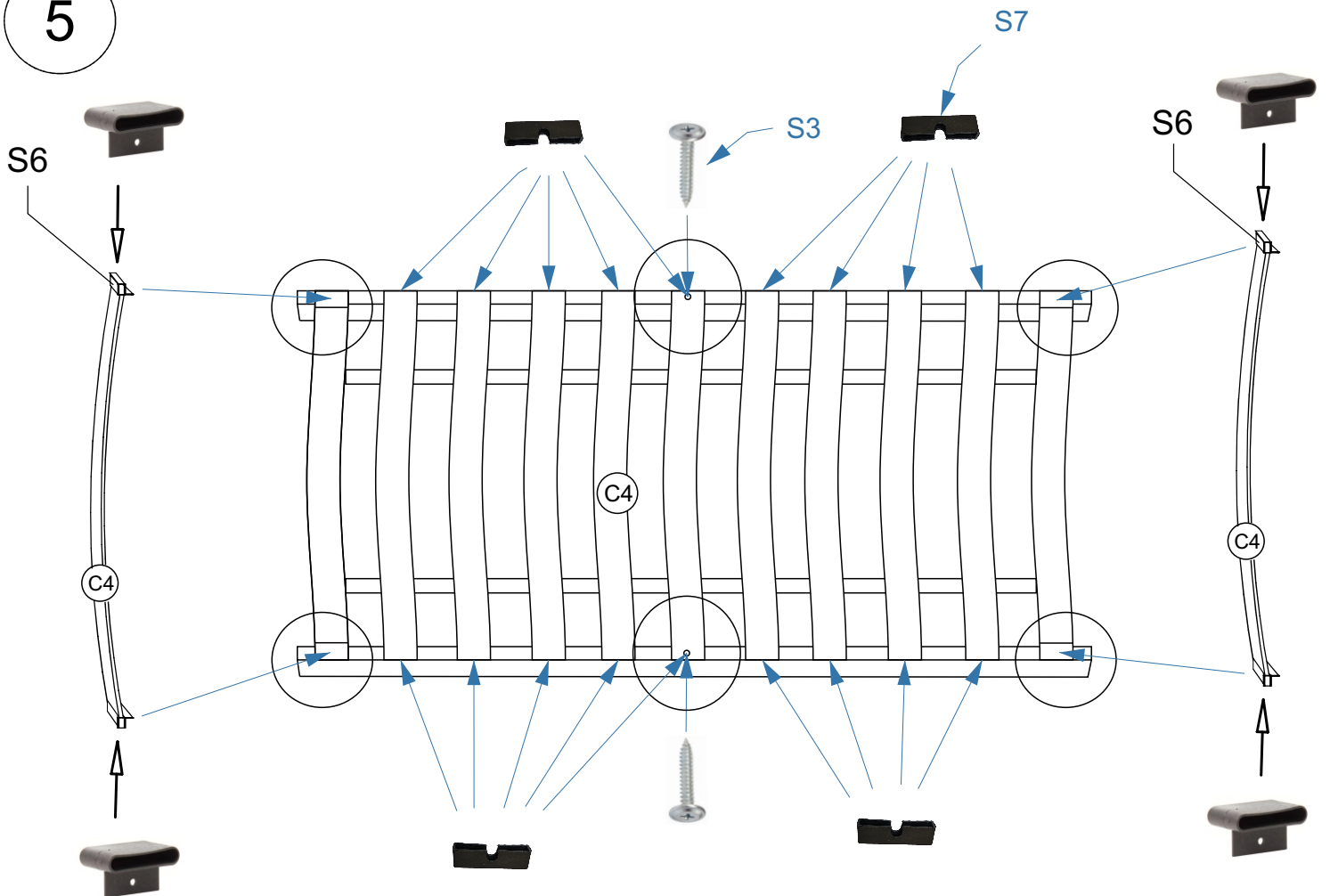


4

S1  x10



5



6

S3  
3,5x20 x6

