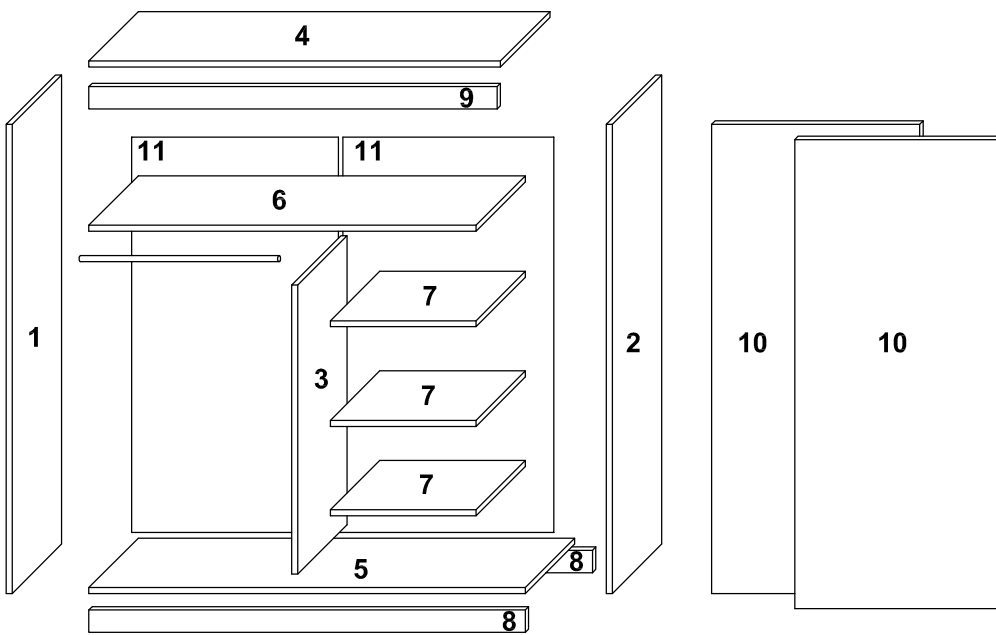
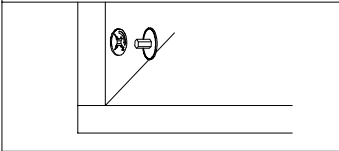
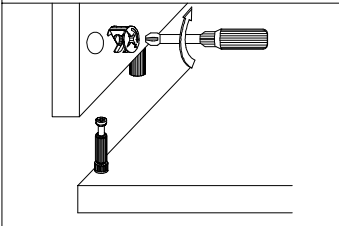
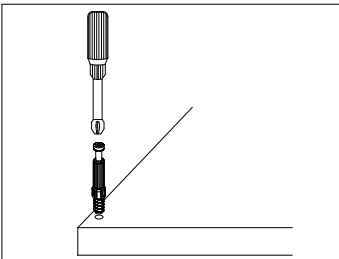
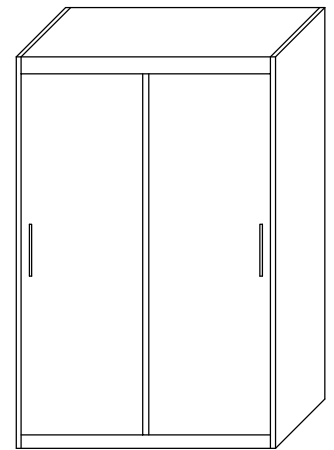
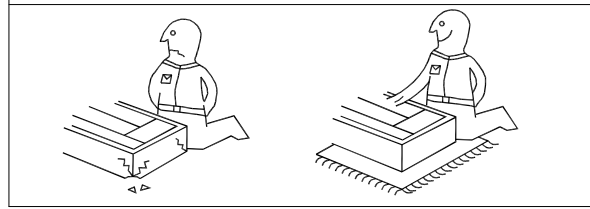
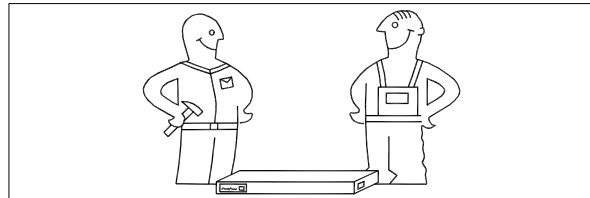
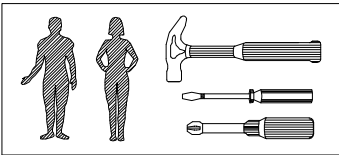
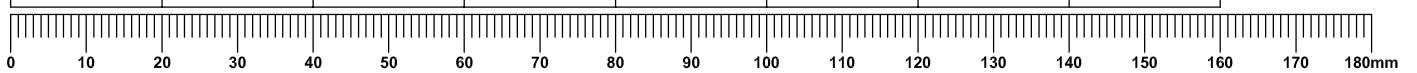


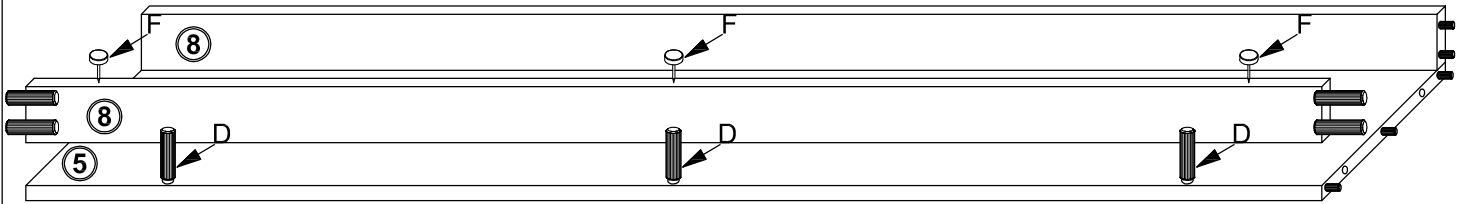
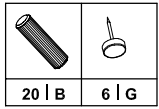
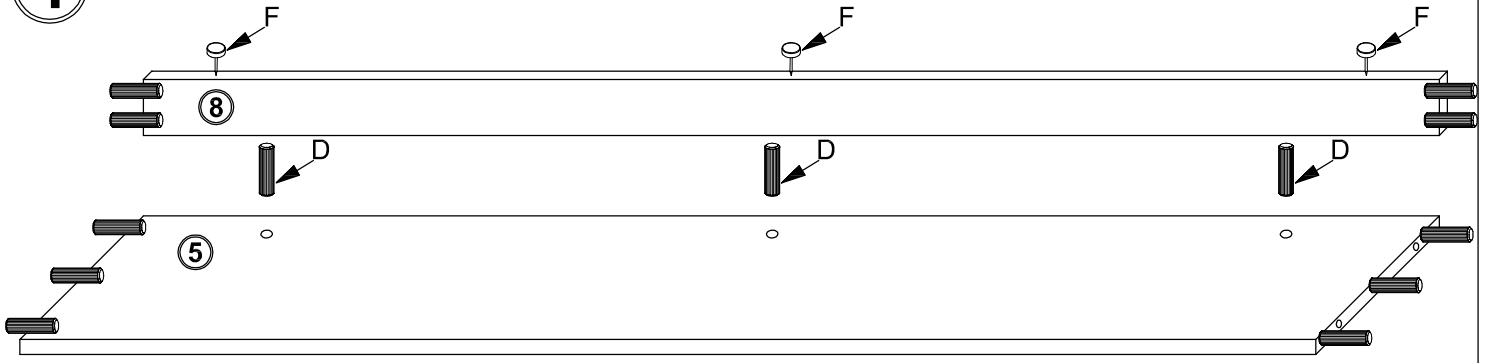
SZAFKA 100



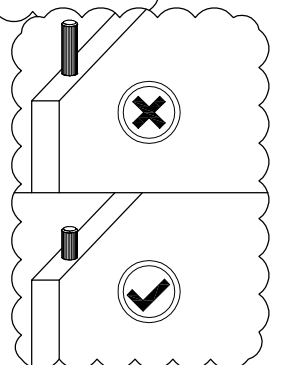
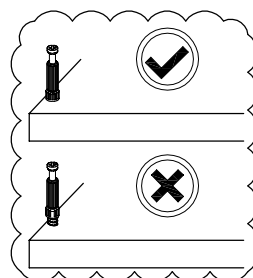
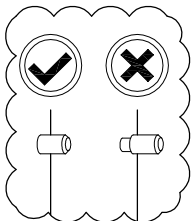
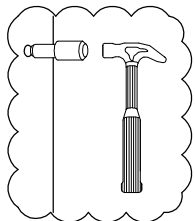
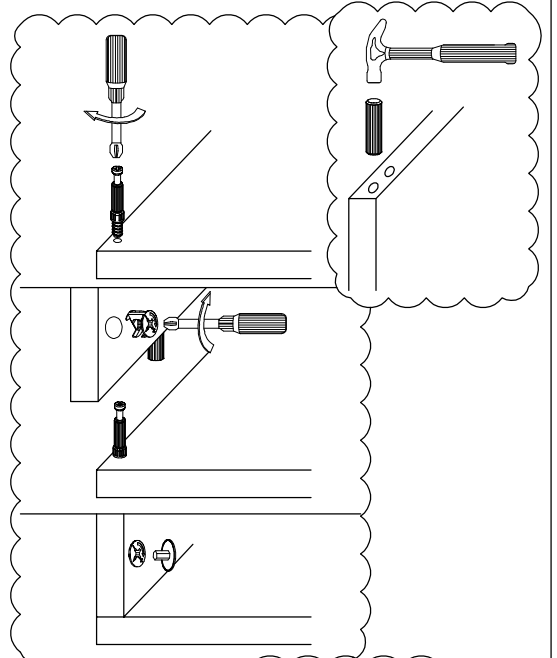
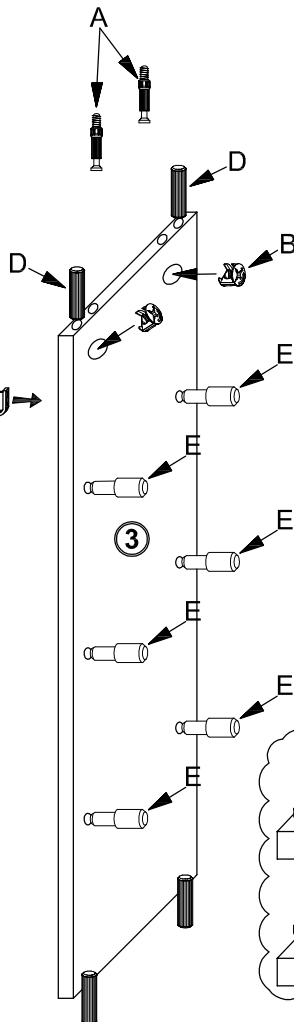
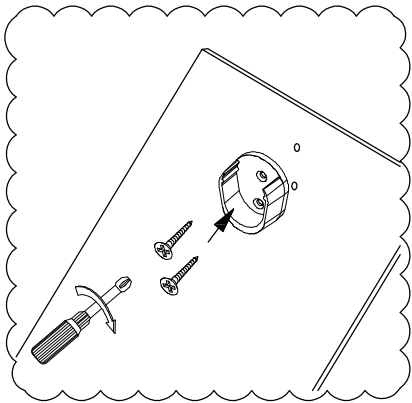
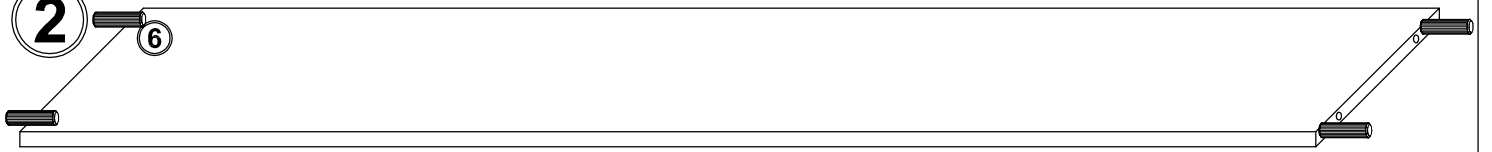
20 A	20 B	20 C	34 D	12 E	10 F		
2 G	4 H	1 I	2 J	4 K	1 L	1 M	1 N



1

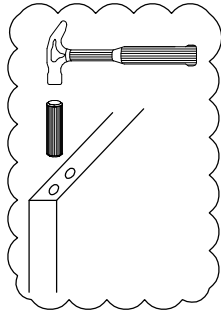
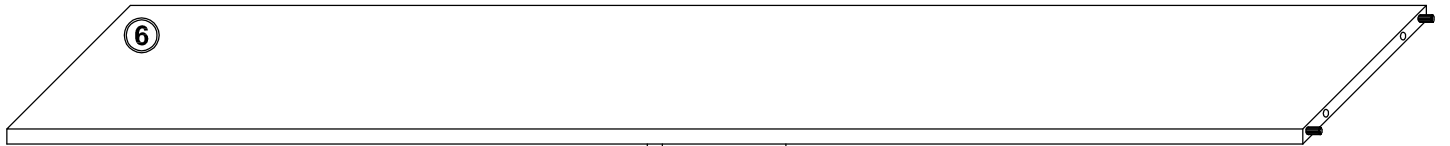
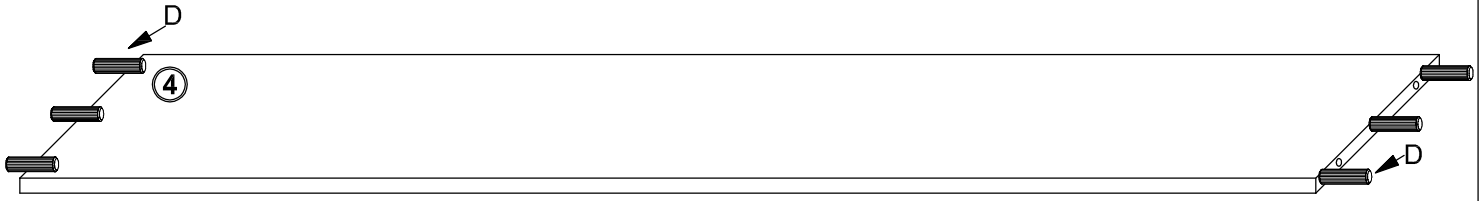


2

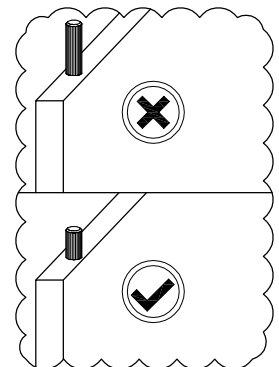
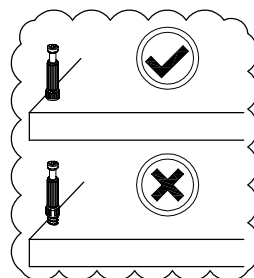
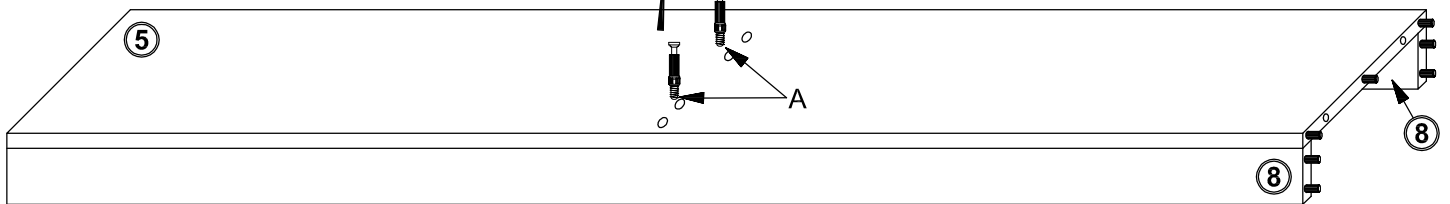
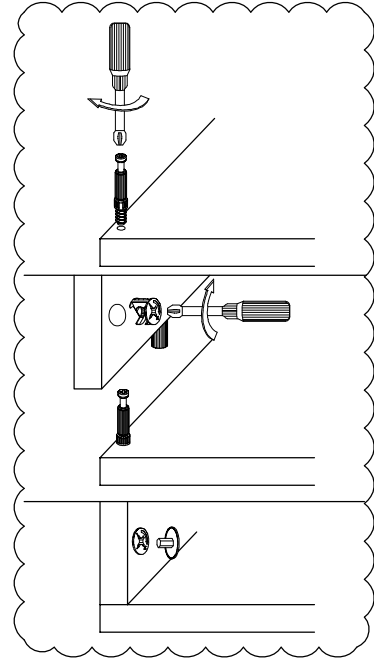
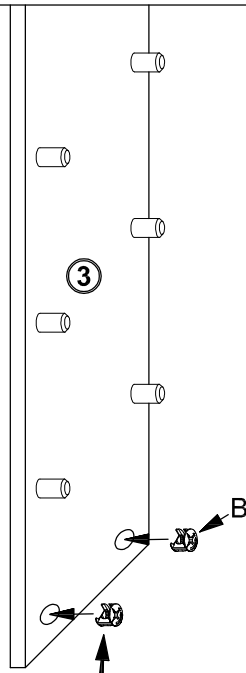


2 A	2 B	2 C	8 D	1 G	W3,5x13	2 H
						6 E

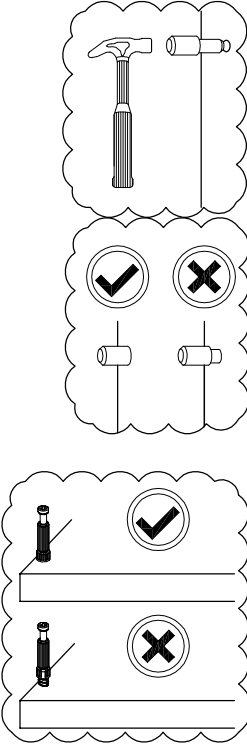
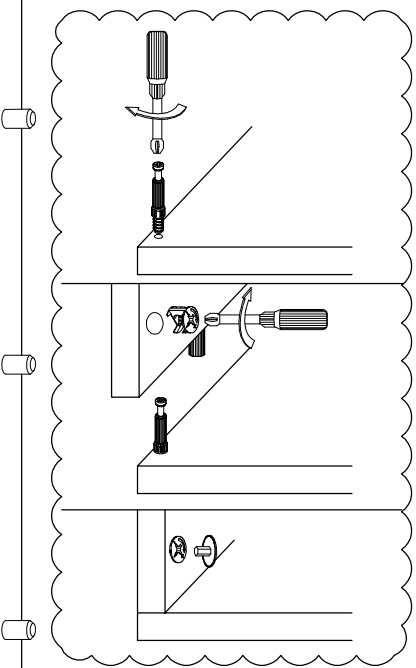
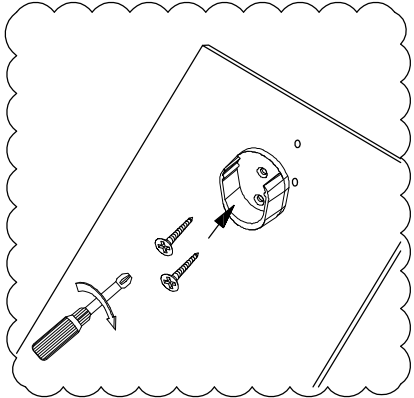
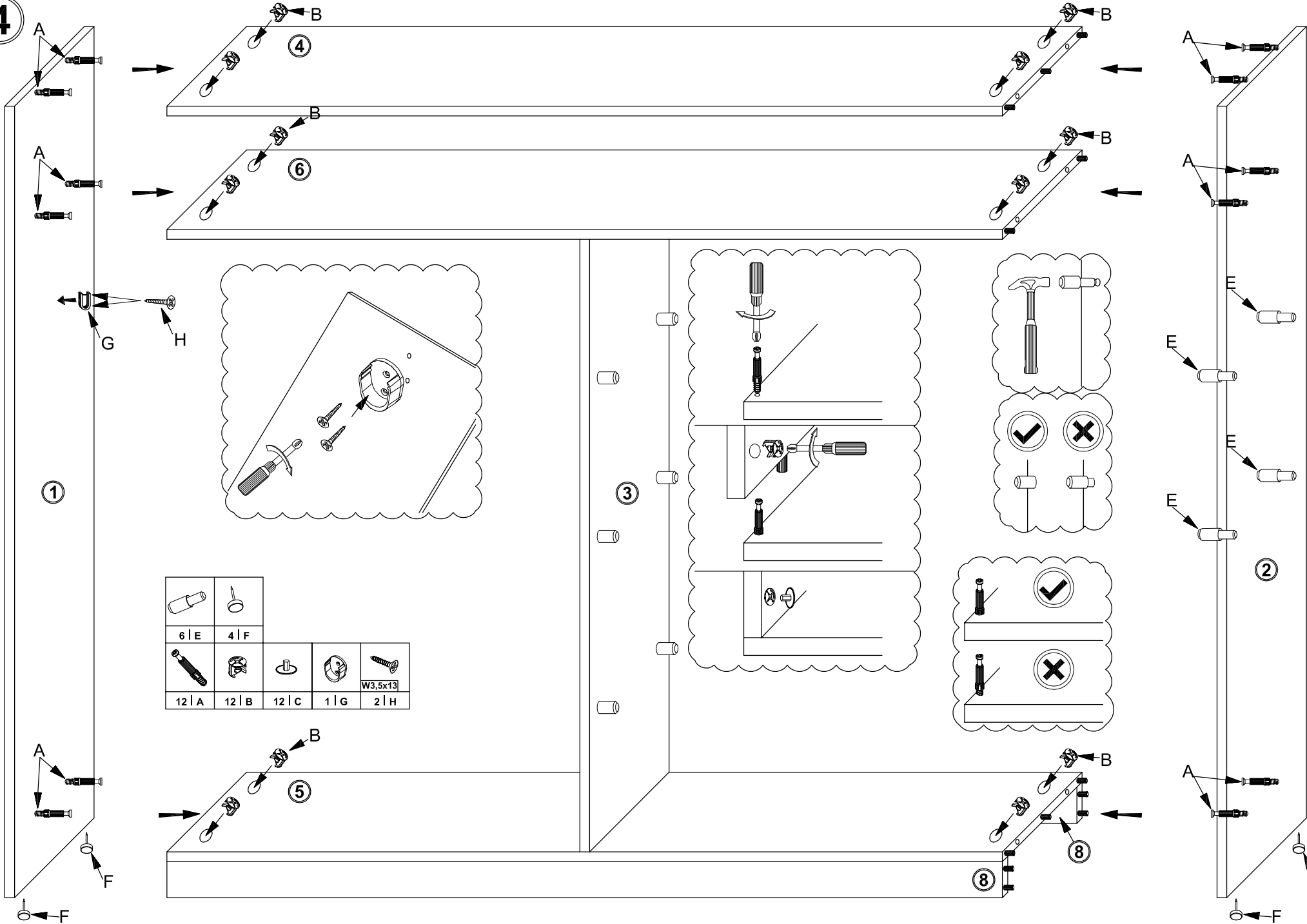
3



2 A	2 B	2 C	6 D



4



6 E	4 F			
12 A	12 B	12 C	1 G	2 H
W3.5x13				

8

8

2

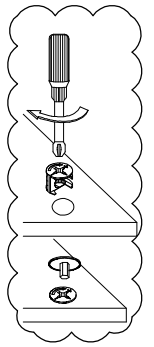
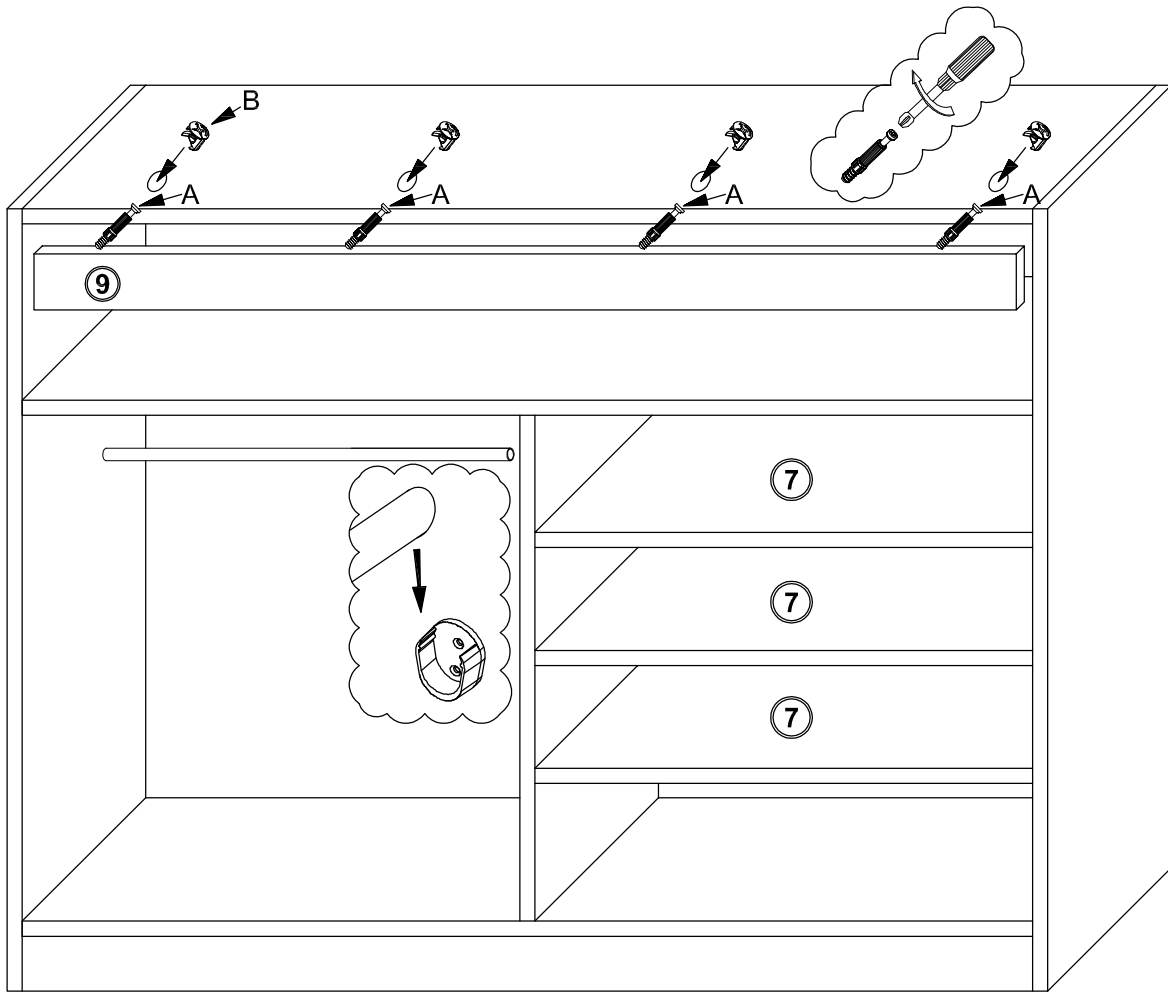
3

5

6

4

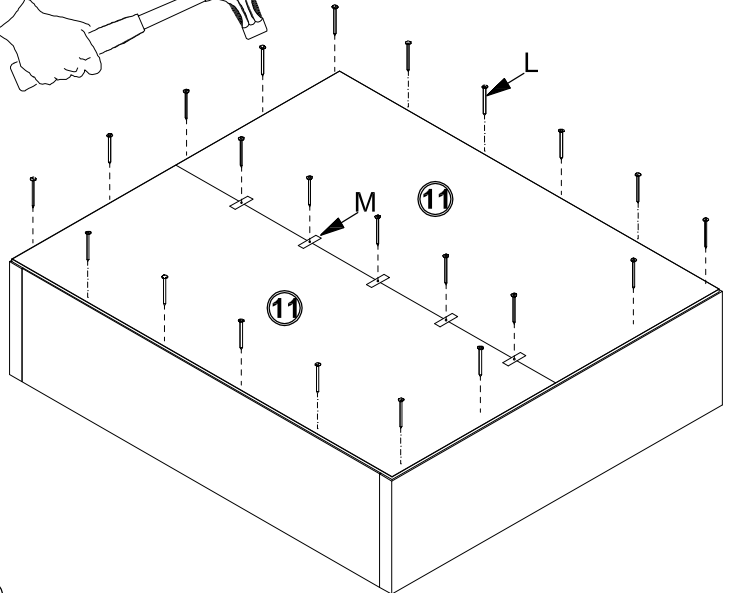
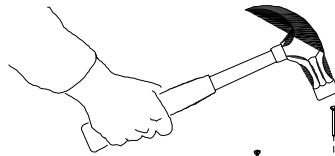
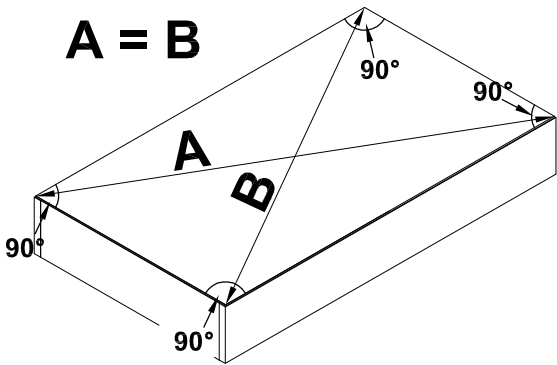
5





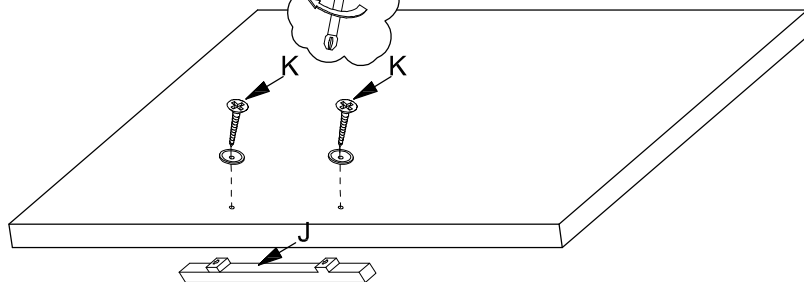
-  4 | A
-  4 | B
-  4 | C





A = B



-  | L
-  | M



-  2 | J
-  4 | K

