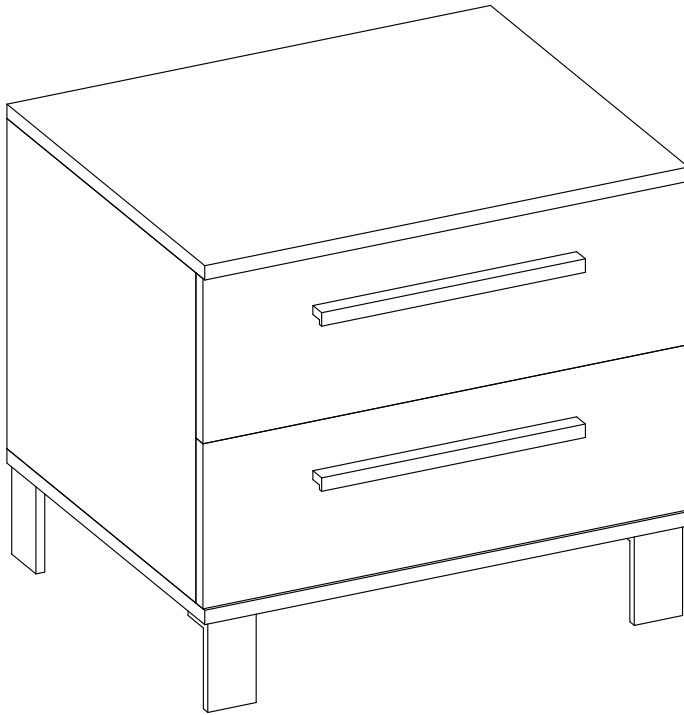
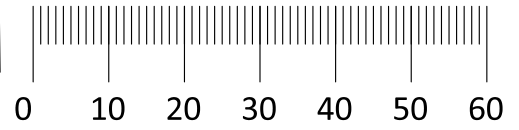
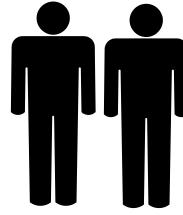
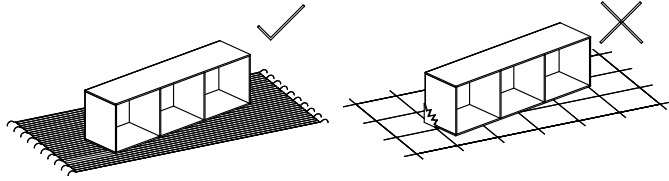
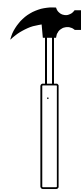


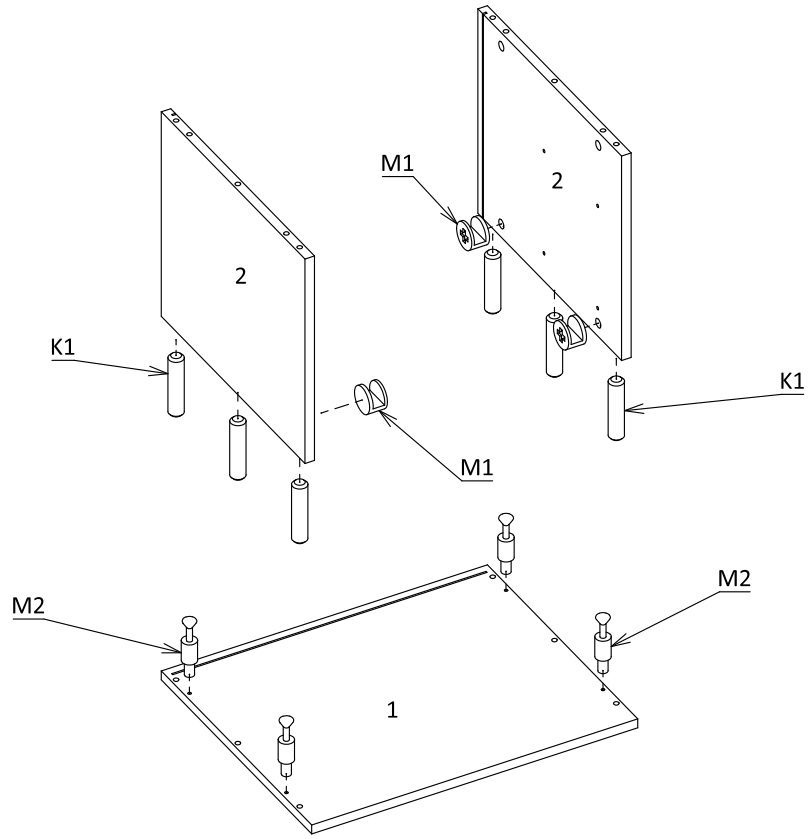
# BEDSIDE TABLE MALEN



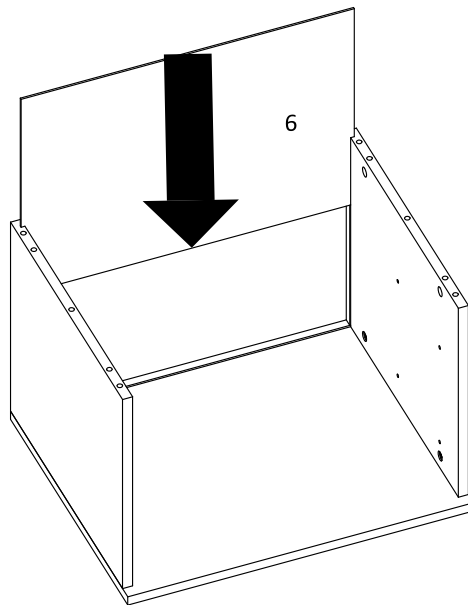
No	T(mm)	L(mm)	W(mm)	Stc.
1	16	550	450	2
2	16	368	430	2
3	16	460	120	2
4	16	400	120	4
5	16	546	180	2
6	3	533	384	1
7	3	490	405	2

<b>U1</b>  300mm 4	<b>J</b>  - 8	<b>D7</b>  4 x 30 4	<b>GL</b>  1		
<b>D4</b>  3 x 20 8	<b>N</b>  4	<b>D3</b>  4 x 25 16	<b>H4</b>  400mm 2	<b>H</b>  400mm 2	
<b>K1</b>  8 X 35 28	<b>M1</b>  8	<b>M2</b>  8	<b>I1</b>  8	<b>D6</b>  3,5 x 13 8	<b>G1</b>  2 x 20 32

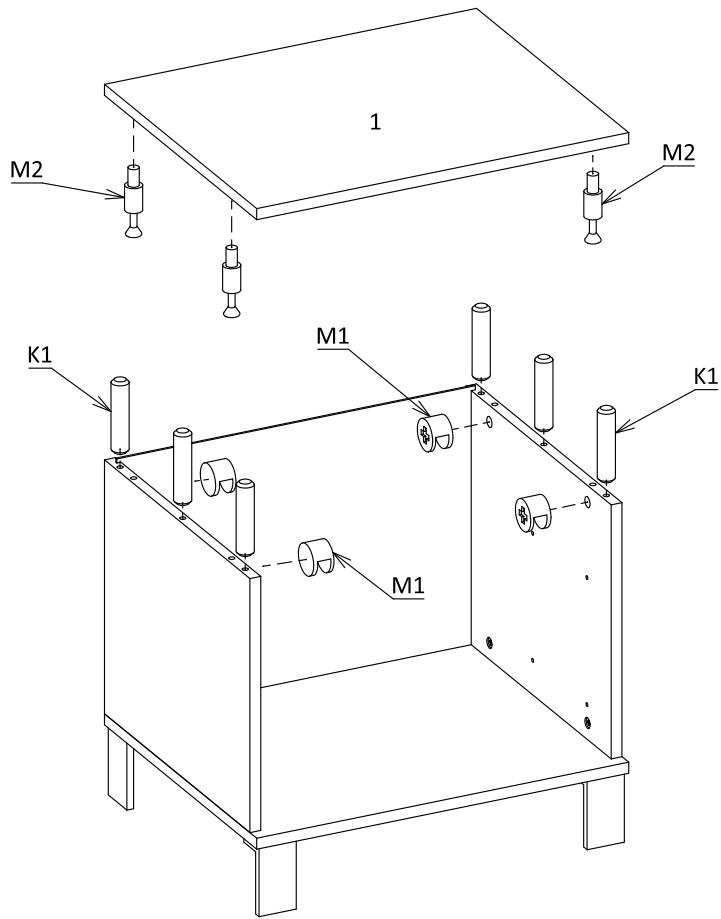
I



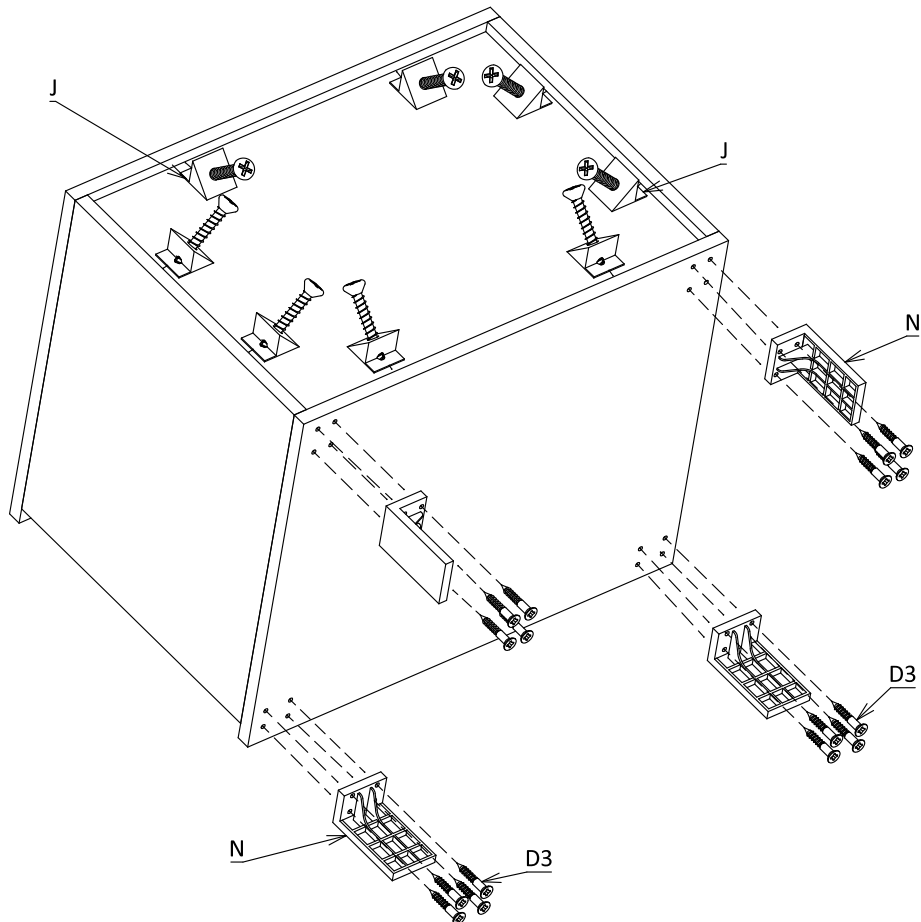
II



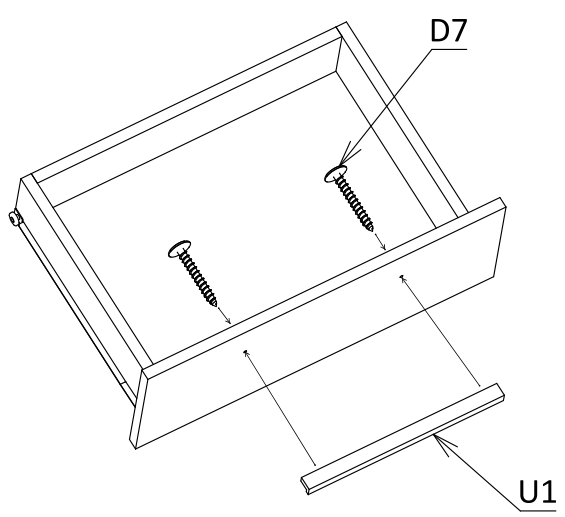
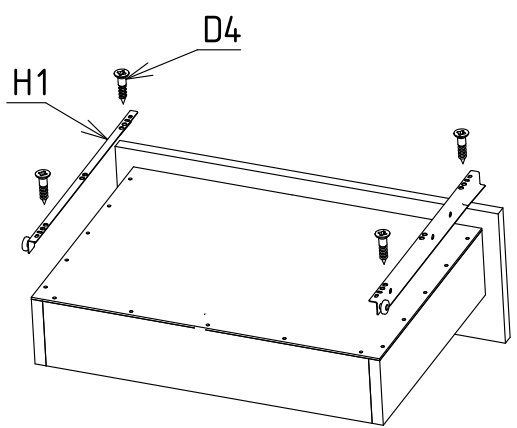
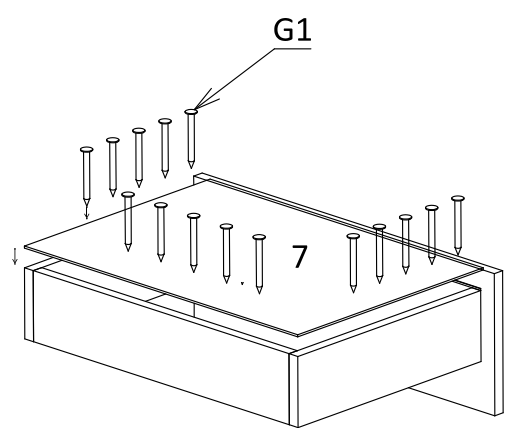
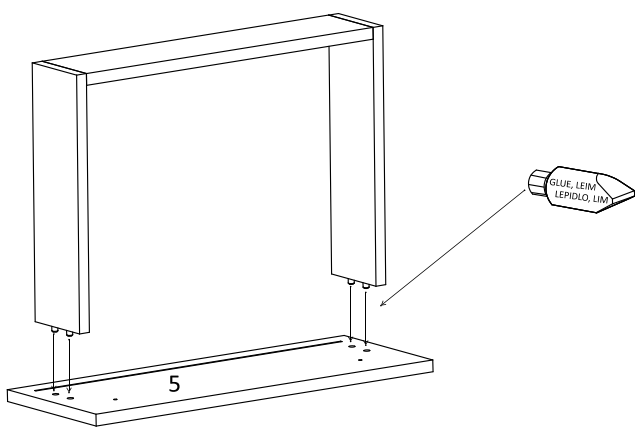
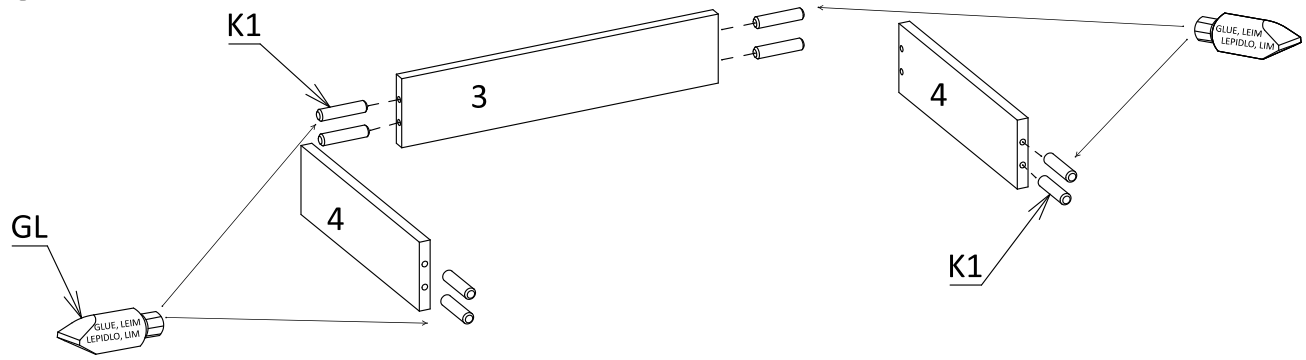
III



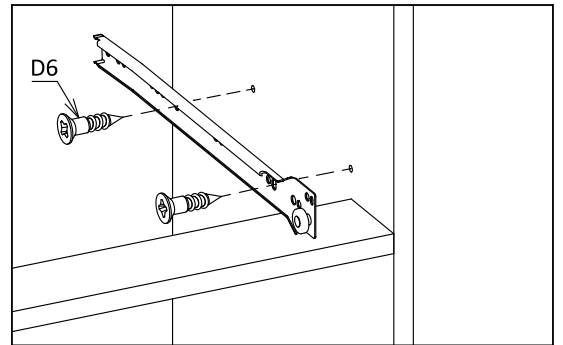
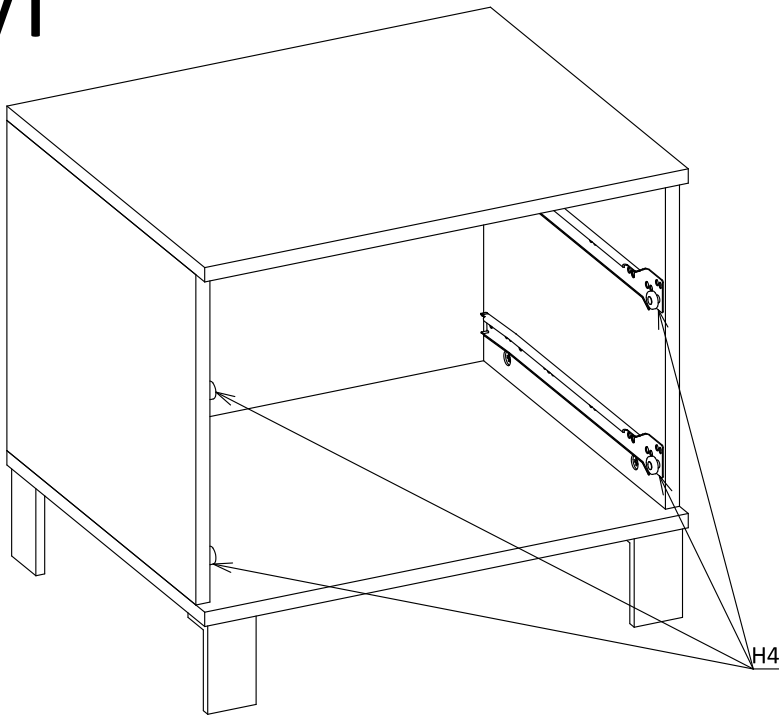
IV



V



# VI



# VII

