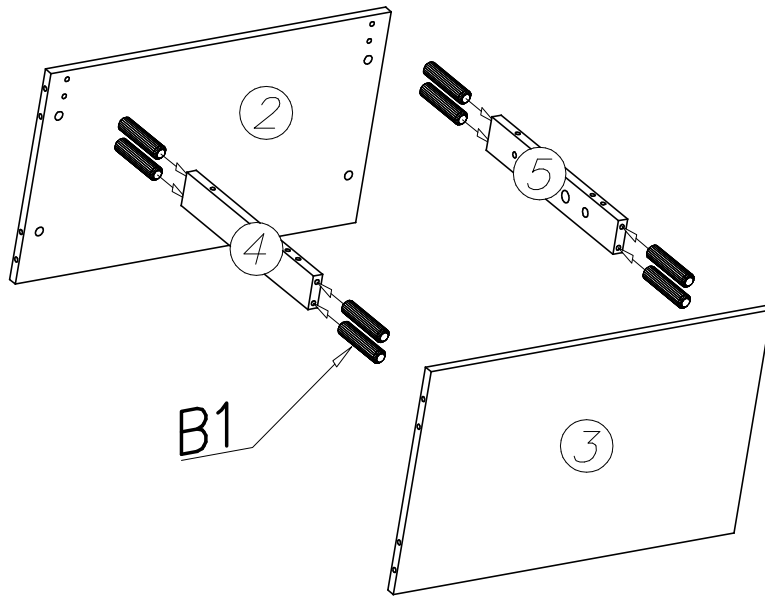
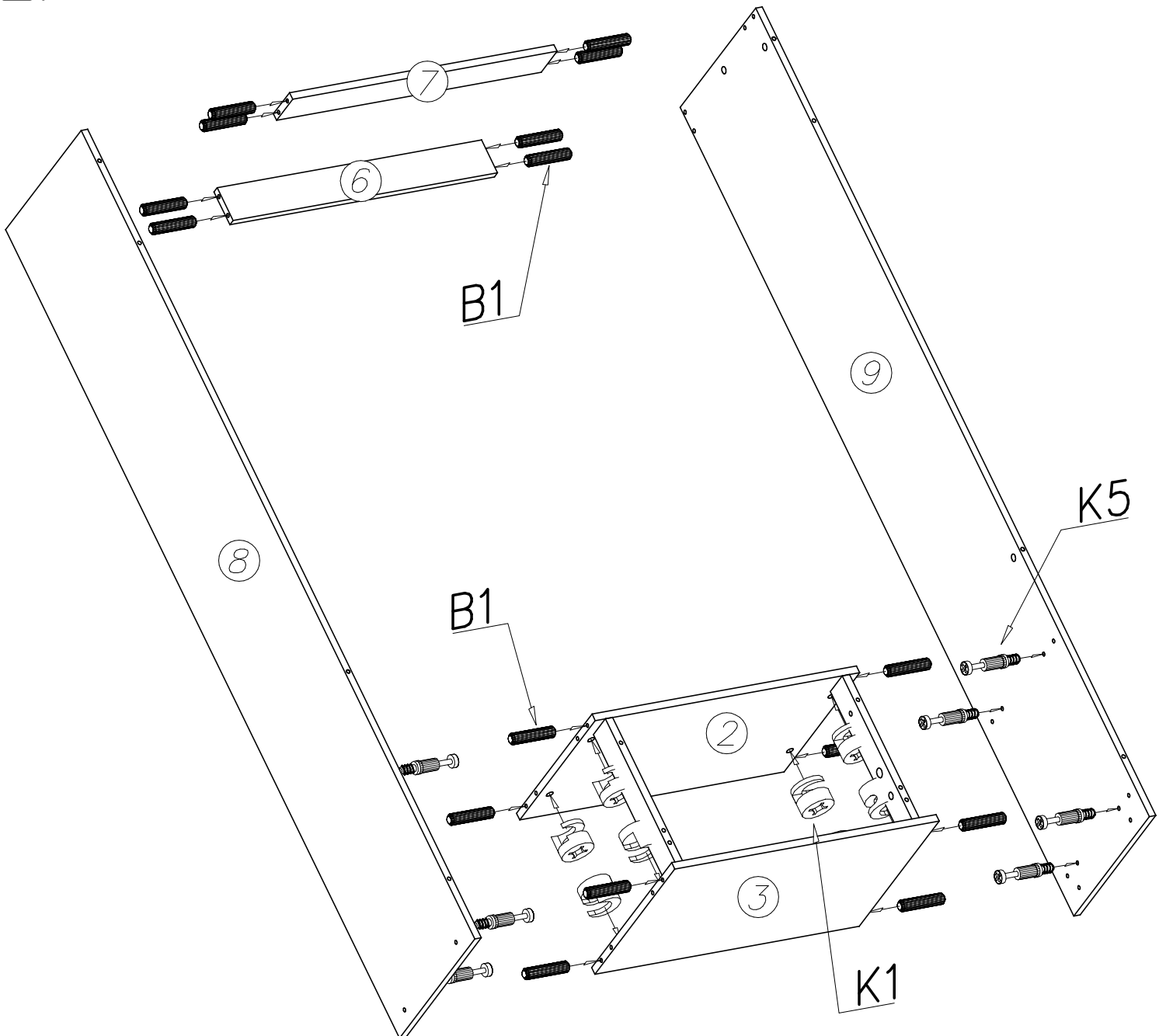


	R3 x1	B1 $\varnothing 8 \times 35$ x38	E6 x1	O1 x2
C5 Z35R0 x3	D5 PZ35R0 x3	G4 4x16 x18	N13 M4x20 x3	
O11 x2	G21 3x16 x60	O3 x2	O4 x2	E7 x1
G3 4x30 x4	P4 x4	K1 $\varnothing 15 \times 12$ x16	I7 x16	K5 x16

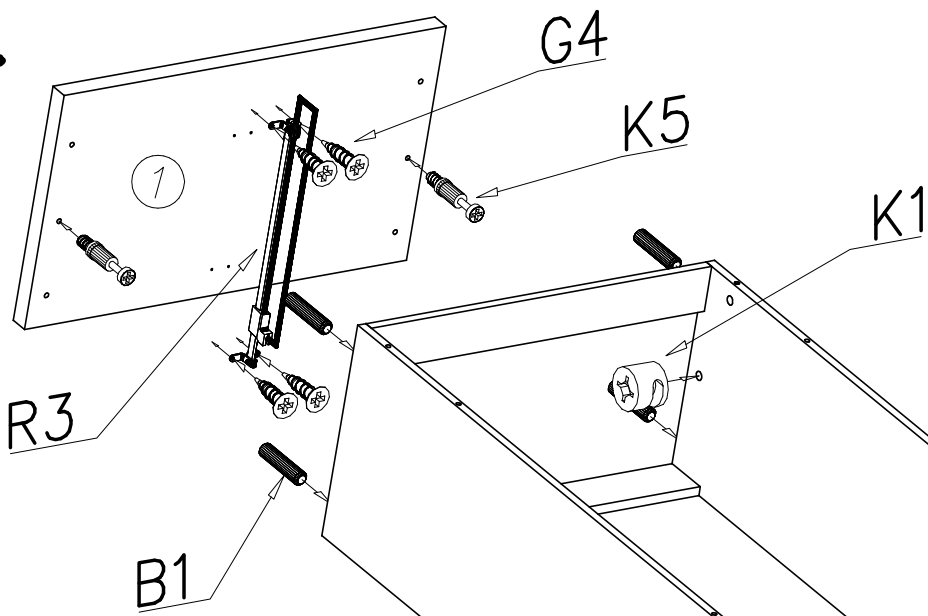
1.



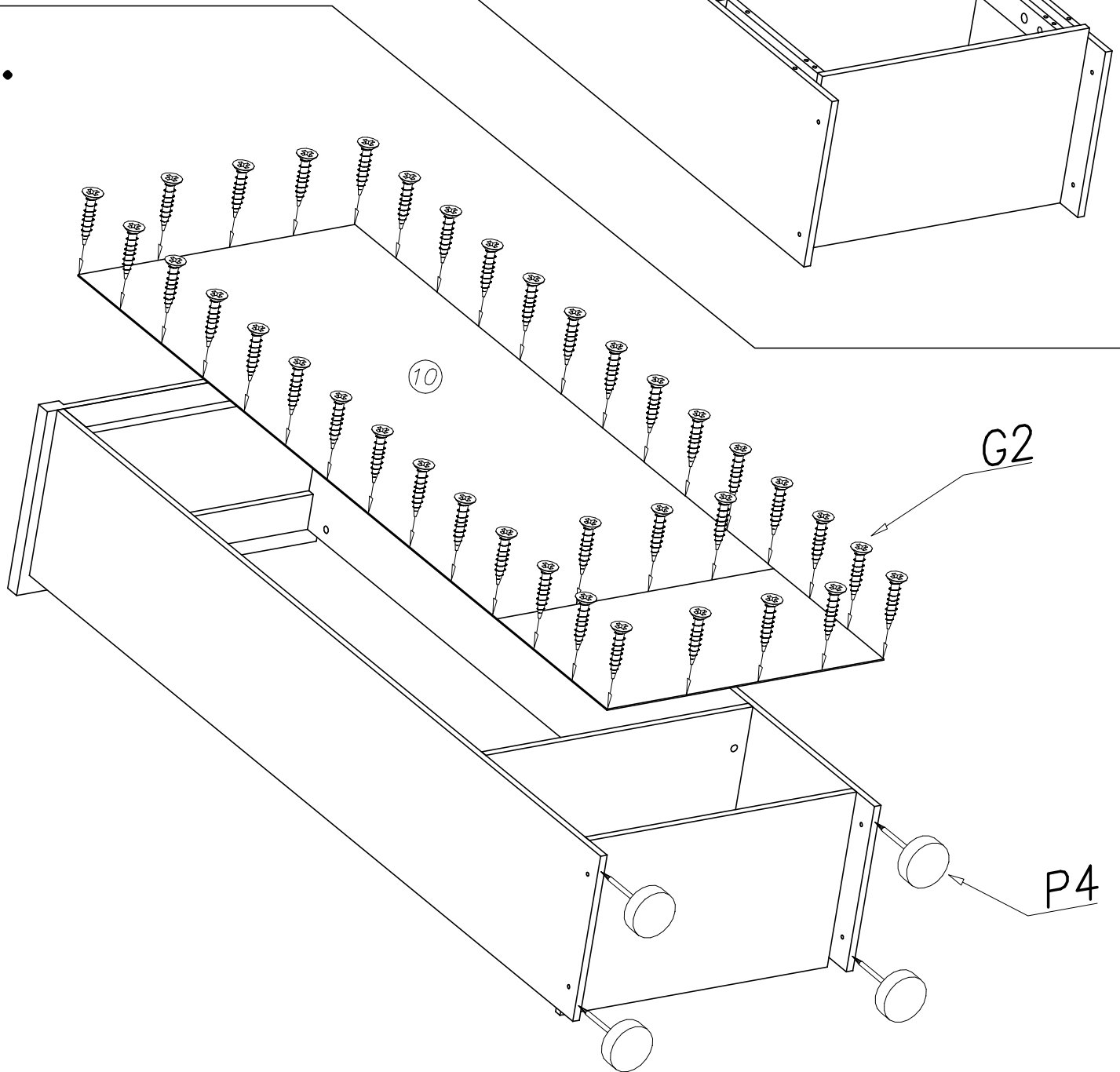
2.



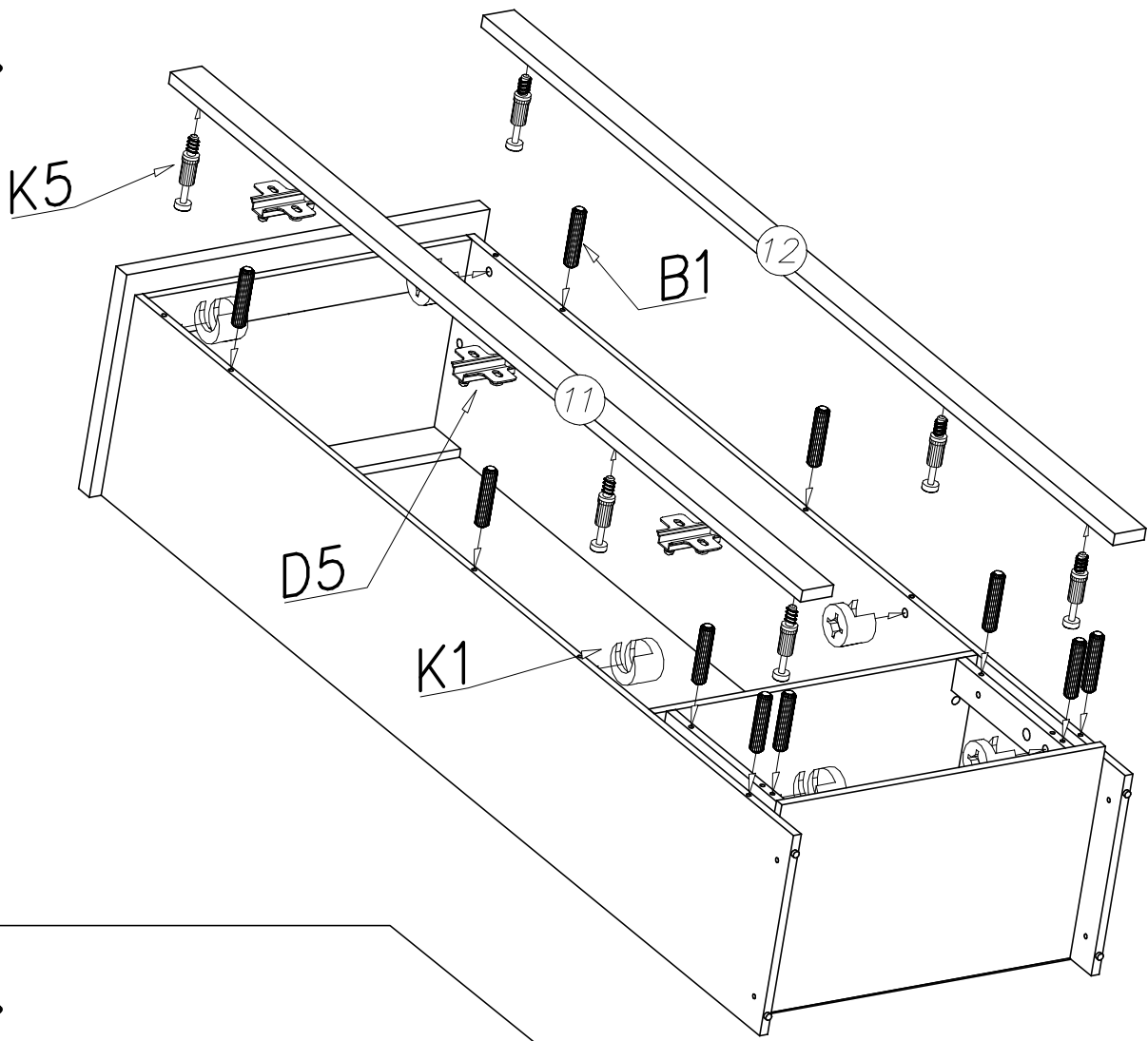
3.



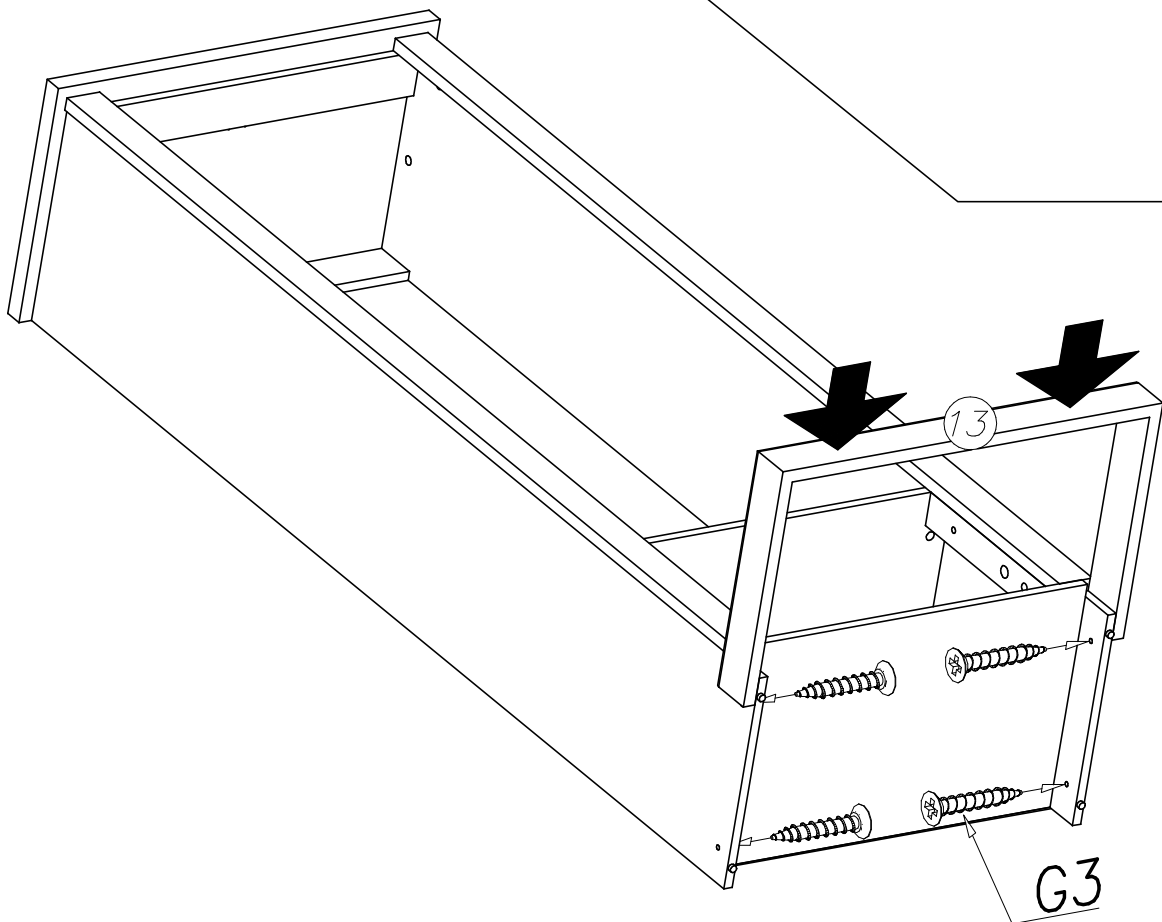
4.



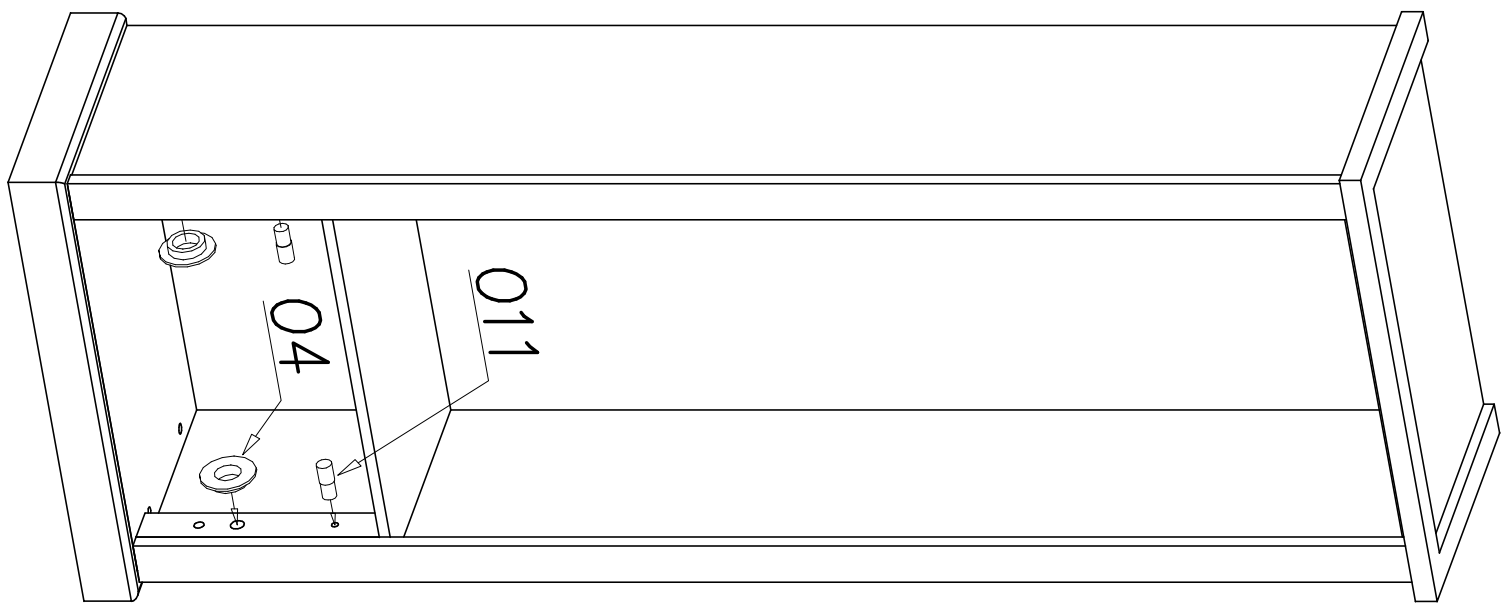
5.



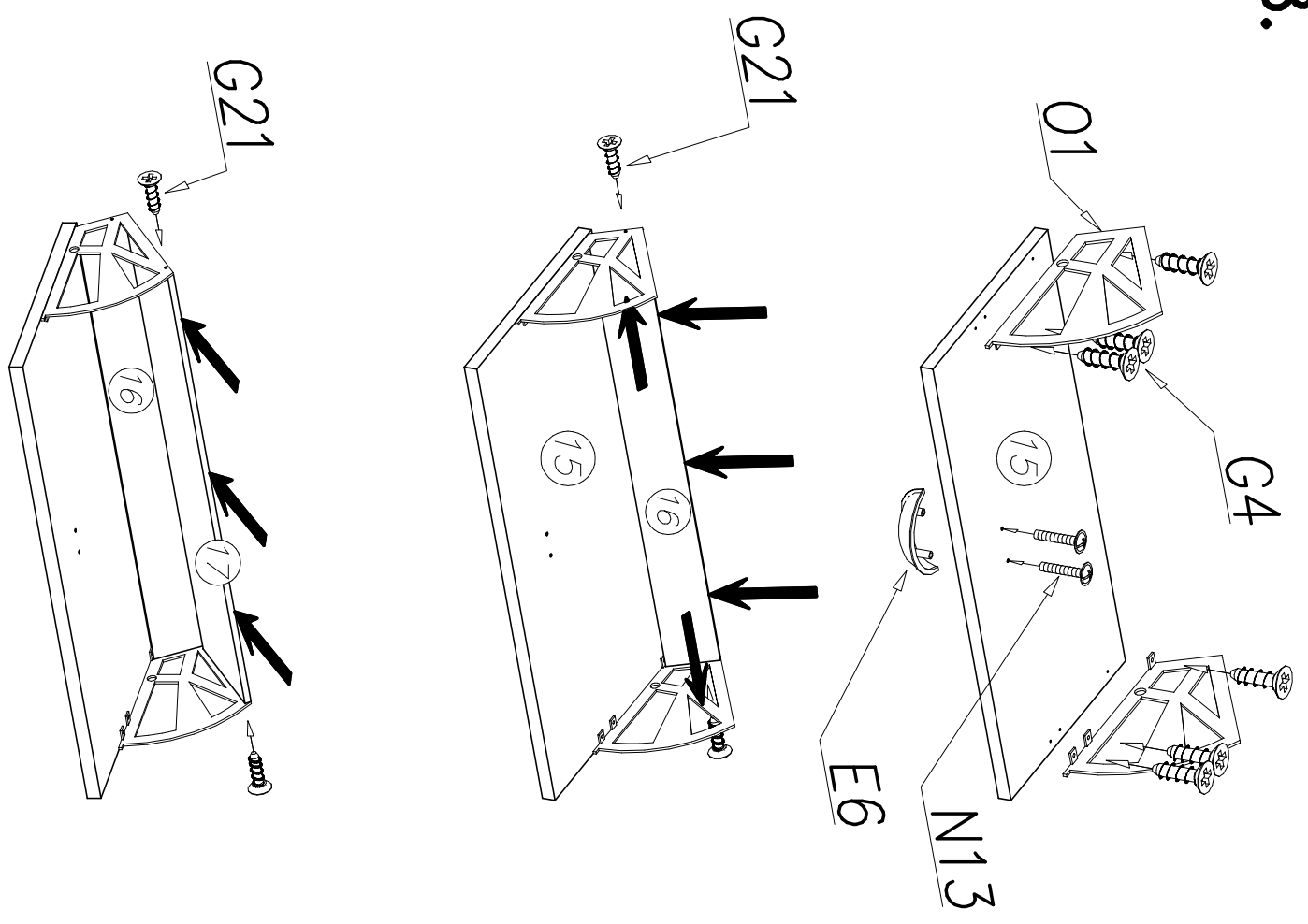
6.



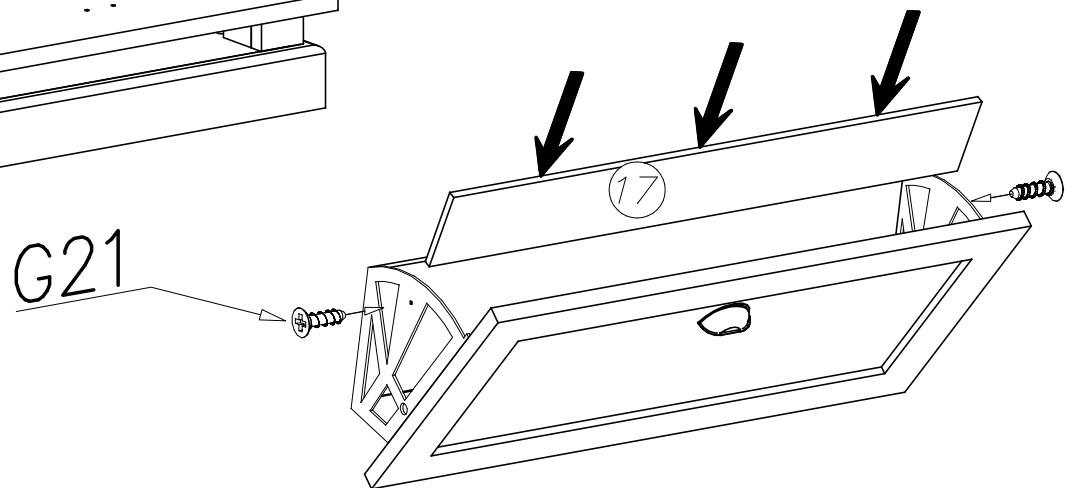
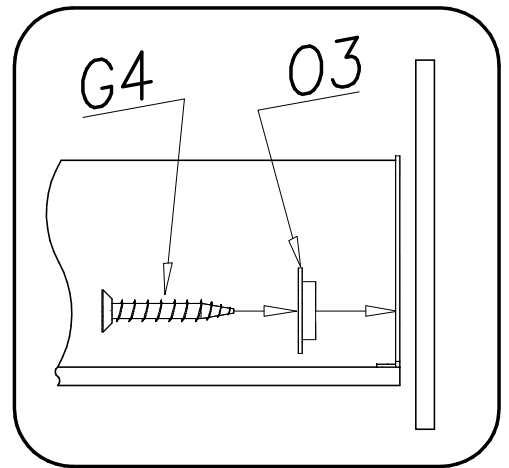
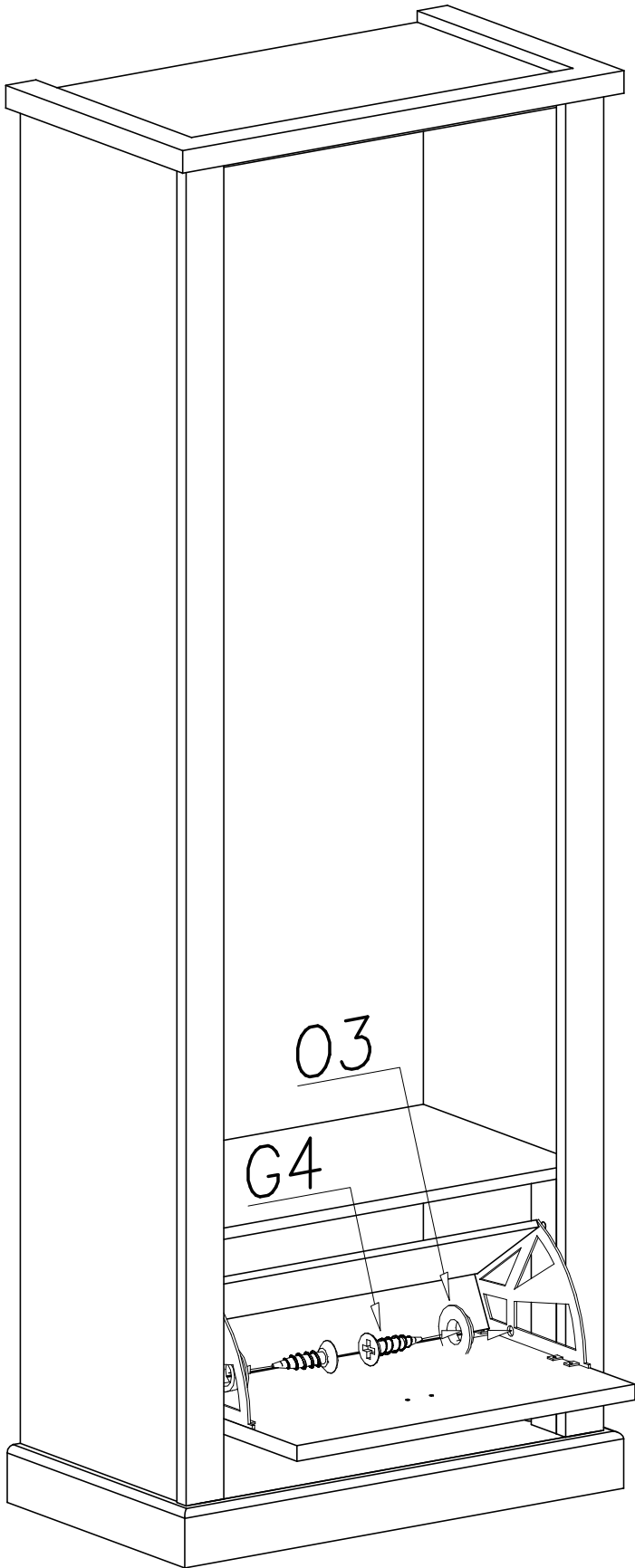
7.



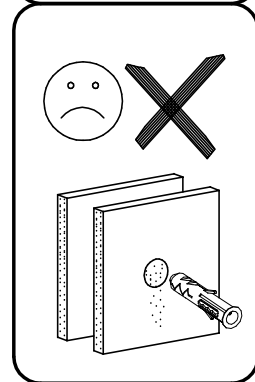
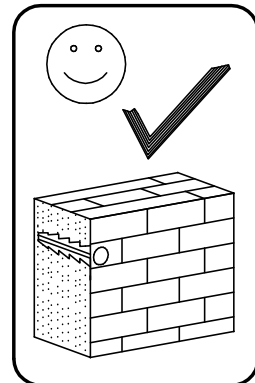
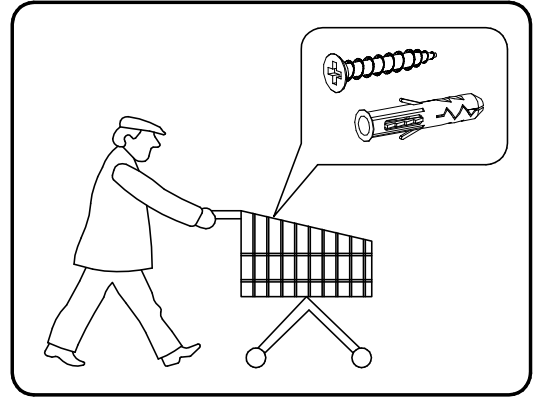
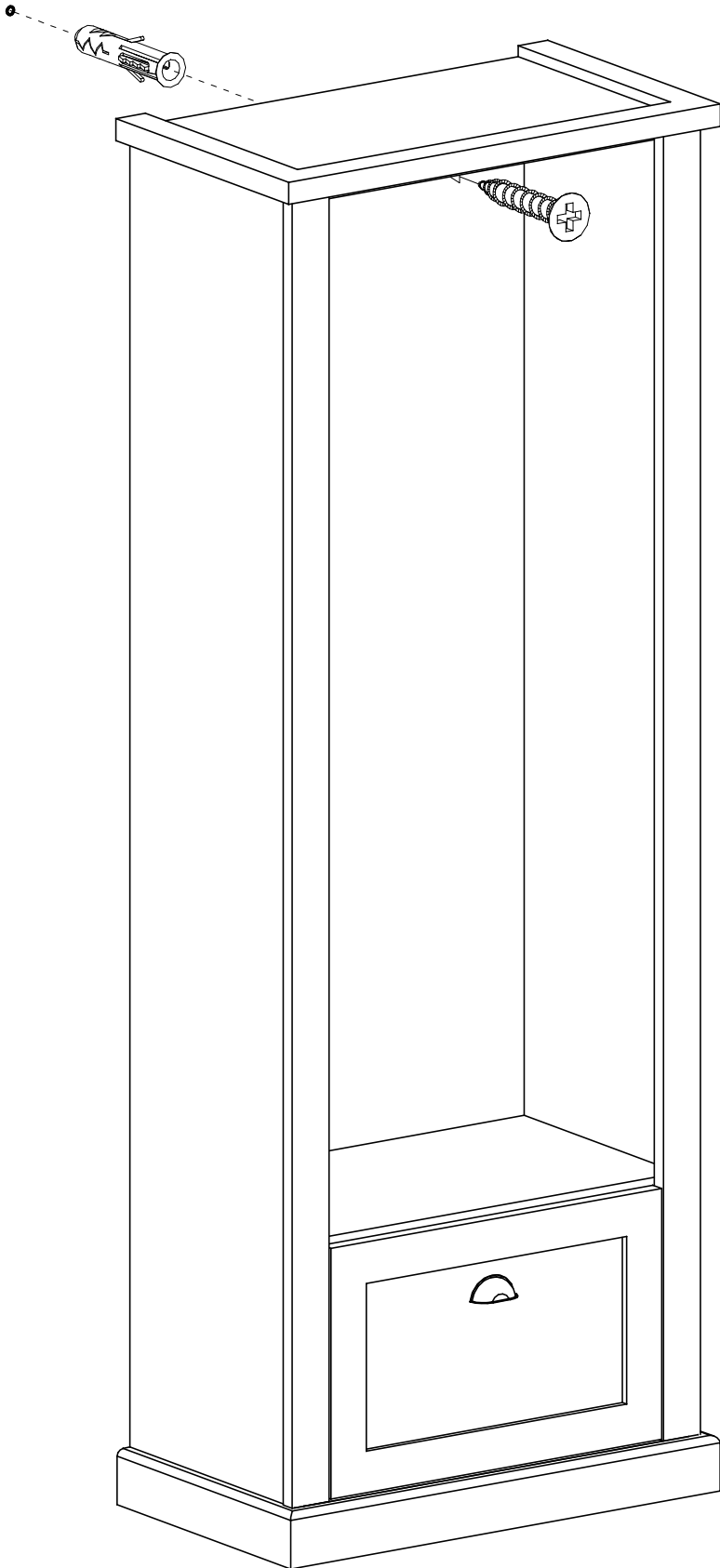
8.



9.



10.



11.

