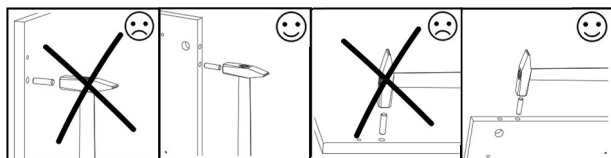
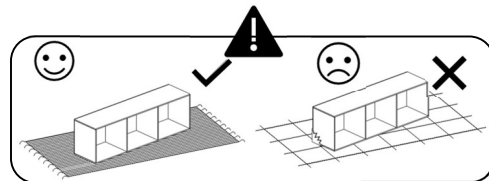
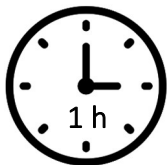
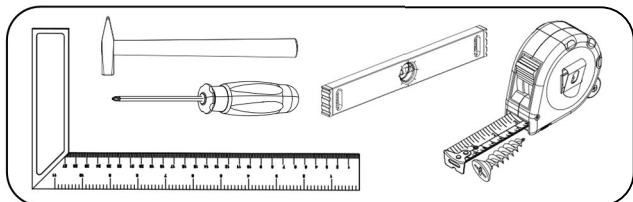
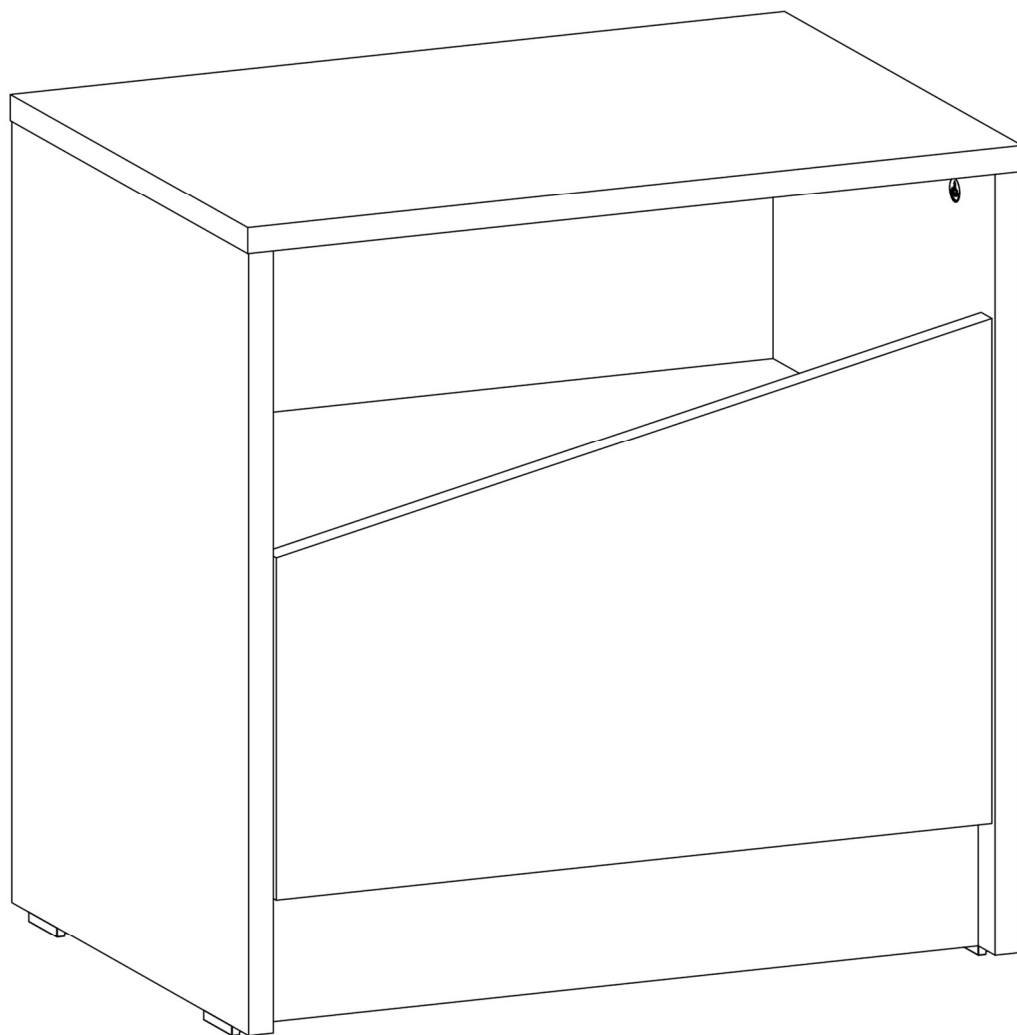
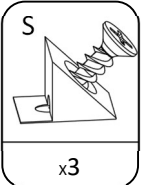
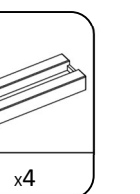
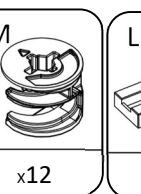
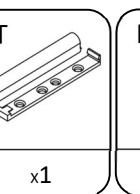
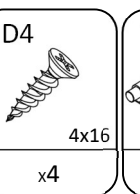
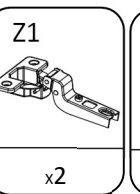
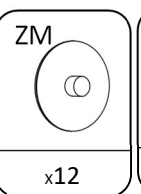
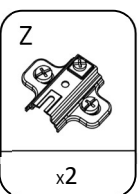
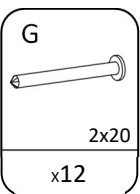
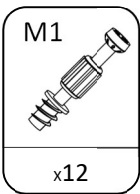
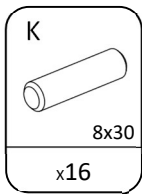
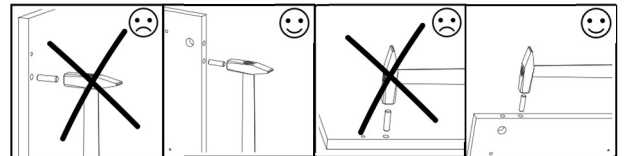
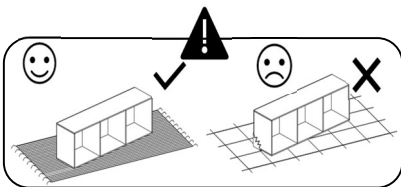
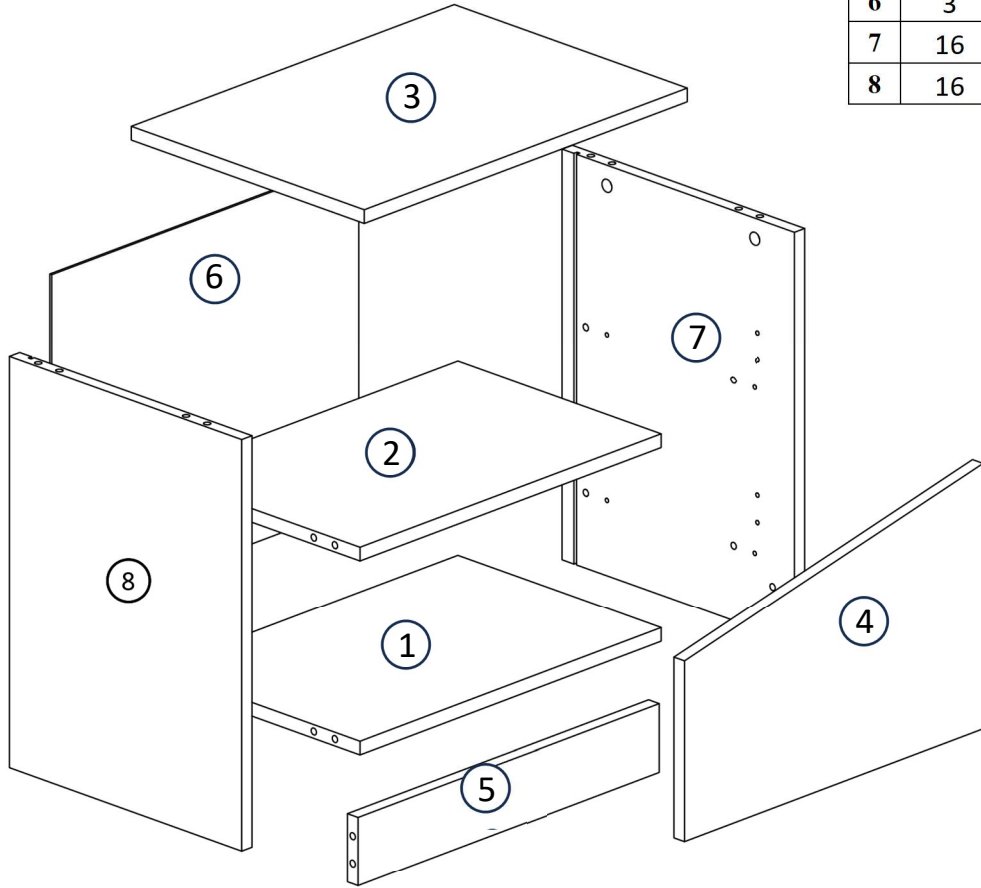


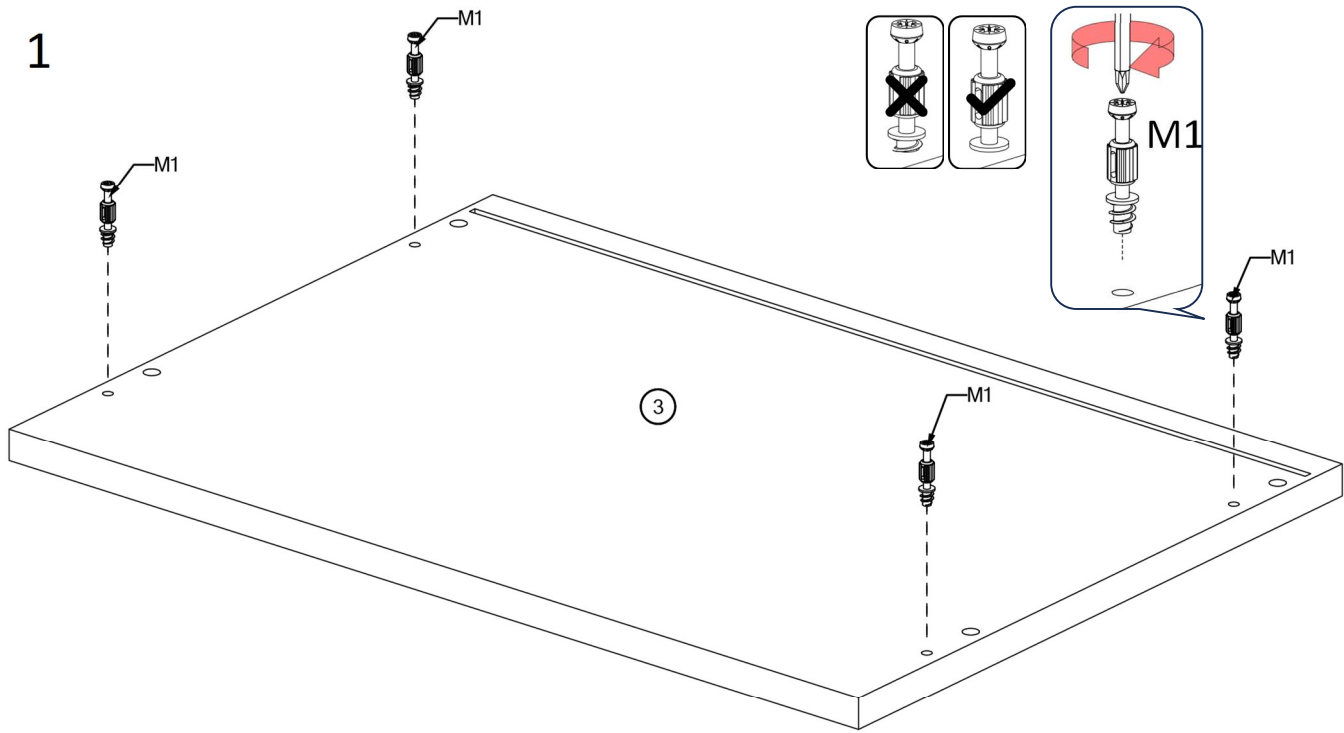
Szafka Nocna I Atson



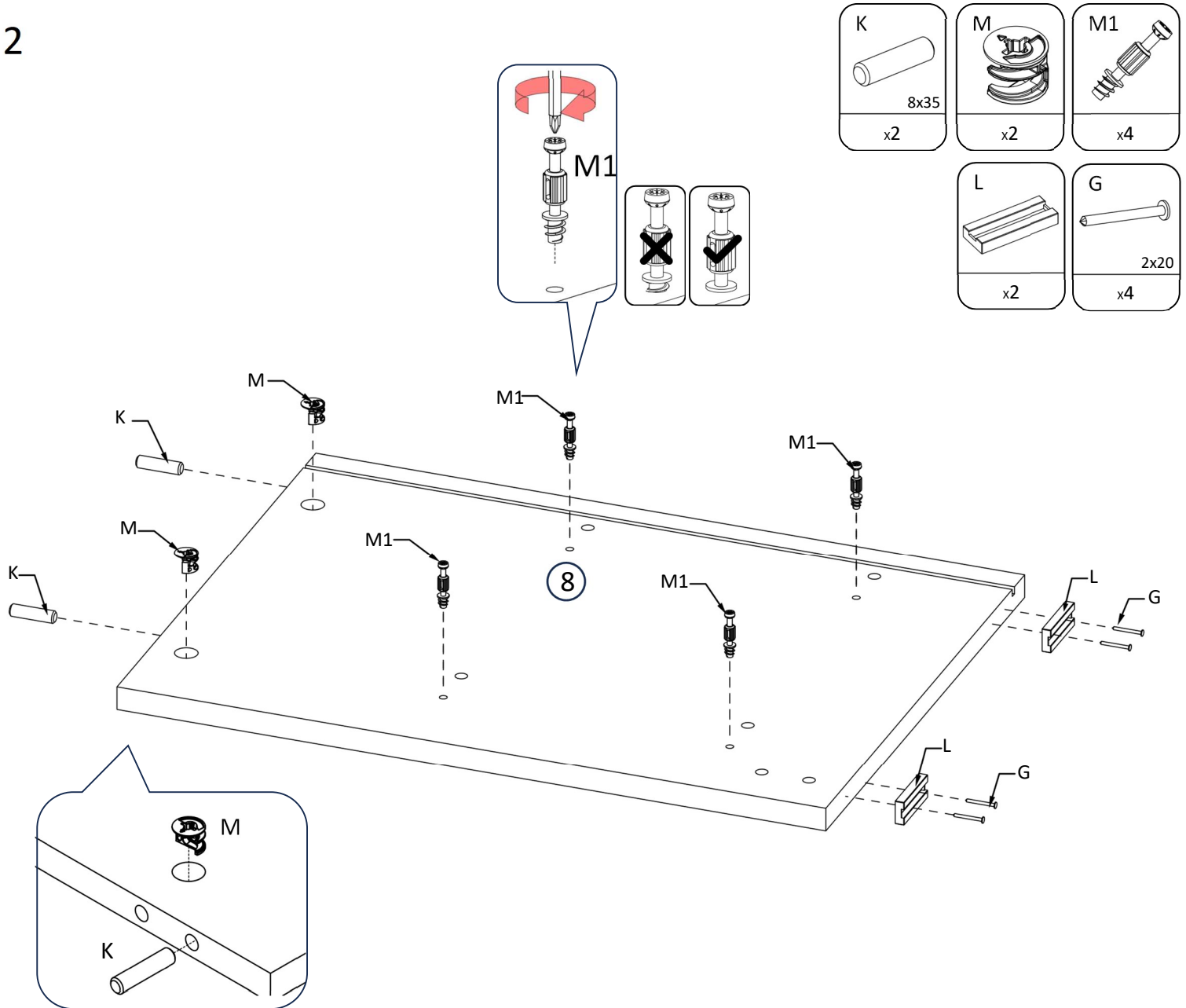
| No | T(mm) | L(mm) | W(mm) | Stc. |
|----|-------|-------|-------|------|
| 1 | 16 | 468 | 308 | 1 |
| 2 | 16 | 468 | 308 | 1 |
| 3 | 16 | 502 | 353 | 1 |
| 4 | 16 | 310 | 464 | 1 |
| 5 | 16 | 468 | 80 | 1 |
| 6 | 3 | 477 | 403 | 1 |
| 7 | 16 | 458 | 352 | 1 |
| 8 | 16 | 458 | 352 | 1 |



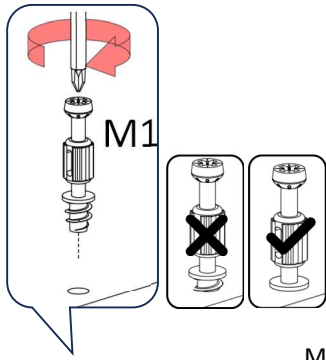
1



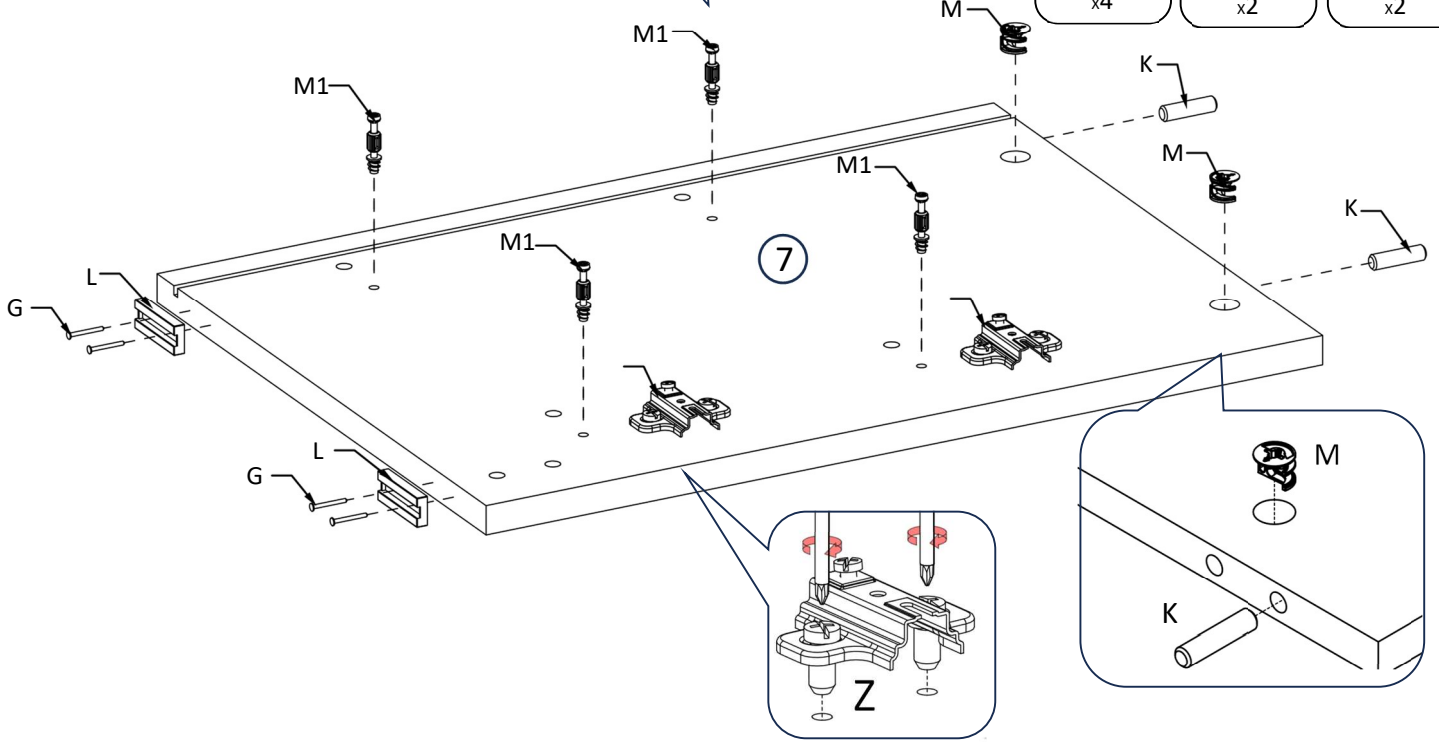
2



3

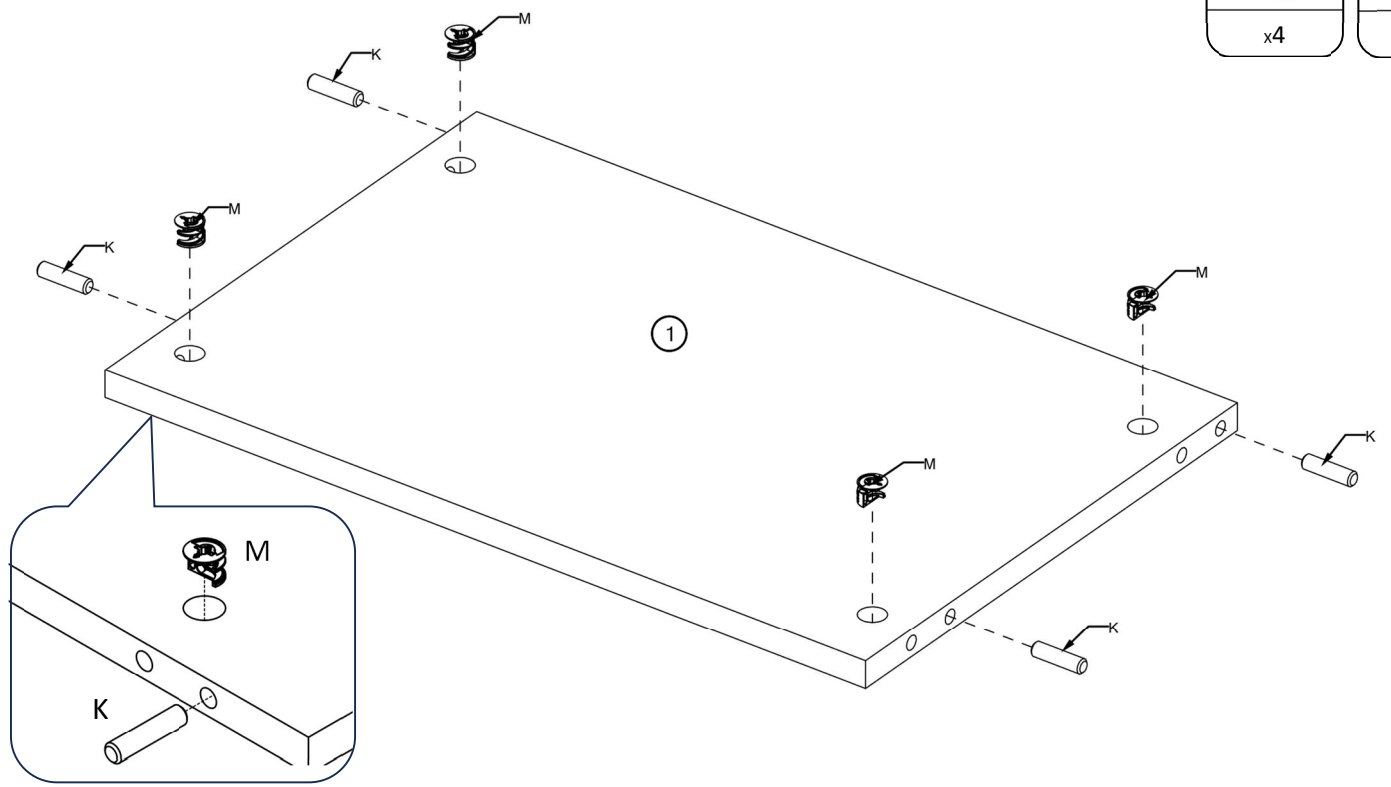


| | | |
|------------------------|----------------|-----------------|
| K 8x35 x2 | M x2 | M1 x4 |
| G 2x20 x4 | L x2 | Z x2 |

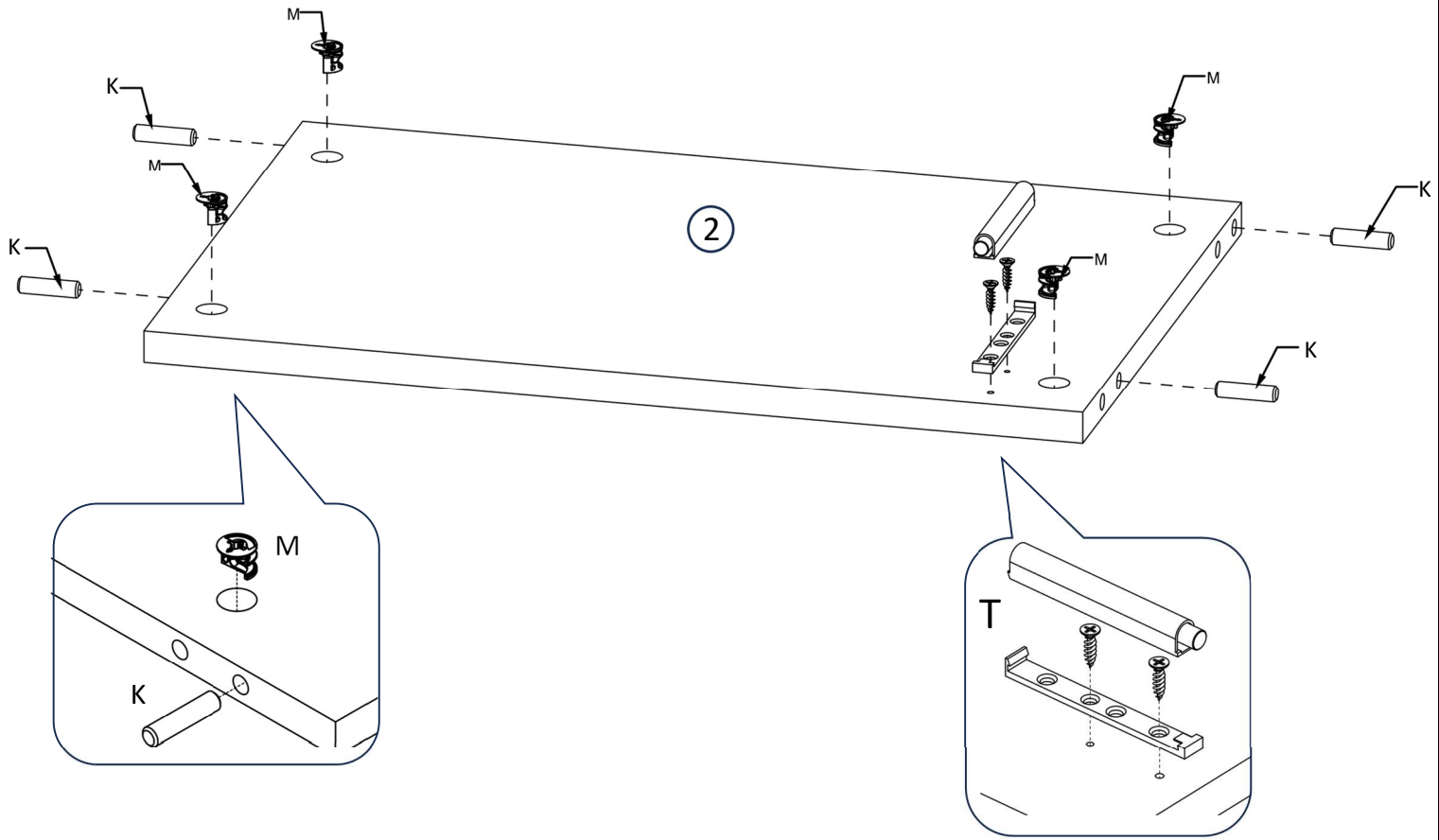
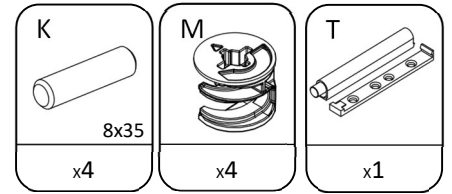


4

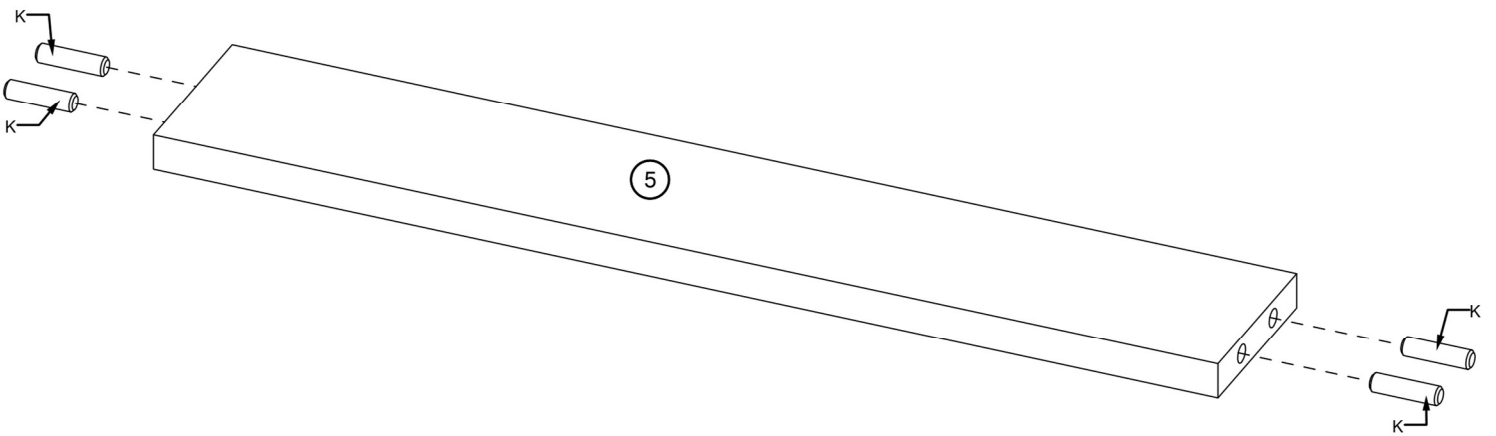
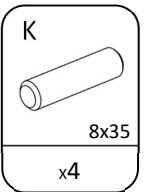
| | |
|----------------|------------------------|
| M x4 | K 8x35 x4 |
|----------------|------------------------|



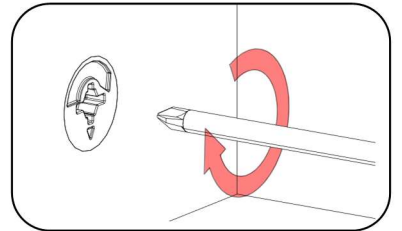
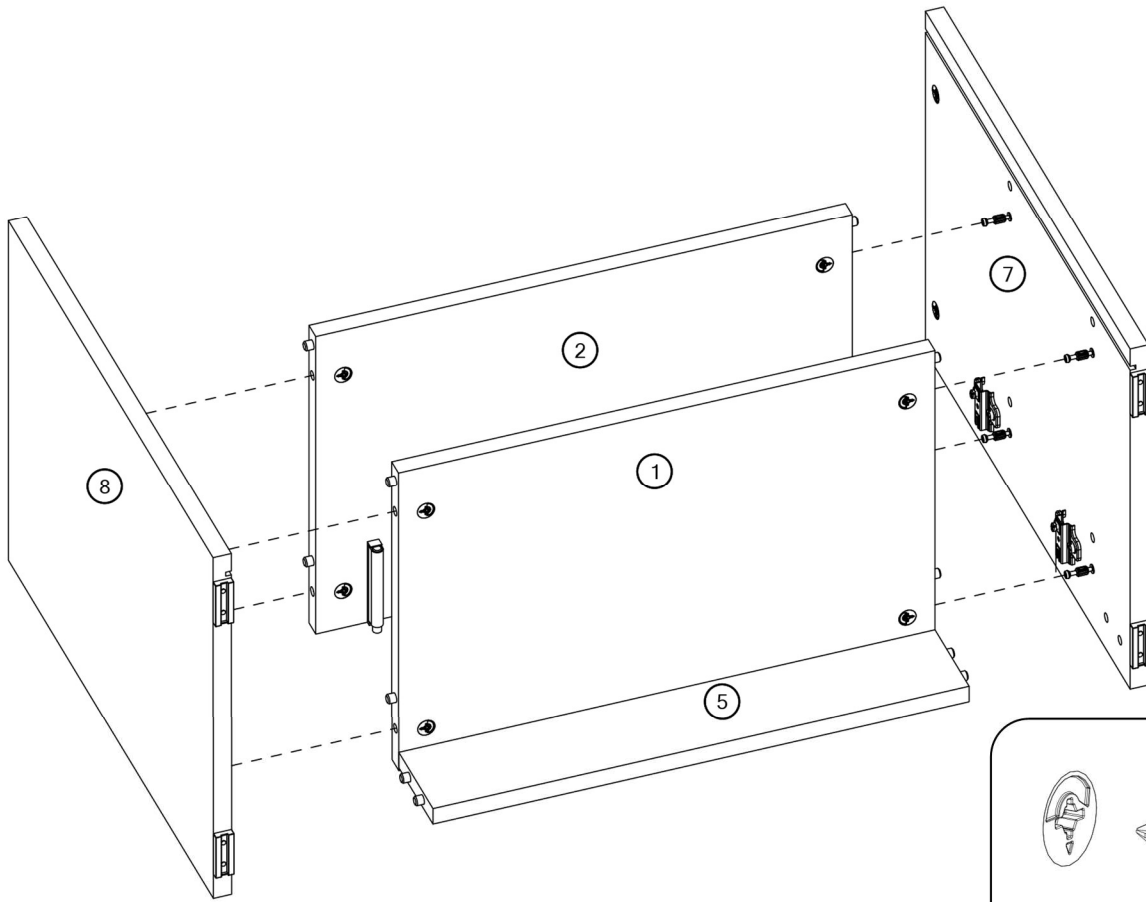
5



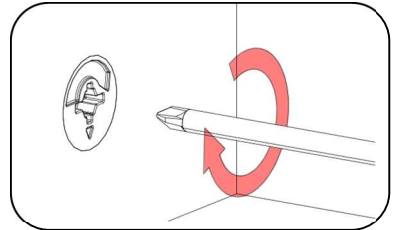
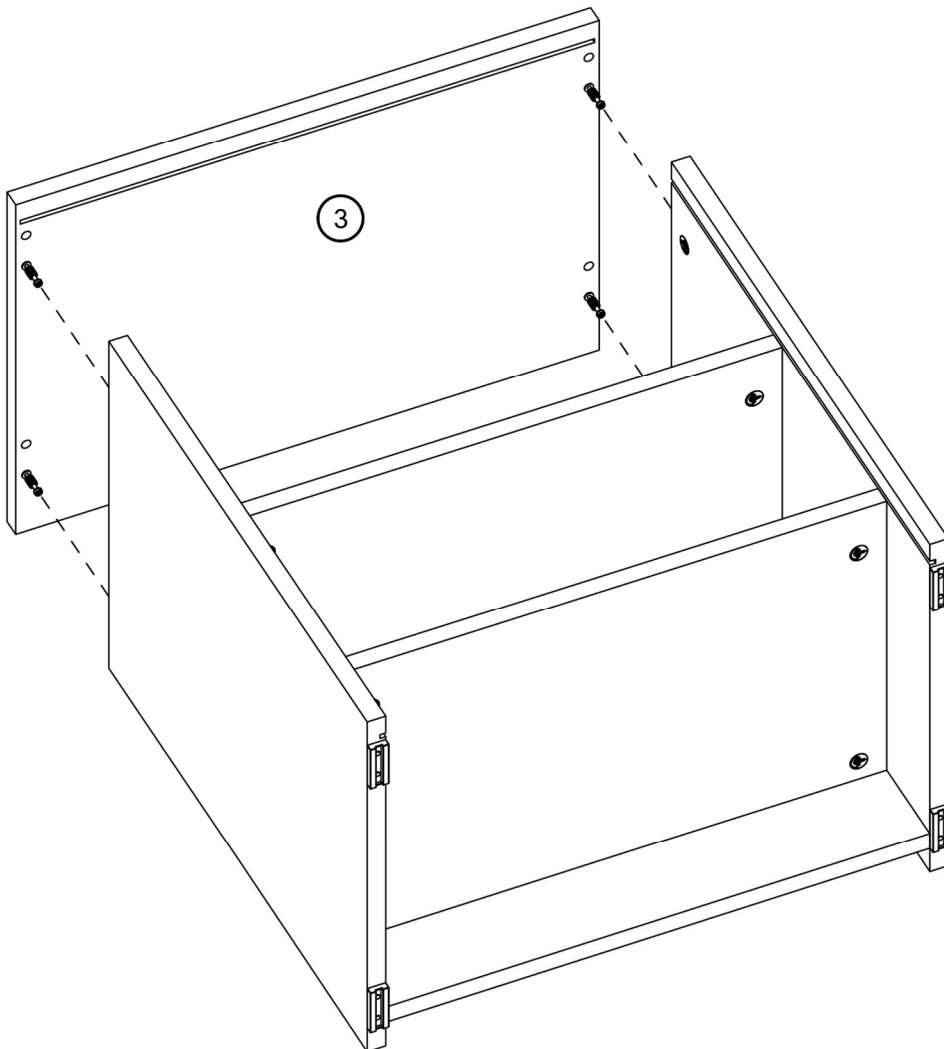
6



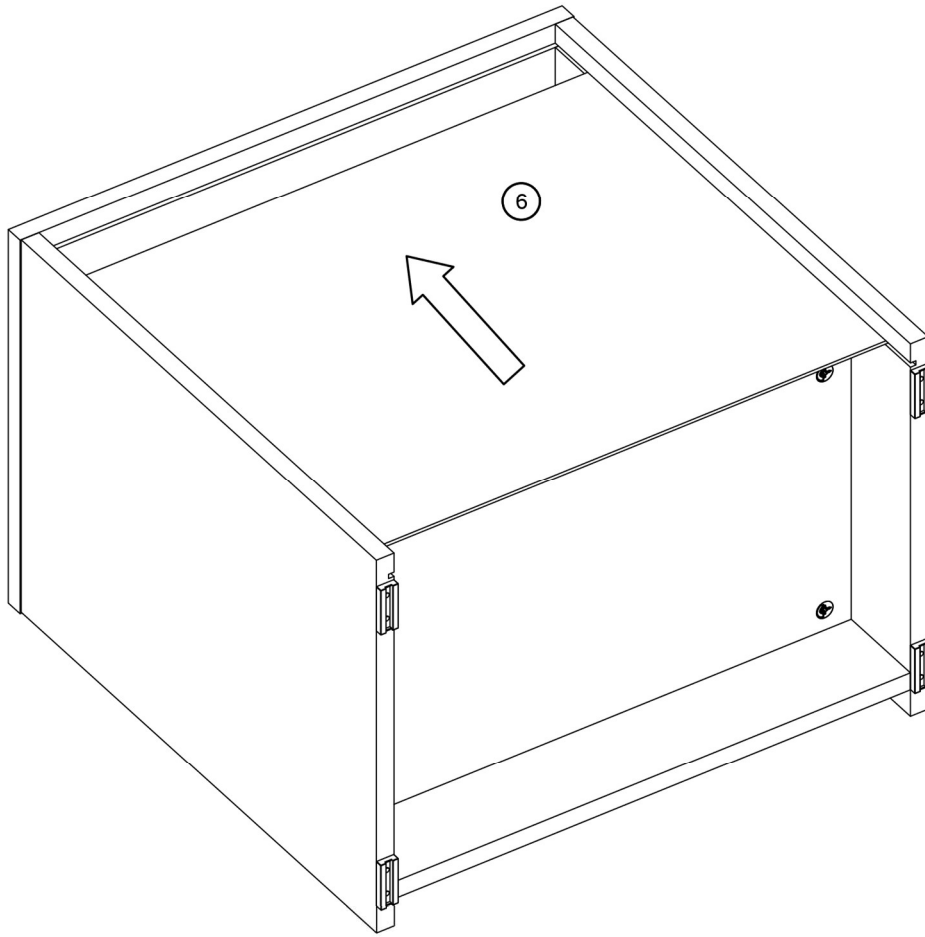
7



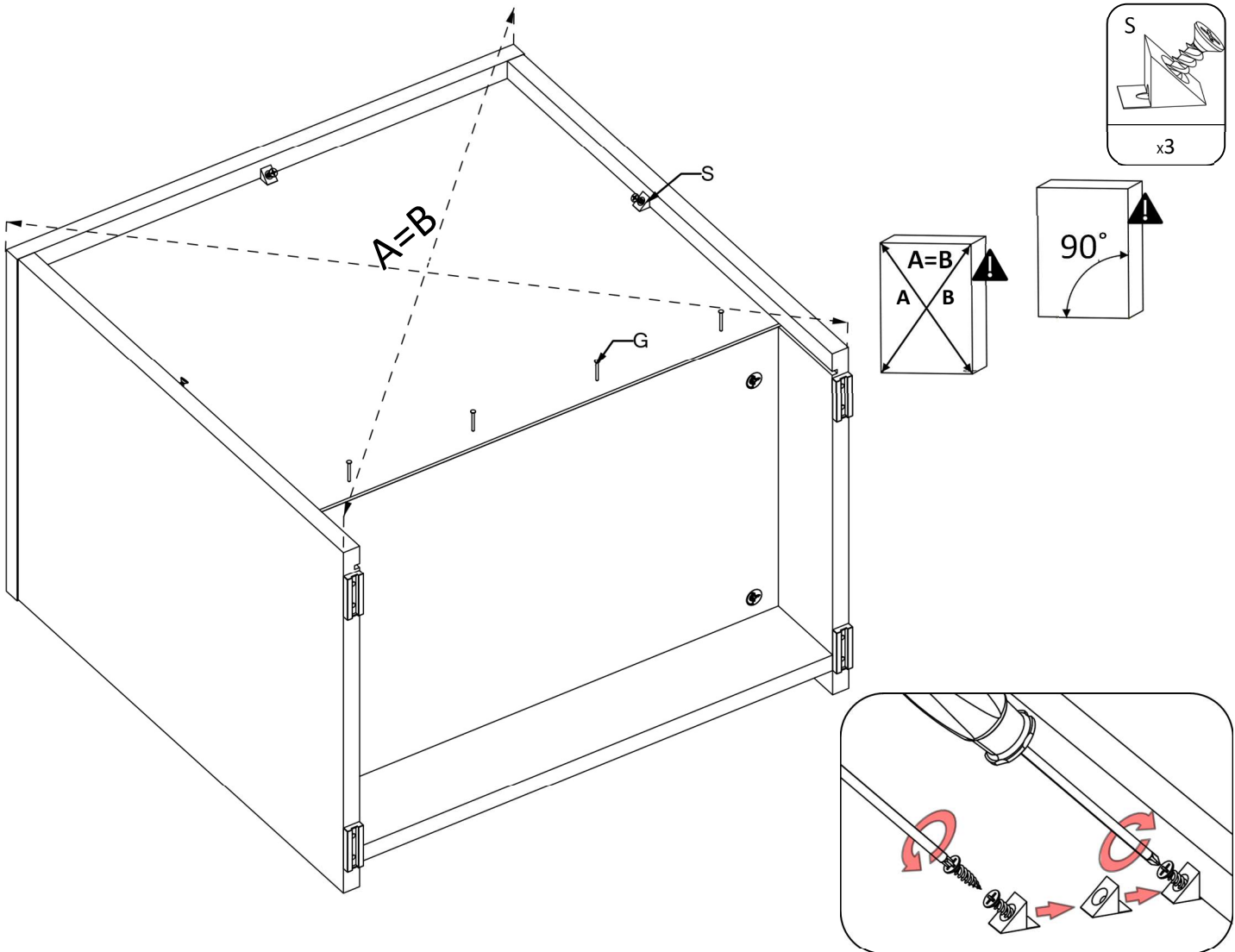
8



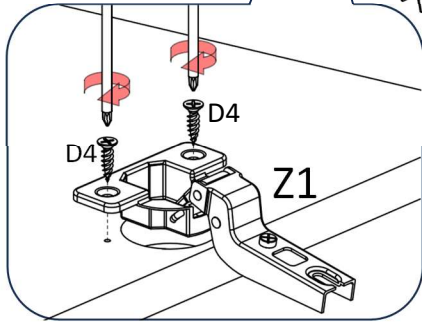
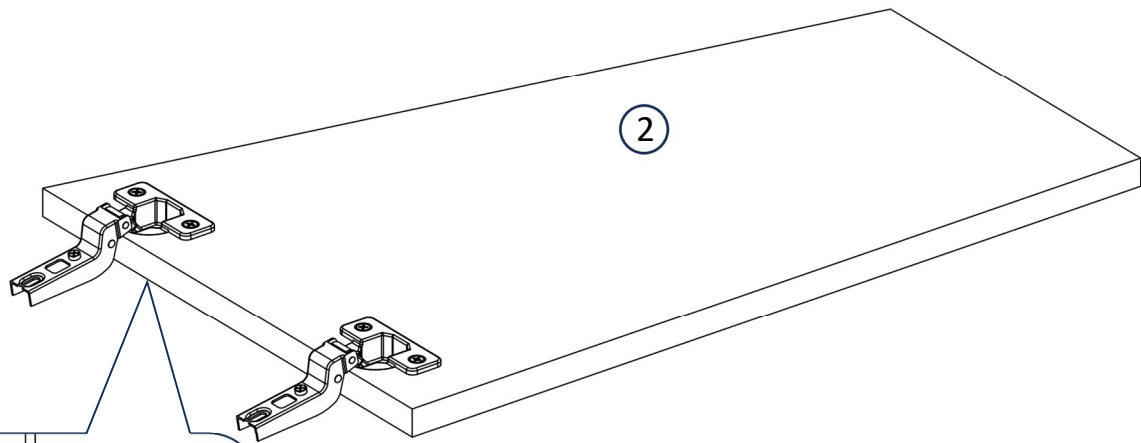
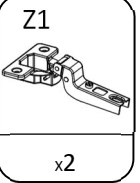
9



10



11



12

