



### TECHNICAL SPECIFICATIONS

Since the iron is mono block, it can be easily used by the operator. In order to prevent risks such as finger entrapment during use, safety precautions have been taken with a protection switch. Ironing belts are made of "Nomex" material resistant to 220°C high temperature. All controls are placed on the front of the machine and are easy to use. There is a clamshell section that protects the electrical and gas components. Thanks to its special design, it operates without noise and with minimum vibration level, providing low energy consumption and high efficiency. Safety thermostat against overheating. The carcass is painted with electrostatic powder paint. Thanks to its superior adhesion feature, it shows great resistance against corrosion, mechanical and chemical impacts, heat, weather conditions and provides quality coating. It has pressure rollers that provide excellent ironing quality. It provides faster ironing thanks to its extended heat transfer surface.

### GENERAL FEATURE

Easy to use, manual control panel. Galvanized roller for better heat conduction. Two-way rotary belt system. Stainless steel hood adapted to the machine to collect moisture and steam. Quiet operation and superior ironing quality.

### CONSTRUCTION FEATURES

Powder coated carcass and galvanized cylinder.

### SAFETY EQUIPMENT &

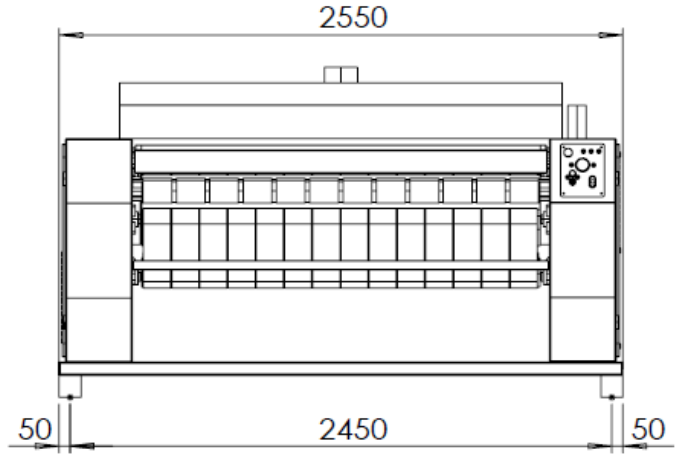
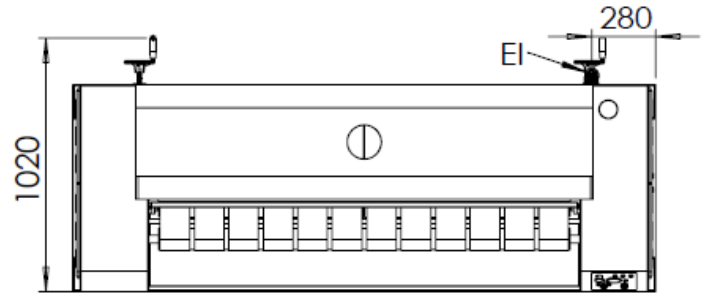
### APPROVALS

CE certification for all directives and regulations.

<b>PRODUCT CODE</b>	VLRI32180G
<b>DIMENSIONS</b>	2550x1020x1170 mm
<b>PACKAGE SIZES</b>	2600x1070x1220 mm
<b>WEIGHT</b>	825 kg
<b>PACKAGE WEIGHT</b>	835 kg
<b>TOTAL POWER</b>	13 kW
<b>CYLINDER DIMENSION</b>	320x1800
<b>MOTOR POWER</b>	750 W
<b>ELECTRICAL VOLTAGE</b>	380-400 VAC 3N 50 Hz
<b>CABLE CROSS SECTION</b>	5X1.5 mm <sup>2</sup>
<b>INJECTOR</b>	NG (G20) 2.40 mm
	LPG (G30) 2.00 mm
<b>GAS INLET</b>	R 1/2
<b>GAS COMSUMPTION</b>	1.376 max. / 0.722 min G20(m <sup>3</sup> /h)
	1.025 max. / 0.538 min. G30 (kg/h)

EI=ELECTRICAL CONNECTION

G=GAS INLET

**FRONT**

**TOP**

**SIDE**
