

## DS-2XE6222F-IS, DS-2XE6222F-IS/316L 2 MP Explosion-Proof Network Bullet Camera



II 2 G D Ex db IIC T6 Gb/Ex tb IIIC T80°C Db IP68  
Ex db IIC T6 Gb/Ex tb IIIC T80°C Db IP68

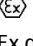
### Key Features

- Up to 2 MP high resolution
- 4 mm/6 mm/8 mm/12 mm lens optional
- 120dB Wide Dynamic Range
- H.265, H.265+, H.264, H.264+
- Three video streams
- 6 behavior analyses, 2 exception detections, 1 recognition
- Support on-board storage, up to 128GB
- Housing material: stainless steel 304 and 316L, optional
- IR range: 30 m
- AC 100V to 240V/PoE
- IK10

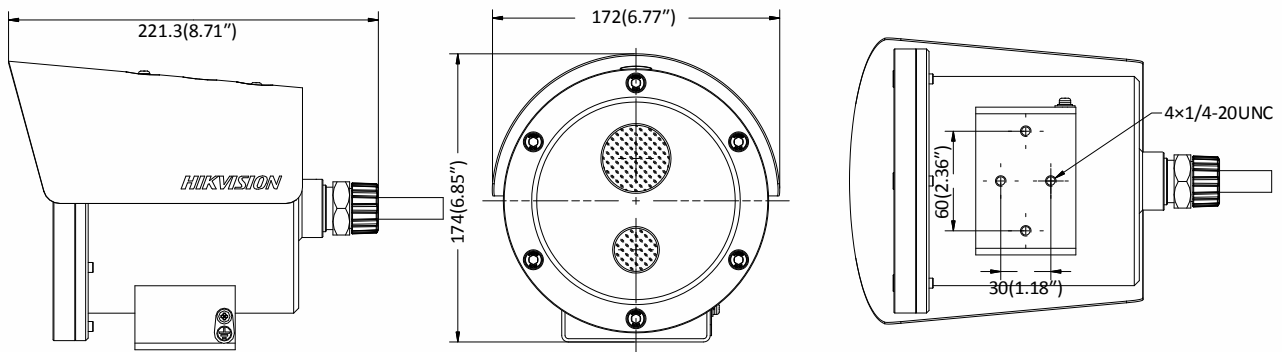


## Specifications

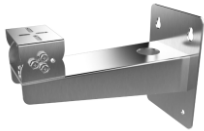
<b>Camera</b>	
Image Sensor	1/2.7" Progressive Scan CMOS
Min. Illumination	0.01Lux @(F1.2,AGC ON) ,0 Lux with IR on
Shutter Speed	1 s to 1/100,000 s, support slow shutter
Lens	4 mm, horizontal field of view: 91° 6 mm, horizontal field of view: 60° 8 mm, horizontal field of view: 41.5° 12 mm, horizontal field of view: 26.6°
Lens Mount	M12
Day &Night	IR cut filter
DNR	3D DNR
Wide Dynamic Range	120dB
<b>Compression Standard</b>	
Video Compression	Main stream: H.265/H.264 Sub stream: H.265/H.264/MJPEG Third stream: H.265/H.264
H.264 Type	Baseline profile/main profile/high profile
H.264+	Support
H.265 Type	Main profile
H.265+	Support
Video Bit Rate	32 Kbps to 16 Mbps
<b>Image</b>	
Max. Resolution	1920 × 1080
Main Stream Max. Frame Rate	50Hz: 25fps (1920 × 1080, 1280 × 960, 1280 × 720) 60Hz: 30fps (1920 × 1080, 1280 × 960, 1280 × 720)
Sub Stream Max. Frame Rate	50Hz: 25fps (704 × 576, 640 × 480, 352 × 288, 320 × 240) 60Hz: 30fps (704 × 480, 640 × 480, 352 × 240, 320 × 240)
Third Steam Max. Frame Rate	50Hz: 25fps (1920 × 1080, 1280 × 960, 1280 × 720, 704 × 576, 640 × 480, 352 × 288, 320 × 240) 60Hz: 30fps (1920 × 1080, 1280 × 960, 1280 × 720, 704 × 480, 640 × 480, 352 × 240, 320 × 240)
Image Enhancement	BLC/3D DNR
Image Settings	Support rotate mode. Saturation, brightness, contrast, etc., adjustable by client software or web browser
Region of Interest	Support 4 customized region for each stream, and face dynamic tracking
Target Cropping	Support
Day/Night Switch	Auto/Schedule/Triggered by Alarm In
Picture Overlay	LOGO picture can be overlaid on video with 128 × 128 24bit bmp format
<b>Network</b>	
Network Storage	Support microSD/SDHC/SDXC card (up to 128 GB) local storage and NAS (NFS,SMB/CIFS), ANR
Alarm Trigger	Motion detection, tampering alarm, HDD full, HDD error, network disconnected, IP address conflicted, illegal login
Protocols	TCP/IP, ICMP, HTTP, HTTPS, FTP, DHCP, DNS, DDNS, RTP, RTSP, RTCP
Standard	ONVIF (PROFILE S, PROFILE G), ISAPI
General Function	Mirror, anti-flicker, heartbeat, watermark, password protection, privacy mask

<b>Interface</b>	
Communication Interface	1 RJ45 10M/100M self-adaptive Ethernet port
Alarm	2 alarm input, 2 alarm output
<b>Available Models</b>	
Built-in microSD/SDHC/SDXC slot, up to 128GB	
<b>Smart Feature-set</b>	
DS-2XE6222F-IS (4/6/8/12mm), DS-2XE6222F-IS/316L (4/6/8/12mm)	
Behavior Analysis	Line crossing detection, intrusion detection, region entrance detection, region exiting detection, unattended baggage detection, object removal detection
<i>*You are recommended to purchase memory card together with the product if needed. After ordering, the memory card will be installed to product during manufacturing.</i>	
Line Crossing Detection	Cross a pre-defined virtual line
Intrusion Detection	Enter and loiter in a pre-defined virtual region
Region Entrance Detection	Enter a pre-defined virtual region from the outside place
Region Exiting Detection	Exit from a pre-defined virtual region
Unattended Baggage	Objects left over in the pre-defined region such as the baggage, purse, dangerous materials
Object Removal	Objects removed from the pre-defined region, such as the exhibits on display.
Exception Detections	Scene change detection, defocus detection
Recognition	Face detection recognition
<b>General</b>	
Operating Conditions	-30°C to +60 °C (-22 °F to +140 °F), Humidity 95% or less (non-condensing)
Power Supply	AC 100 V to 240 V, 0.1A, terminal block PoE (802.3af, class 3), 0.2A
Power Consumption	Max. 7W
Ingress Protection	IK10
IR Range	30 m
Housing Material	DS-2XE6222-IS: Stainless steel 304 DS-2XE6222-IS/316L: Stainless steel 316L
Explosion-Proof	ATEX:  II 2 G D Ex db IIC T6 Gb/Ex tb IIIC T80°C Db IP68 IECEx: Ex db IIC T6 Gb/Ex tb IIIC T80°C Db IP68 For explosive gas atmospheres, the maximum surface temperature is 85°C; For flammable dust atmospheres, the maximum surface temperature is 80°C; IIC: for explosive gas atmospheres other than mines susceptible to firedamp; For explosive gas mixture atmospheres: Zone 1, Zone 2, Zone 21, Zone 22.
Dimensions	Camera: 221.3 × 174 × 172 mm (8.71" × 6.85" × 6.77") Package: 435 × 255 × 285 mm (17.1" × 10" × 11.2")
Weight	7.4 kg (3.4 lb.)
<b>Approval</b>	
EMC	FCC: FCC-SDoC(ANSI C63.4,FCC Part15 sub B) CE: CE-EMC(EN 50130-4:2011+A1:2014,EN 55032:2015,EN 61000-3-2:2014,EN 61000-3-3:2013) RCM: AS/NZS 60950.1:2003 + Am1, Am2 and Am3,AS/NZS CISPR 32:2015 IC: IC-VoC(ICES-003 Issue 7:2020) KC: KN 301489-1,KN 301489-17,RRA NOTICE 2017-14(2017.12.05),RRA NOTICE 2017-19(2017.12.28)
Safety	UL: UL 60950-1:2014,CAN/CSA C22.2 No. 60950-1-07:2014 CB: IEC 60950-1
Chemistry	CE: CE-RoHS(RoHS Directive 2011/65/EU+2015/863) Reach SVHC: Regulation (EC) No 1907/2006

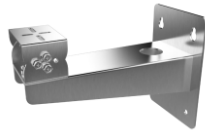
## Dimension



## Accessories



**DS-1704ZJ-Y**  
Wall mount  
(316L stainless steel)



**DS-1704ZJ**  
Wall mount  
(304 stainless steel)



**DS-1706ZJ**  
PT joint  
(304 stainless steel)



**DS-1712ZJ**  
Pendant mount  
(304 stainless steel)



Distributed by  
**DS-1677ZJ-XS-1.0 (D)**  
Flexible conduit



**DS-2780ZJ-X,**  
**DS-2780ZJ-X/316L**  
Explosion-proof terminal box

# HIKVISION

### Headquarters

No.555 Qianmo Road, Binjiang District,  
Hangzhou 310051, China  
T +86-571-8807-5998  
overseasbusiness@hikvision.com

**Hikvision USA**  
T +1-909-895-0400  
sales.usa@hikvision.com

**Hikvision Italy**  
T +39-0438-6902  
info.it@hikvision.com

**Hikvision Singapore**  
T +65-6684-4718  
sg@hikvision.com

**Hikvision Africa**  
T +27 (10) 0351172  
sale.africa@hikvision.com

**Hikvision Europe**  
T +31-23-55-42-770  
info.eu@hikvision.com

**Hikvision France**  
T +33(0)1-85-330-450  
info.fr@hikvision.com

**Hikvision Oceania**  
T +61-2-8599-4233  
salesau@hikvision.com

**Hikvision Hong Kong**  
T +852-2151-1761

**Hikvision Middle East**  
T +971-4-8816086  
salesme@hikvision.com

**Hikvision Spain**  
T +34-91-737-16-55  
info.es@hikvision.com

**Hikvision Canada**  
T +1-909-895-0400  
sales.usa@hikvision.com

**Hikvision Russia**  
T +7-495-669-67-99  
saleru@hikvision.com

**Hikvision Poland**  
T +48-22-460-01-50  
poland@hikvision.com

**Hikvision Korea**  
T +82-31-731-8841  
sales.korea@hikvision.com

**Hikvision India**  
T +91-22-28469900  
sales@pramahikvision.com

**Hikvision UK**  
T +01628-902140  
support.uk@hikvision.com

**Hikvision Brazil**  
T +55 11 3318-0050  
Latam.support@hikvision.com

05058020200423