

DS-2DE2C400MW-DE(S7)

4 MP Powered-by-DarkFighter Network Speed Dome



- High quality imaging with 4 MP resolution
- Clear imaging against strong back light due to DWDR technology
- 3D DNR technology delivers clean and sharp images
- Hik-Connect cloud service and APP for remote management and views of devices
- Built-in microphone for real-time audio security
- Built-in memory card slot, support microSD/SDHC/SDXC card, up to 256 GB
- Water and dust resistant IP66



▪ Specification

Camera	
Image Sensor	1/3" Progressive Scan CMOS
Max. Resolution	2560 × 1440
Min. Illumination	Color: 0.005 Lux @(F1.2, AGC ON), B/W: 0 Lux with IR
Lens	
Focal Length	2.8 mm/ 4 mm
FOV	2.8 mm, horizontal FOV 97°, vertical FOV 52.3°, diagonal FOV 114.3° 4 mm, horizontal FOV 79°, vertical FOV 42.4°, diagonal FOV 93.3°
Aperture	F1.6
Illuminator	
Supplement Light Type	IR & White Light
Supplement Light Range	White Light Distance: up to 30 m IR Distance: up to 30 m
Smart Supplement Light	Yes
IR Wavelength	850 nm
PTZ	
Movement Range (Pan)	0° to 340°
Movement Range (Tilt)	-5° to 105°
Pan Speed	Pan speed: configurable from 4° to 21°/s
Tilt Speed	Tilt speed: configurable from 4° to 19°/s
Video	
Video Compression	H.265, H.264, MJPEG
H.264 Type	Baseline Profile, Main Profile, High Profile
H.265 Type	Main Profile
Main Stream	50 Hz: 25 fps (2560 × 1440, 1920 × 1080, 1280 × 720)
Sub-Stream	50 Hz: 25 fps (1280 × 720, 640 × 480, 640 × 360)
Video Bit Rate	32 Kbps to 8 Mbps
Audio	
Audio Compression	G.711alaw/G.711ulaw/G.722.1/G.726/MP2L2/AAC/PCM
Audio Bit Rate	64Kbps(G.711ulaw/G.711alaw)/16Kbps(G.722.1)/16Kbps(G.726)/32-160Kbps(MP2L2)/16-64Kbps(AAC)
Audio Sampling Rate	8 kHz/16 kHz
Environment Noise Filtering	Yes
Network	
Protocols	IPv4/IPv6, HTTP, HTTPS, Qos, DNS, DDNS, NTP, RTSP, RTP, TCP/IP, UDP, DHCP, Bonjour
API	Open Network Video Interface, ISAPI, SDK
Image	
Image Settings	Saturation, brightness, contrast, sharpness
Wide Dynamic Range (WDR)	Digital WDR
Image Enhancement	BLC, HLC, 3D DNR
Interface	
Ethernet Interface	1 RJ45 10 M/100 M self-adaptive Ethernet port
On-board Storage	Built-in memory card slot, support microSD/SDHC/SDXC card, up to 256 GB
Built-in Microphone	Yes

Built-in Speaker	Yes
Reset	Yes
Event	
Basic Event	Motion detection
Alarm Linkage	Upload to FTP, notify surveillance center, send email, upload to memory card
General	
Operating Condition	With supplement light on: -30 °C to 40 °C. Humidity 95% or less (non-condensing) With supplement light off: -30 °C to 50 °C. Humidity 95% or less (non-condensing)
General Function	Mirror, password protection, watermark
Power	12 VDC ± 25%, 0.75 A, max. 9 W, Ø5.5 mm coaxial power plug, reverse polarity protection PoE: (802.3af, 36 V to 57 V), 0.2 A to 0.3 A, max. 10.8 W
Dimensions	Camera dimension: 162 mm × 120 mm × 234.2 mm (6.4" × 4.7" × 9.2") Package dimension: 205 mm × 167 mm × 289 mm (8.1" × 6.6" × 11.4")
Weight	Camera weight: 700 g (1.5 lb.) With package weight: 1250 g (2.8 lb.)
Approval	
EMC	FCC (47 CFR Part 15, Subpart B); CE-EMC (EN 55032: 2015, EN 61000-3-2: 2014, EN 61000-3-3: 2013, EN 50130-4: 2011 +A1: 2014); IC (ICES-003: Issue 6, 2016)
Protection	IP66 (IEC 60529-2013)

▪ Available Model

DS-2DE2C400MW-DE (2.8/4 mm) (F0)

DS-2DE2C400MW-DE (2.8/4 mm) (F1)

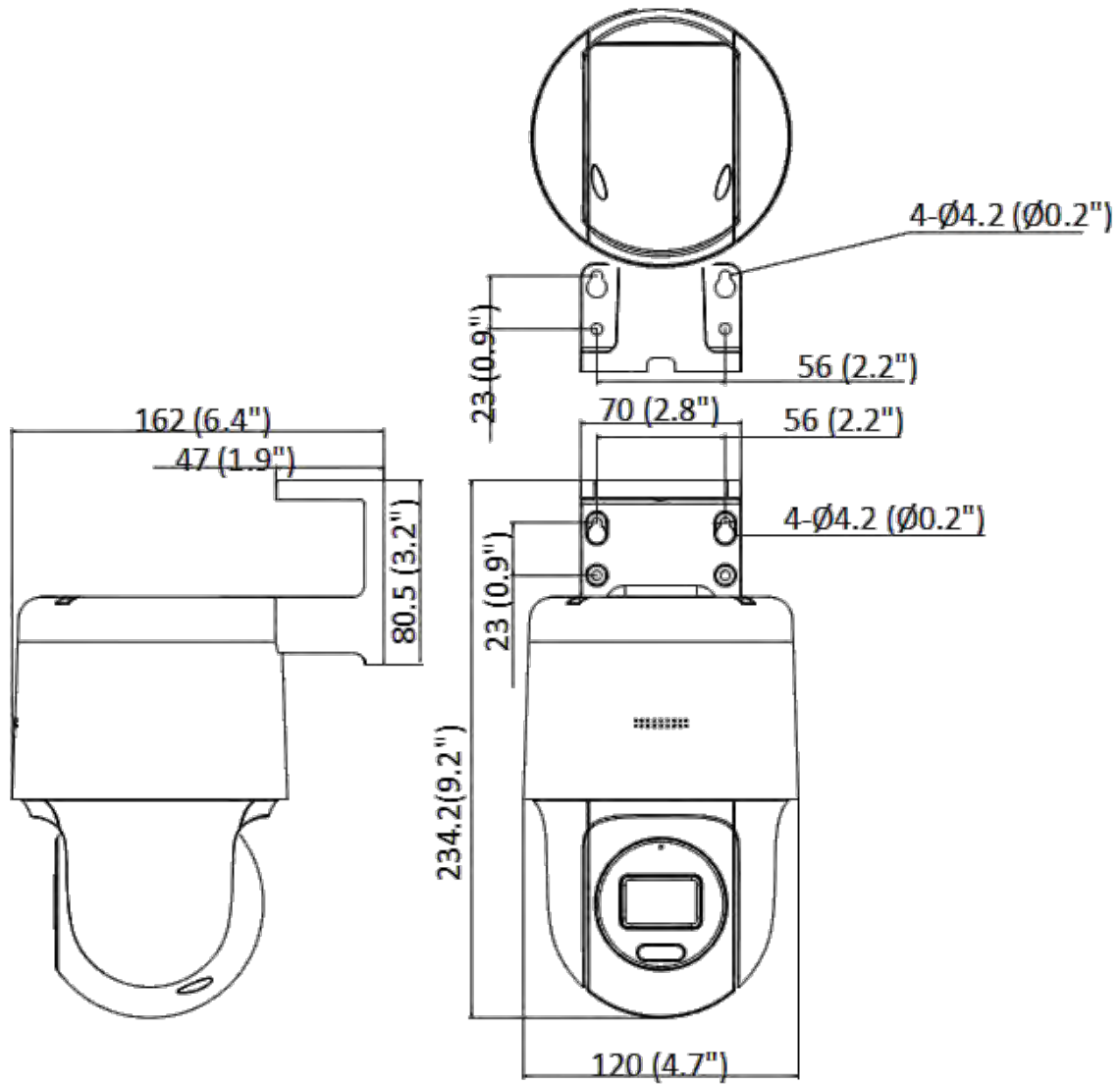
▪ Typical Application

Hikvision products are classified into three levels according to their anti-corrosion performance. Refer to the following description to choose for your using environment.

This model has NO SPECIFIC PROTECTION.

Level	Description
Top-level protection	Hikvision products at this level are equipped for use in areas where professional anti-corrosion protection is a must. Typical application scenarios include coastlines, docks, chemical plants, and more.
Moderate protection	Hikvision products at this level are equipped for use in areas with moderate anti-corrosion demands. Typical application scenarios include coastal areas about 2 kilometers (1.24 miles) away from coastlines, as well as areas affected by acid rain.
No specific protection	Hikvision products at this level are equipped for use in areas where no specific anti-corrosion protection is needed.

• Dimension



Unit: mm (inch)

Distributed by

**HIKVISION****Headquarters**

No.555 Qianmo Road, Binjiang District,
Hangzhou 310051, China
T +86-571-8807-5998
overseasbusiness@hikvision.com

Hikvision USA
T +1-909-895-0400
sales.usa@hikvision.com

Hikvision Australia
T +61-2-8599-4233
salesau@hikvision.com

Hikvision India
T +91-22-28469900
sales@pramahikvision.com

Hikvision Canada
T +1-866-200-6690
sales.canada@hikvision.com

Hikvision Thailand
T +662-275-9949
sales.thailand@hikvision.com

Hikvision Europe
T +31-23-5542770
sales.eu@hikvision.com

Hikvision Italy
T +39-0438-6902
info.it@hikvision.com

Hikvision Brazil
T +55 11 3318-0050
Latam.support@hikvision.com

Hikvision Turkey
T +90 (216)521 7070- 7074
sales.tr@hikvision.com

Hikvision Malaysia
T +601-7652-2413
sales.my@hikvision.com

Hikvision UK & Ireland
T +01628-902140
sales.uk@hikvision.com

Hikvision South Africa
Tel: +27 (10) 0351172
sale.africa@hikvision.com

Hikvision France
T +33(0)1-85-330-450
info.fr@hikvision.com

Hikvision Kazakhstan
T +7-727-9730667
nikia.panfilov@hikvision.ru

Hikvision Vietnam
T +84-974270888
sales.vt@hikvision.com

Hikvision UAE
T +971-4-4432090
salesme@hikvision.com

Hikvision Singapore
T +65-6684-4718
sg@hikvision.com

Hikvision Spain
T +34-91-737-16-55
info.es@hikvision.com

Hikvision Tashkent
T +99-87-1238-9438
uzb@hikvision.ru

Hikvision Hong Kong
T +852-2151-1761
info.hk@hikvision.com

Hikvision Russia
T +7-495-669-67-99
saleru@hikvision.com

Hikvision Korea
T +82-(0)31-731-8817
sales.korea@hikvision.com

Hikvision Poland
T +48-22-460-01-50
info.pl@hikvision.com

Hikvision Indonesia
T +62-21-2933759
Sales.Indonesia@hikvision.com

Hikvision Colombia
sales.colombia@hikvision.com