

## DS-KHH6020 Bedhead Terminal



DS-KHH6020 series is a screen-free alarm intercom terminal with simple design and multiple physical keys.

- The bedhead terminal can directly call the management center for two-way intercom.
- Multi-button interaction: realize different call types (call, dressing change, cancellation).
- Support handle call and dressing change reminder.
- Support access to the bathroom (wired) emergency alarm button for alarm, long press to eliminate the alarm.
- With 4 alarm areas, and output 1 DC12V for power supply.
- Power supply: DC12V.

## ▪ Specification

System parameters	
Operation system	Linux
ROM	8 GB
Audio parameters	
Audio input	Built-in omnidirectional microphone, external speaker
Audio compression standard	G.711U
Audio output	Built-in SPK
Audio compression bitrate	64 Kbps
Audio quality	Noise suppression and echo cancellation
Network parameters	
Network protocol	TCP/IP, SIP, RTSP
Device interfaces	
Alarm input	4
Network interface	1*RJ45
RS-485	1
TF card	Not Support TF card
Power in	12 VDC
Power out	12 VDC
General	
Installation	Wall mounting
Working temperature	-10°C ~ 50°C
Working humidity	10% to 95% (no-condensing)
Dimension (W × H)	86mm x 86mm
Battery	/
Power supply	12 VDC
Application environment	Indoor
Power consumption	≤ 4 W

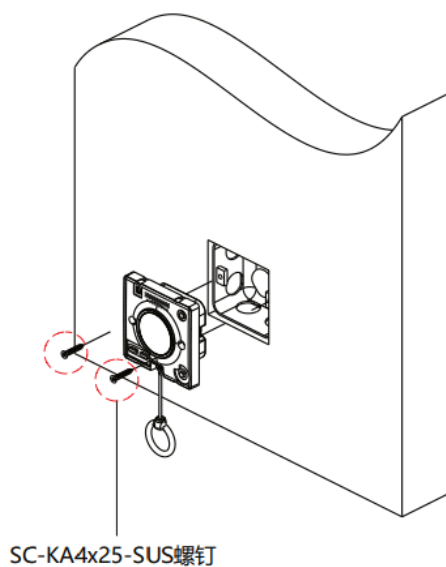
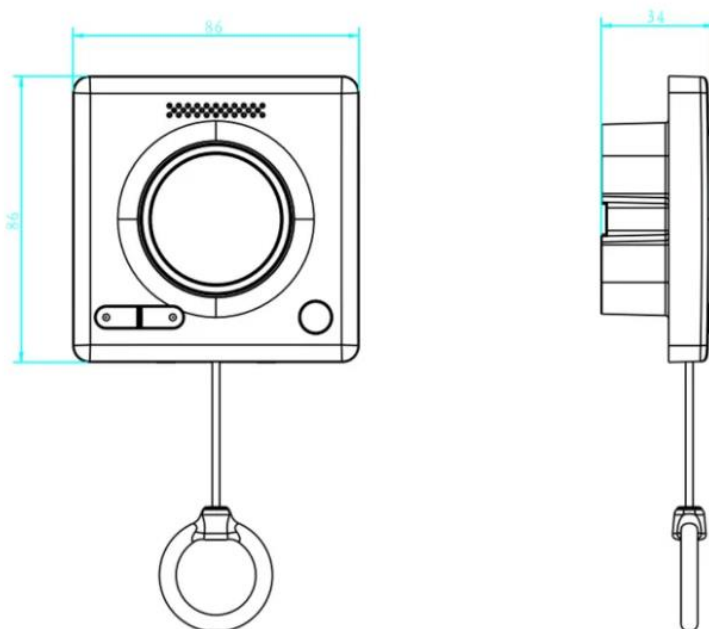
### Headquarters

No.555 Qianmo Road, Binjiang District,  
Hangzhou 310051, China  
T +86-571-8807-5998  
www.hikvision.com



Follow us on social media to get the latest product and solution information.



**Dimension****Headquarters**

No.555 Qianmo Road, Binjiang District,  
Hangzhou 310051, China  
T +86-571-8807-5998  
www.hikvision.com



Follow us on social media to get the latest product and solution information.



Hikvision



HikvisionHQ



HikvisionHQ



Hikvision\_Global



Hikvision  
Corporate Channel



hikvisionhq