

CPD 15/18- A5LIH2

1.5/1.8 t

New H2 series
Lithium battery balanced forklift

 **KLASS[®]**

1.5/1.8 t



New H2 series
Lithium battery balanced forklift



CPD 15/18- A5LIH2



Powerful acceleration, excellent climbing performance, and easier and more efficient hill passage



The hood opening angle is as high as 84°, making maintenance convenient



Standard semi-enclosed seats, driving safe and comfortable



The dashboard is fully covered, making the overall appearance of the vehicle more aesthetically pleasing



Standard PC endurance board canopy



Standard tea cup holder, USB power supply

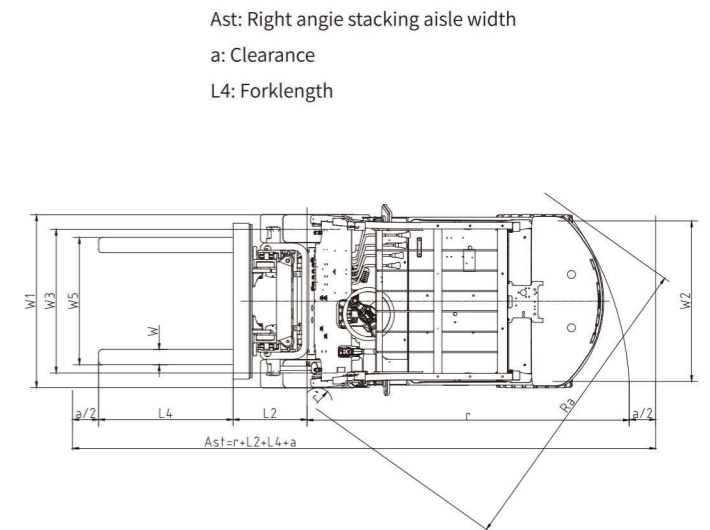
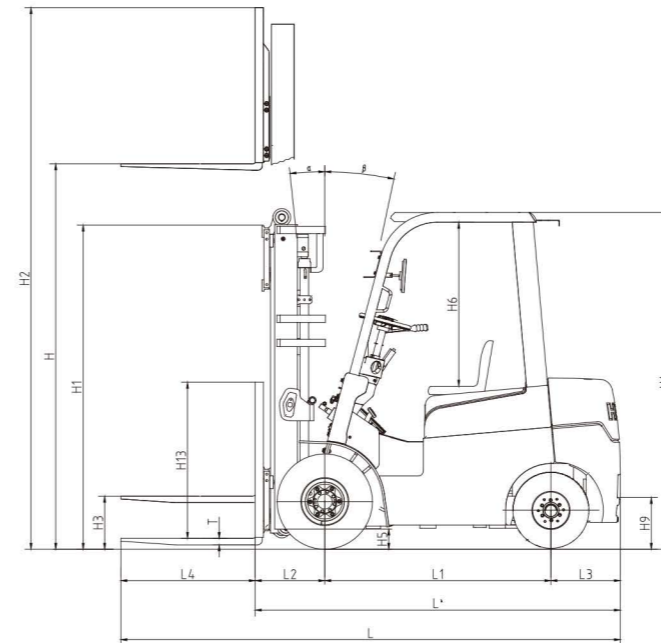
1.5/1.8 t

New H2 series Lithium battery balanced forklift

CPD 15/18- A5LIH2

MANUFACTURER AND TECHNICAL DATA

Characteristic				CPD15	CPD18
1.01	Model			CPD15	CPD18
1.02	Configuration number			A5LIH2	
1.03	Rated lifting capacity	Q	kg	1500	1800
1.04	Load center	c	mm	500	
1.05	Power mode			Lithium battery	
1.06	Driving style			Ride style	
Size					
2.01	Maximum lifting height	H	mm	3000	
2.02	Full height of the gantry (fork landing, gantry vertical)	H1	mm	1995	1995
2.03	Full height of the mast (forks landing, mast vertical)	H2	mm	4050	4050
2.04	Free lift height	H3	mm	155	155
2.05	Full height (roof support)	H4	mm	2070	
2.06	Minimum ground clearance (at the mast/at the frame)	H5	mm	102/120	
2.07	Distance from seat surface to roof frame	H6	mm	1000	
2.08	Height of traction pin	H9	mm	210	
2.09	Shelf height (calculated from the fork surface of the mast)	H13	mm	1015	1015
2.10	Full length (with fork)	L	mm	3174	3174
2.11	Full length (without fork)	L'	mm	2254	2254
2.12	Wheelbase	L1	mm	1400	
2.13	Front overhang	L2	mm	424	424
2.14	Rear overhang	L3	mm	430	430
2.15	Full width	W1	mm	1070	
2.16	Front track width	W3	mm	890	
2.17	Rear track width	W2	mm	920	
2.18	Fork adjustment range (outer) maximum/minimum	W5	mm	950/200	
2.19	Minimum turning radius (outside)	r	mm	1980	1980
2.20	Minimum turning radius (inside)	r'	mm	110	
2.21	Minimum right angle channel width	Ra	mm	2085	
2.22	Right angle stacking aisle width for pallet 1000 x1200mm	Ast	mm	3605	
2.23	Right angle stacking aisle width for pallet 1200 x 800mm	Ast	mm	3805	
2.24	Mast inclination, front/rear	α/β	°	6°/12°	
2.25	Fork size, thickness/width/length	T×W×L4	mm	35×100×920	35×100×920
Performance					
3.01	Maximum driving speed, fully loaded/unloaded		km/h	17/18	
3.02	Lifting speed, fully loaded/unloaded		mm/s	460/600	
3.03	Descending speed, fully loaded/unloaded		mm/s	350/440	
3.04	Maximum traction force, fully loaded/unloaded		KN	10	
3.05	Gradeability, fully loaded/unloaded		%	18/26	
Weight					
4.01	Total weight (unloaded/fully loaded)		kg	2790/4290	3000/4800
4.02	Bridge load, unloaded, front/rear		kg	1120/1670	1200/1800
4.03	Bridge load, fully loaded, front/rear		kg	3754/536	4200/600
Wheels and tires					
5.01	Tire type			Pneumatic tire	
2.02	Number of wheels(front/rear)			2/2	
2.03	Tire,front			6.5-10-10PR	
2.04	Tire,rear			5.00-8-10PR	
Battery					
6.01	Battery voltage/capacity	V/Ah		80/202 (Optional 150, 173, 230, 280, 330, 346)	
6.02	Battery weight	kg		185	
Motors and controllers					
7.01	Drive motor power(S2-60min)	kW		8	
7.02	Lifting motor power(S3-15min)	kW		16	
7.03	Control mode of drive motor			MOSFET/AC	
7.04	Control mode of lifting motor			MOSFET/AC	
7.05	Controller model			350A+300A Jiacheng electric control	
Other					
8.01	Service brake/Parking brake			Hydraulic / Machinery	
8.02	Hydraulic system working pressure	Mpa		14.5	17.5



Lithium battery and charger configuration

Vehicle	Battery configuration	Battery voltage (V)	Battery capacity(Ah)	Charger moder
CPD15-A5LIH2 CPD18-A5LIH2	Standard	80	202	D80V100ALi-438
			150	
	Optional		173	
			230	
			280	
			330	
			346	

- *Note:1, When the lithium battery capacity is selected as 150Ah or 173Ah, the lifting speed of the vehicle with full load is to 370mm/s.
 2, Please consult sales or technical support for battery capacity selection.
 3, The HELI dedicated charger has a scheduled charging function ,which can achieve peak and valley charging and save more electricity costs.

CPD 15/18- A5LIH2

1.5-1.8t WIDE VIEW MAST

Mast model	Max.fork height (mm)	Capacity at 500mm (Load center)(kg)		Free lifting height (mm)		Mast overall height (fork to the ground) (mm)	Mast tilting angle (°)α/β	Service Weight (kg)	
		1.5t	1.8t	Without backrest	With backrest			1.5t	1.8t
M200	2000	1500	1750	155	155	1495	6-12	2730	2940
M250	2500	1500	1750	155	155	1745	6-12	2760	2970
M300	3000	1500	1750	155	155	1995	6-12	2790	3000
M330	3300	1500	1750	155	155	2145	6-12	2810	3020
M350	3500	1500	1750	155	155	2245	6-12	2825	3035
M370	3700	1500	1750	155	155	2345	6-6 *6-12	2845	3055
M400	4000	1500	*1700 *1750	155	155	2545	6-6 *6-12	2895	3105
M425	4250	*1400 *1500	*1600 *1750	155	155	2670	6-6 *6-12	2910	3120
M450	4500	*1300 *1400	*1550 *1700	155	155	2795	6-6 *6-12	2930	3140
M500	5000	*1000 *1350	*1100 *1600	155	155	3045	6-6 *6-6	2960	3170
M550	5500	*1150	*1500	155	155	3345	*3-6	3030	3240
M600	6000	*1050	*1400	155	155	3595	*3-6	3060	3270

1.5-1.8t WIDE VIEW FULL FREE 2-STAGE MAST

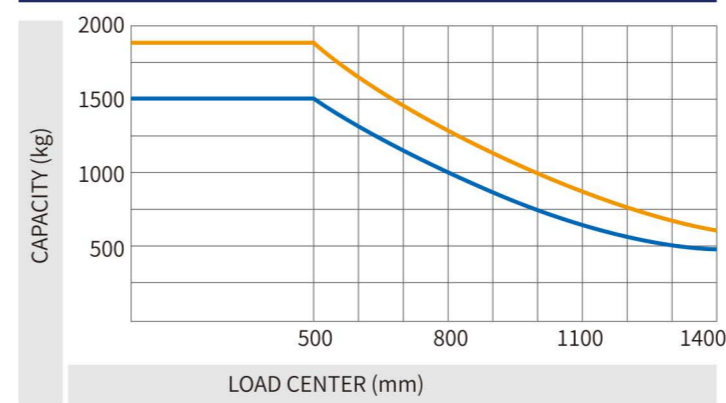
Mast model	Max.fork height (mm)	Capacity at 500mm (Load center)(kg)		Free lifting height (mm)		Mast overall height (fork to the ground) (mm)	Mast tilting angle (°)α/β	Service Weight (kg)	
		1.5t	1.8t	Without backrest	With backrest			1.5t	1.8t
ZM200	2000	1500	1750	895	475	1495	6-12	2760	2970
ZM250	2500	1500	1750	1115	695	1745	6-12	2790	3000
ZM300	3000	1500	1750	1360	940	1995	6-12	2820	3030
ZM330	3300	1500	1750	1510	1090	2145	6-12	2840	3050
ZM350	3500	1500	1750	1610	1190	2245	6-12	2855	3065
ZM375	3750	1500	1750	1755	1335	2370	6-6 *6-12	2875	3085
ZM400	4000	1500	*1700 *1750	1910	1490	2545	6-6 *6-12	2925	3135
ZM425	4250	*1400 *1500	*1600 *1750	2035	1615	2670	6-6 *6-12	2940	3150
ZM450	4500	*1300 *1400	*1550 *1700	2160	1740	2795	6-6 *6-12	2960	3170
ZM500	5000	*1000 *1350	*1100 *1600	2410	1990	3045	6-6 *6-6	2990	3200
ZM550	5500	*1150	*1500	2710	2290	3345	*3-6	3060	3270
ZM600	6000	*1050	*1400	2960	2540	3595	*3-6	3090	3300

1.5-1.8t WIDE VIEW FULL FREE 3-STAGE MAST

Mast model	Max.fork height (mm)	Capacity at 500mm (Load center)(kg)		Free lifting height (mm)		Mast overall height (fork to the ground) (mm)	Mast tilting angle (°)α/β	Service Weight (kg)	
		1.5t	1.8t	Without backrest	With backrest			1.5t	1.8t
ZSM360	3600	1450	1750	1160	740	1790	6-12	2835	3060
ZSM400	4000	1400	1600	1290	870	1915	6-12	2855	3080
ZSM435	4350	*1350 *1400	*1550 *1700	1410	990	2040	6-12	2875	3100
ZSM450	4500	*1300 *1350	*1500 *1650	1460	1040	2090	6-12	2880	3105
ZSM470	4700	*1300 *1350	*1450 *1600	1530	1110	2160	6-12	2890	3115
ZSM480	4800	*1100 *1350	*1400 *1580	1560	1140	2190	6-6 *6-12	2895	3120
ZSM500	5000	*1100 *1300	*1150 *1550	1660	1240	2290	6-6 *6-12	2910	3135
ZSM540	5400	*850 *1250	*850 *1500	1790	1370	2415	6-6 *6-12	2930	3155
ZSM600	6000	*550 *1100	*550 *1400	2020	1600	2650	6-6 *6-12	2990	3215
ZSM650	6500	*1000	*1250	2210	1790	2830	6-6 *6-6	3020	3245
ZSM700	7000	—	*860	2405	1985	3025	*3-6	3050	3275

NOTE:(1)*stands for the rated capacity when the front tyre is double-tyre.

Load curve



CPD18

CPD15

Note:The vertical axis stands for load capacity and the horizontal axis stands for load center which is calculated from the front of the fork. The base point of the standard load refers to the center position of the cube with 1000mm length of side. When mast is tilted forward, nonstandard fork usage or load with over wide goods, load capacity will be reduced. Different load capacity in different load center can be known in time through load chart.

Example of oeder code

