

ESL122

1200kg Pedestrian Stacker



- Compact duplex mast stacker for light duty application with the advantages of Li-Ion batteries
- Rigid frame and lateral drive for high stability
- Simple design, made with industry-proven components
- Turtle button to operate in narrow spaces
- Fast charging trough integrated charger



Manufacturer			EP
Model designation			ESL122
Drive			Electric
Load capacity	Q	kg	1200
Service weight		kg	560
Retracted mast height	h1	mm	2067
Lift height	h3	mm	2930
Length to face of forks	l2	mm	565
Overall width	b1/b2	mm	792
Fork dimensions	s×e×l	mm	60/170/1150
Turning radius	Wa	mm	1464
Max. gradeability, laden/unladen		%	3/10
Travel speed, laden/unladen		km/h	4.2/4.5
Lifting speed, laden/unladen		m/s	0.09/0.13
Lowering speed, laden/unladen		m/s	0.10/0.085
Battery voltage/nominal capacity		V/Ah	24/100

FEATURES

Strong chassis

The side impact beam, plates, and boxes make the chassis stronger and can greatly reduce stress and deformation caused by heavy load.



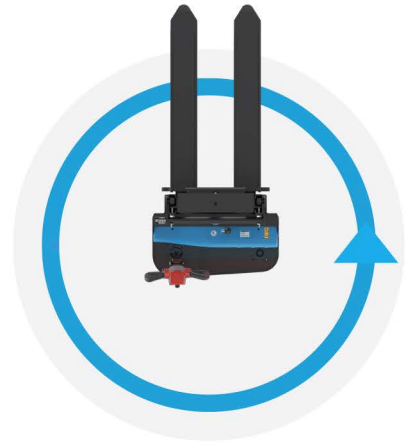
Rigid mast

The rigidity of the mast is greatly improved by its beam structure to provide smooth lifting and stacking for daily operation.



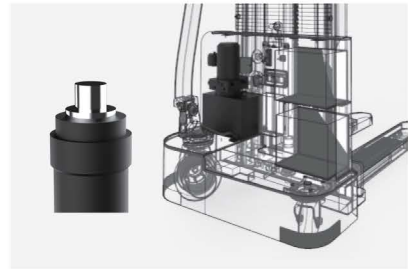
Easy operation

The extra-long and offset tiller with the crawl speed button provides ESL122 a better visibility and nimble maneuverability when operating in tight space.



Efficient hydraulic system

High quality hydraulic pump ensures very little noise, maximum efficiency, durability and shortens lifting time.

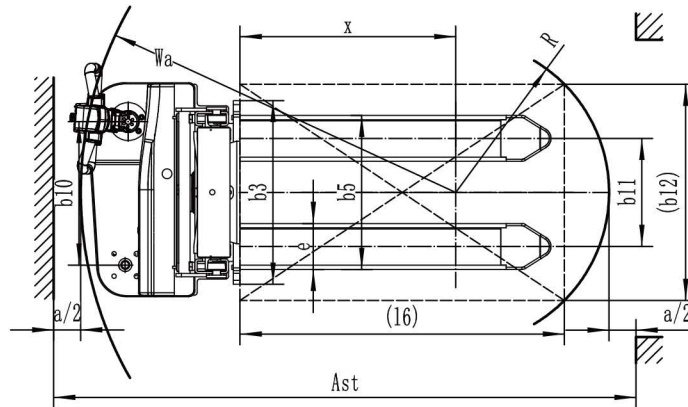
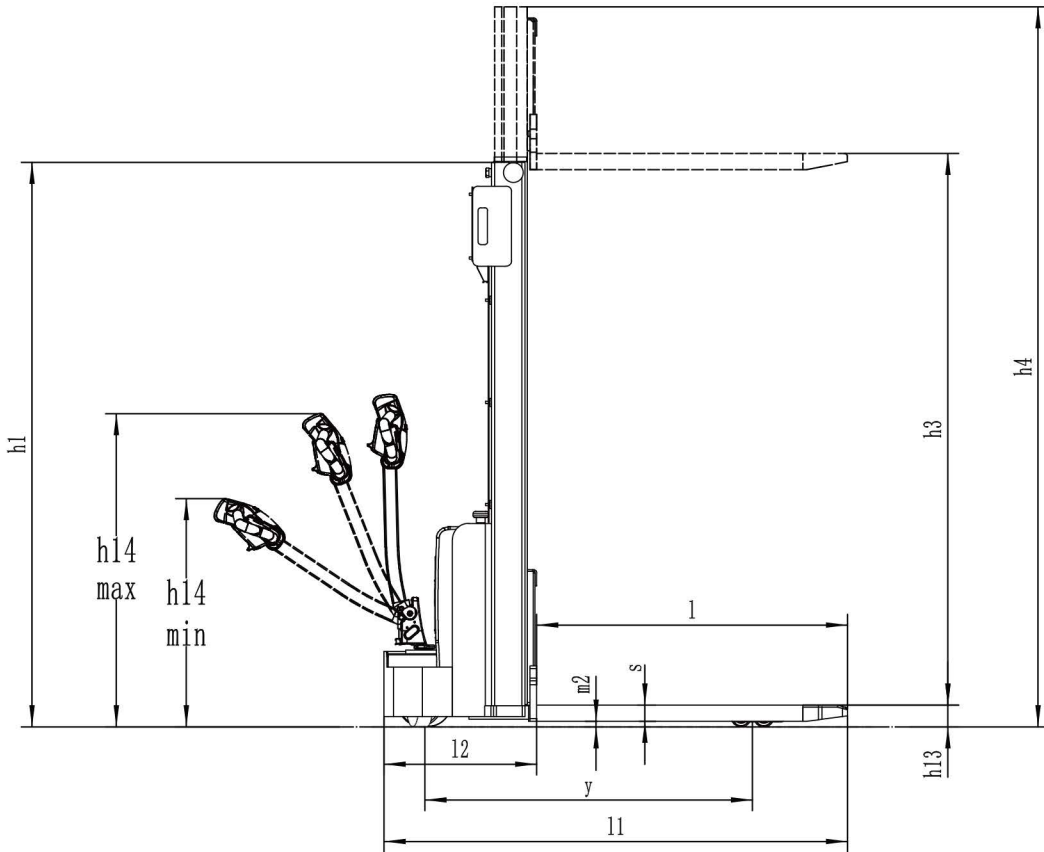


Electric Stacker 1.2T

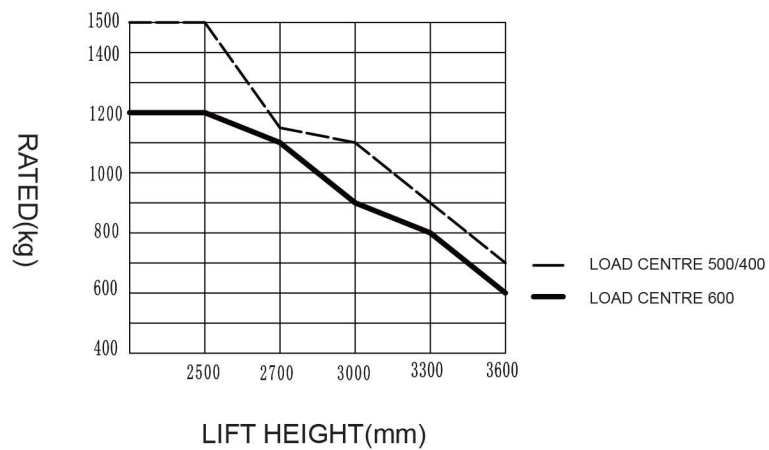
ESL122

Distinguishing mark	1.1	Manufacturer			EP	
	1.2	Model designation			ESL122	
	1.3	Drive			Electric	
	1.4	Operator type			Pedestrian	
	1.5	Load capacity	Q	kg	1200	
	1.6	Load center distance	c	mm	600	
	1.8	Load distance, centre of drive axle to fork	x	mm	798	
	1.9	Wheelbase	y	mm	1212	
	Service weight	2.1	Service weight		kg	560
2.2		Axle loading, laden front/rear		kg	610/1150	
2.3		Axle loading, unladen front/rear		kg	410/150	
Tyres/chassis	3.1	Tyre type			Polyurethane	
	3.2	Tyre size, front			Ø210×70	
	3.3	Tyre size, rear			Ø74×72	
	3.4	Additional wheels (castor wheels)		mm	Ø130×55	
	3.5	Wheels, number front/rear (x=drive wheels)		mm	1x, 1/4	
	3.6.1	Tread width, front	b ₁₀	mm	531	
	3.7.1	Tread width, rear	b ₁₁	mm	405	
Dimensions	4.0	Max. Lift Height	H	mm	-	
	4.2	Retracted mast height	h ₁	mm	2067	
	4.3	Free lift	h ₂	mm	-	
	4.4	Lift height	h ₃	mm	2930	
	4.5	Height, mast extended	h ₄	mm	3532	
	4.9	Height of tiller handle in drive position min./max.	h ₁₄	mm	760/1140	
	4.10	Height of wheel arms	h ₈	mm	-	
	4.15	Lowered height	h ₁₃	mm	90	
	4.19	Overall length	l ₁	mm	1715	
	4.20	Length to face of forks	l ₂	mm	565	
	4.21	Overall width	b ₁ /b ₂	mm	792	
	4.22	Fork dimensions	s×e×l	mm	60/170/1150	
	4.24	Fork carriage width	b ₃	mm	680	
	4.25	Fork spread	b ₅	mm	570	
	Performance data	5.1	Travel speed, laden/unladen		km/h	4.2/4.5
5.2		Lifting speed, laden/unladen		m/s	0.09/0.13	
5.3		Lowering speed, laden/unladen		m/s	0.10/0.085	
5.8		Max. gradeability, laden/unladen		%	3/10	
5.10		Service brake			Electromagnetic	
Electric-engine		6.1	Drive motor rating S2 60 min		kW	0.75
		6.2	Lift motor rating at S3 15%		kW	2.2
		6.4	Battery voltage/nominal capacity		V/Ah	24V/100Ah
		6.5	Battery weight		kg	28
		6.6	Energy consumption according to DIN EN 16796		kWh/h	0.62 ¹⁾
	6.7	Turnover output according to VDI 2198		t/h	31.2	
	6.8	Turnover efficiency according to VDI 2198		t/kWh	55.12	
	Datos adicionales	8.1	Type of drive control			DC
10.5		Steering design			Mechanical	
10.7		Sound pressure level at the driver's ear		dB(A)	74	
	15.1	Charger output current		A	30	

If there are improvements of technical parameters or configurations, no further notice will be given.
The diagram shown may contain non-standard configurations.



RATDE CAPACITIES GRAPH



Mast Option:

Mast types	Lift height h3+h13 (mm)	Height, mast lowered h1(mm)	Free lift h2(mm)	Height, mast extended h4(mm)
2-Standard Mast	2513	1817	—	3032
	2713	1917	—	3232
	3013	2067	—	3532
	3313	2217	—	3832
	3613	2367	—	4132

Option:

Optional items	ESL122
Fork dimension	<ul style="list-style-type: none"> ● 570*1150 ○ 685*1150 ○ 570*1000 ○ 685*1000 ○ 570*1220 ○ 685*1220
Fork carriage width	● 680mm ○ 795mm
Load wheel type	● Dual wheels
Load wheel material	● PU
Drive wheel material	● PU
Battery display indicator (BDI) capacity	● 100Ah
Charger	● 24V-30A Internal
Battery indicator	● With hourmeter
Handle head type	● ET big handle head
Castor wheels	● Yes and not customized
Vertical handler working	● Yes and not customized
Note: ● Standard ○ Optional - Inconformity	