

Assembly Instructions – Flexible Friend

The product is made of high-quality solid beech wood, which guarantees a long service life and utility value.

WARNING: The product must not be subjected to direct long-term exposure to the action of water or high humidity, which can cause the wood to expand (warp). **NEVER LEAVE the product out in the rain!!!**

RECOMMENDATIONS: Before using the product for the first time, we **recommend treating all the wooden parts with suitable wood oil (flaxseed oil is best)**. The oil or lacquer protects the wood and prevents the absorption of ambient moisture. **Oil coating applications must be repeated at least twice per year.**

Tighten all screw joints at least once every 6 months.

A – 20 pcs



10x40 mm

B1 – 16 pcs



7x70 mm

B2 – 4 pcs



6x30 mm

B3 – 2 pcs



6x40 mm

C – 32 pcs



3x16 mm

D – 4 pcs



6x90 mm

E – 2 pcs



5x80 mm

F – 4 pcs



G – 4 pcs



1 pc

H – 4 pcs



4 pcs

I – 4 pcs



Allen key – 1pc

J – 1 pc

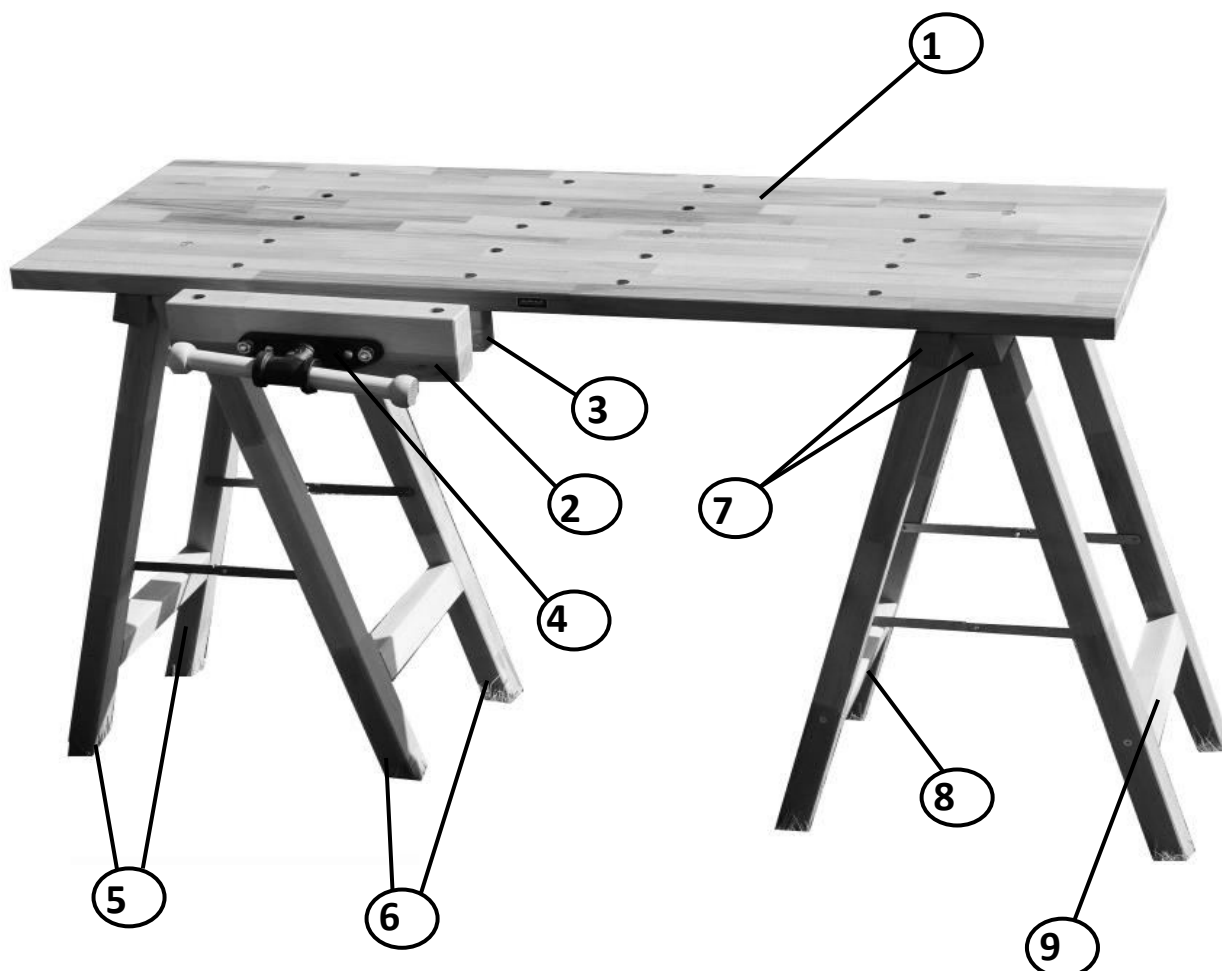


1 pc



Package	Package 1	Package 2	Date	

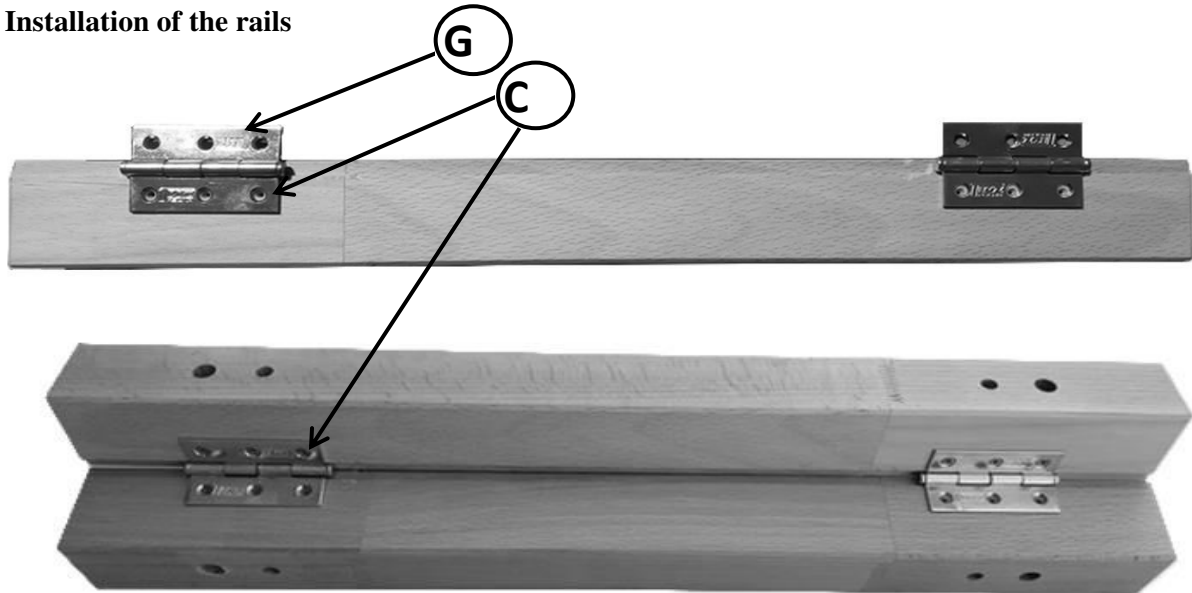
Manual and parts list



Parts list					
Number	Name	Quantity	Number	Name	Quantity
1	Table top	1 pc	6	Right leg	4 pcs
2	Wooden jaw	1 pc	7	Rail	4 pcs
3	Wooden jaw face	1 pc	8	Rung (without logo)	2 pcs
4	Spindle HV 515	1 pc	9	Rung (with logo)	2 pcs
5	Left leg	4 pcs			

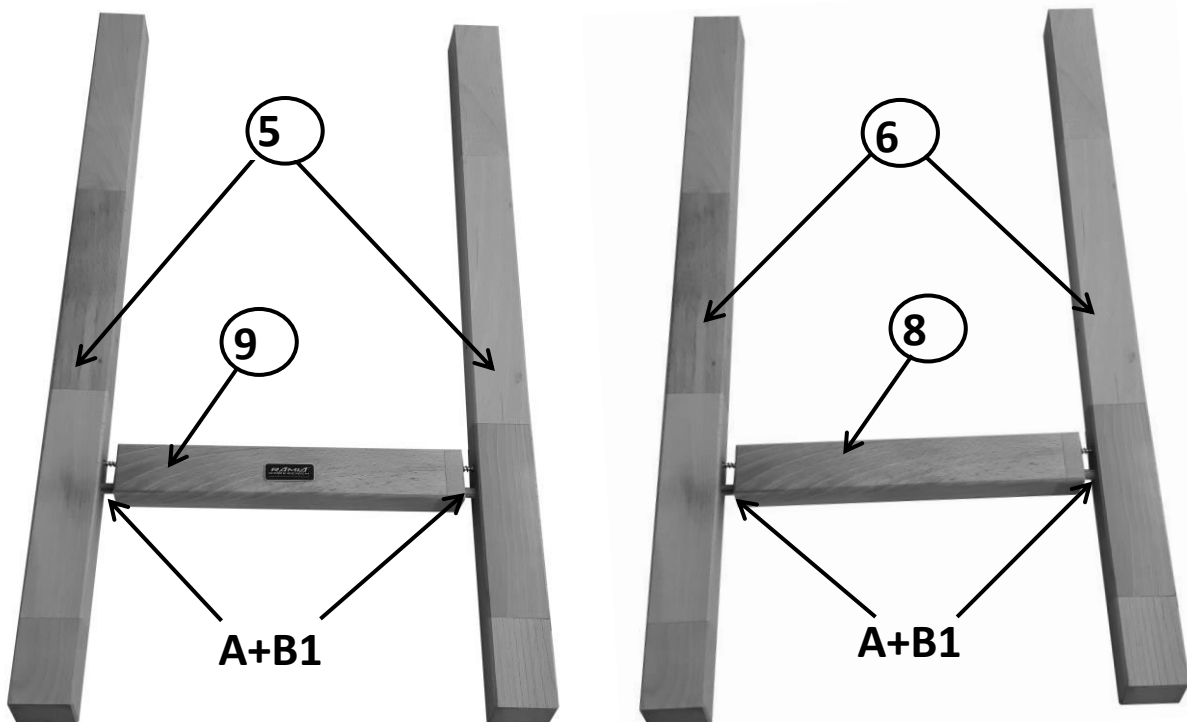
!!! WARNING – Wooden parts may have sharp edges!!!
Sand the parts with the enclosed sandpaper.

1. Installation of the rails



Join the rails (7) using hinges (G) and screws (C). **WARNING!!!** The package contains 2 types of rails. 2 pieces with dowel holes (locking plate) and 2 pieces without holes. Each saw horse must have one rail with a dowel hole. The cut-outs in the rails must point downwards. The dowel holes in the saw horses must face each other.

2. Installation of the legs



Join the left legs (5) with the rung with logo (9) using a dowel (A) and a flat-head furniture screw (B1)

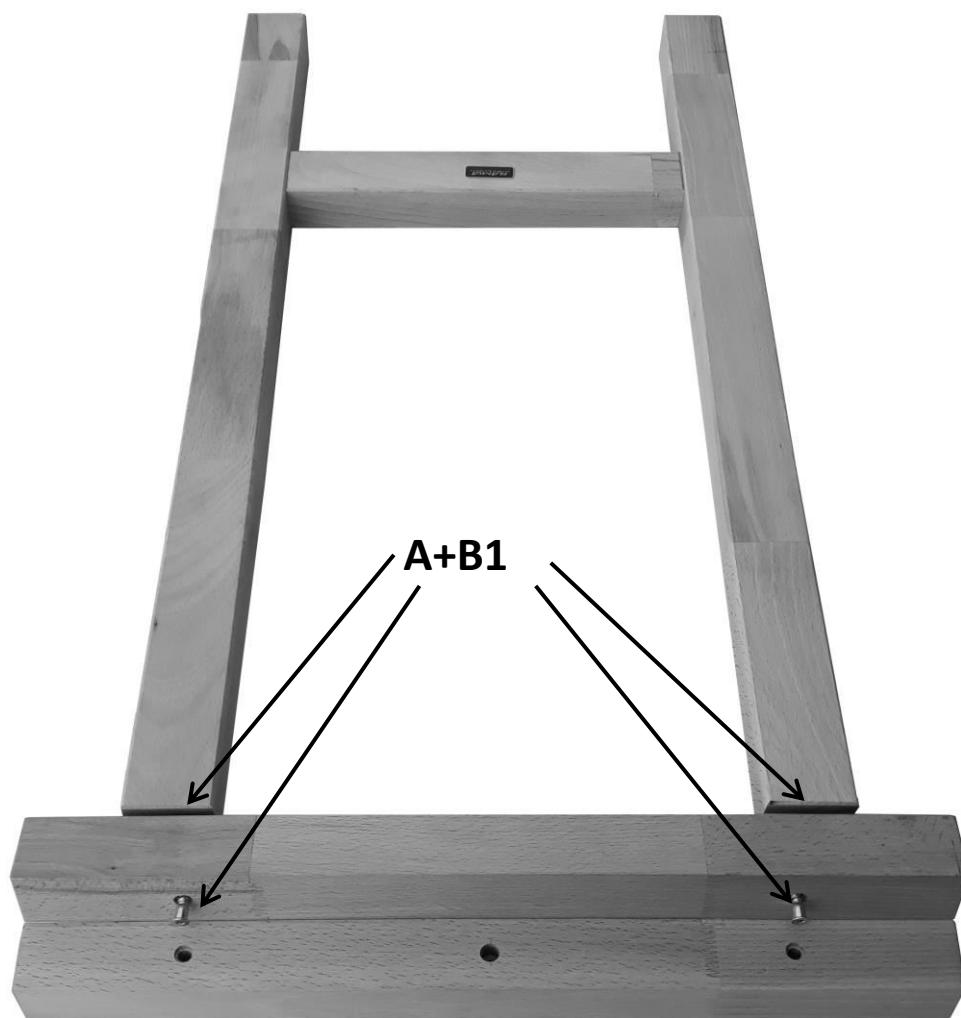
Join the right legs (6) with the rung without logo (8) using a dowel (A) and a flat-head furniture screw (B1)

Warning: the illustrated procedure applies to the left saw horse. **The rung with logo must be installed on the right leg of the saw horse on the right side.** Use a rung without logo on the left leg.

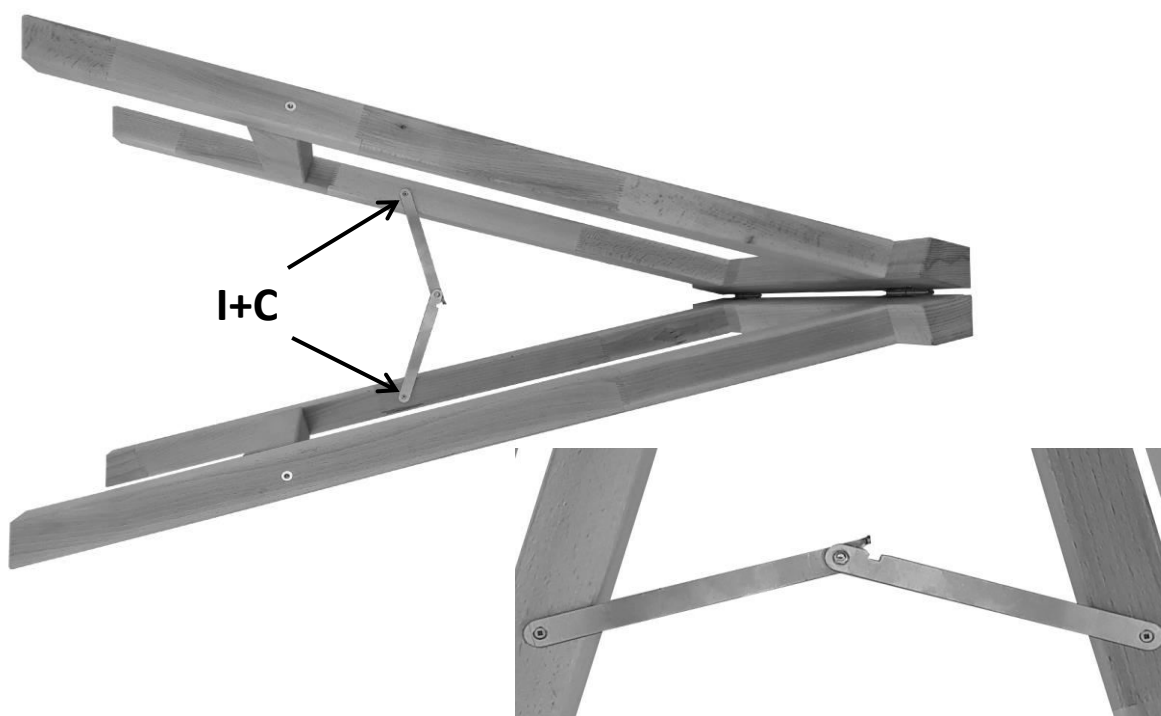
TIP: Lubricate the flat-head furniture screws with grease or soap.

Installing them will be significantly easier.

3. Joining the legs and rails



Install the joined right and left leg on the assembled rails using dowels (A) and flat-head furniture screws (B1). The right legs and rung with logo must be on the rail without the hole for the dowel, and the left leg with rung without logo must be on the rail with the hole for the dowel.

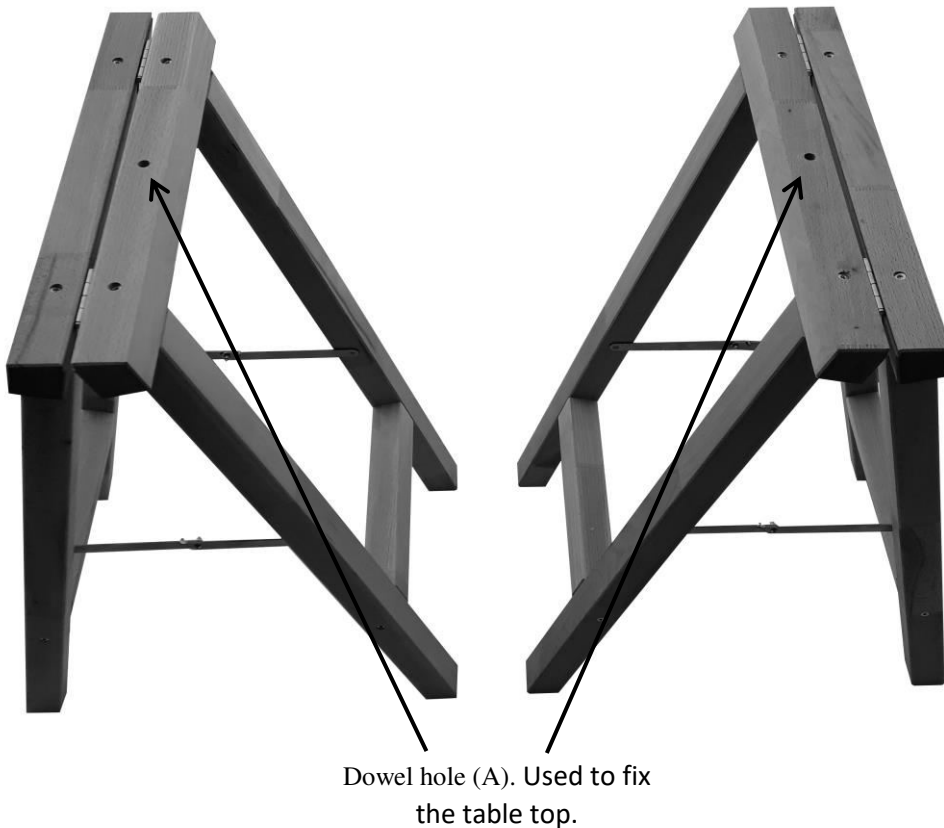


Fix the braces (I) to the legs with the 3x16 mm screws (C).

The stops on the

braces must point upwards and the nuts on the braces must point inwards.

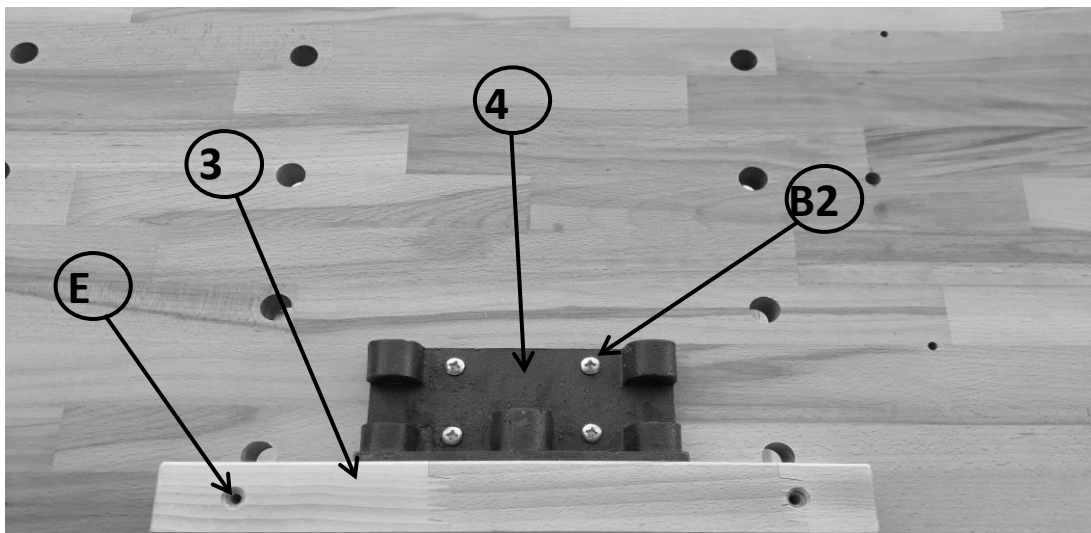
Appearance of correctly assembled saw horses.



4. Installation of the carpenter's vice

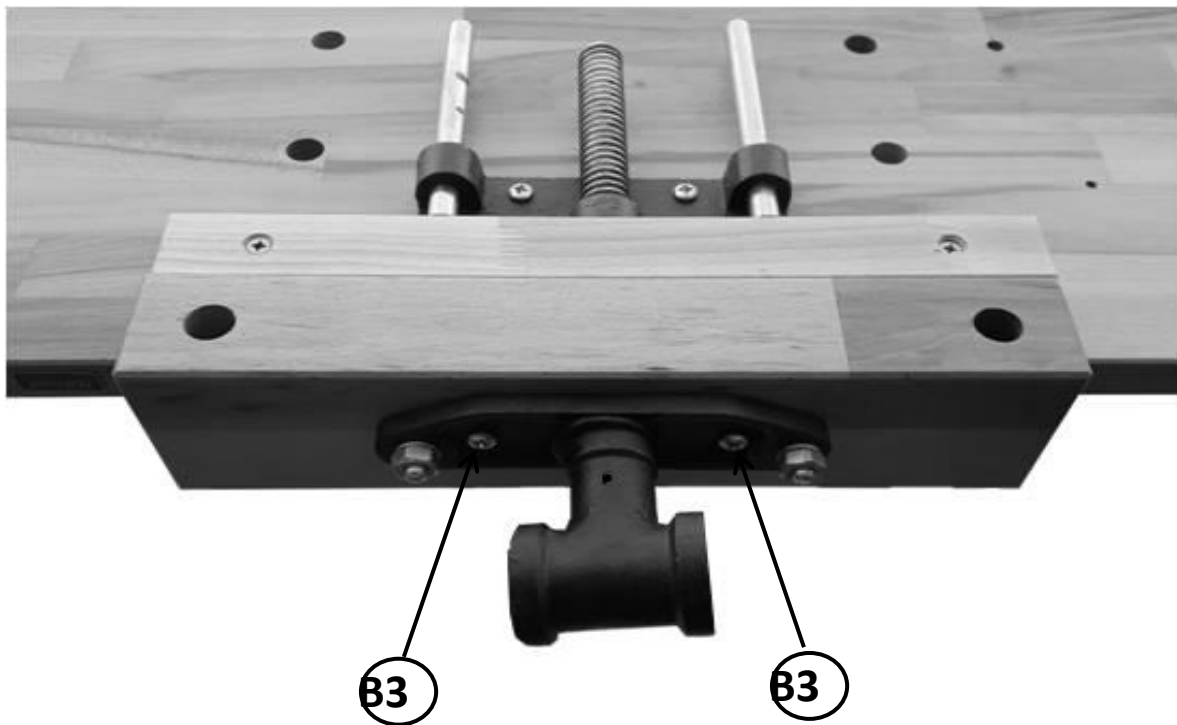
Turn the table top (1) upside down and place it on the assembled saw horses. **WARNING!!!** At this stage, do not insert the fixing dowels (A) into the holes in the rails.

Before installing the carpenter's vice, decide on its location (right/left). **WARNING!!!** The table top is now upside down.



Sand the edges of the wooden jaw face (3) with sandpaper. Fix the wooden jaw face (3) with 5x80 mm screws (E) in the pre-drilled holes. Unscrew the spindle (4) from the spindle body and use 6x30 mm screws (B2) to fix it to the wooden jaw face according to the pre-drilled holes.

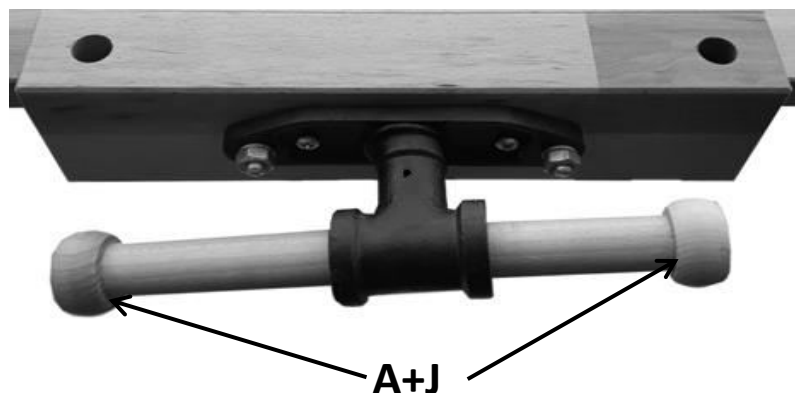
Fit the wooden jaw (2) on the spindle guide and rotate it onto the already installed spindle body.



Fully tighten the wooden jaw (2) with the spindle and ensure that it is horizontal with the table top. After this, fix the wooden jaw with 6x40 mm screws (B3) to the spindle guide.

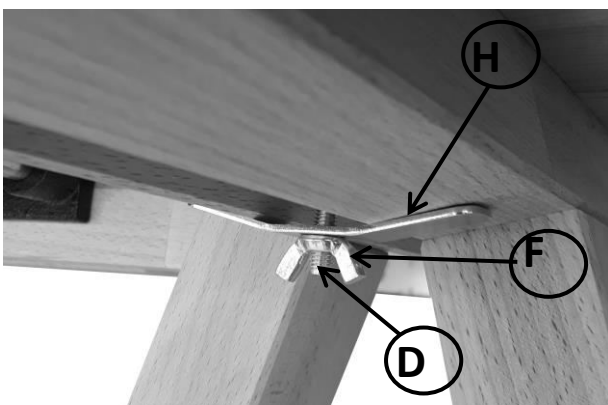
4. Installation of the handle in the spindle

On one end of the handle, fix the end with the dowel (A) and glue (J). Insert it into the spindle and glue the second end on the other end. Wipe excess glue off with a rag. Leave to dry for at least one hour before use.



5. Fixture of the table top

The table can be fixed against movement in two ways. Using dowels (A) on the rails of the saw horses and using 4 6x90 mm screws (D) with a shaped washer (H) and wing nut (F). Fixation with screws is particularly necessary if the table is to be used to process heavy material. This fixation prevents the board from



Fixing the table top with the dowels (A) prevents its movement on the saw horses and ensures it is correctly mounted on the saw horses.

The installation is now finished and the table is ready. WHATEVER, WHEREVER, WHENEVER.

