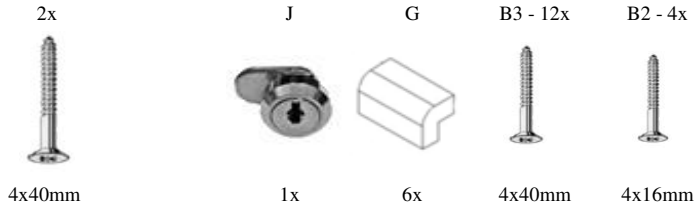


Assembly Instruction - Cupboard PRO-II



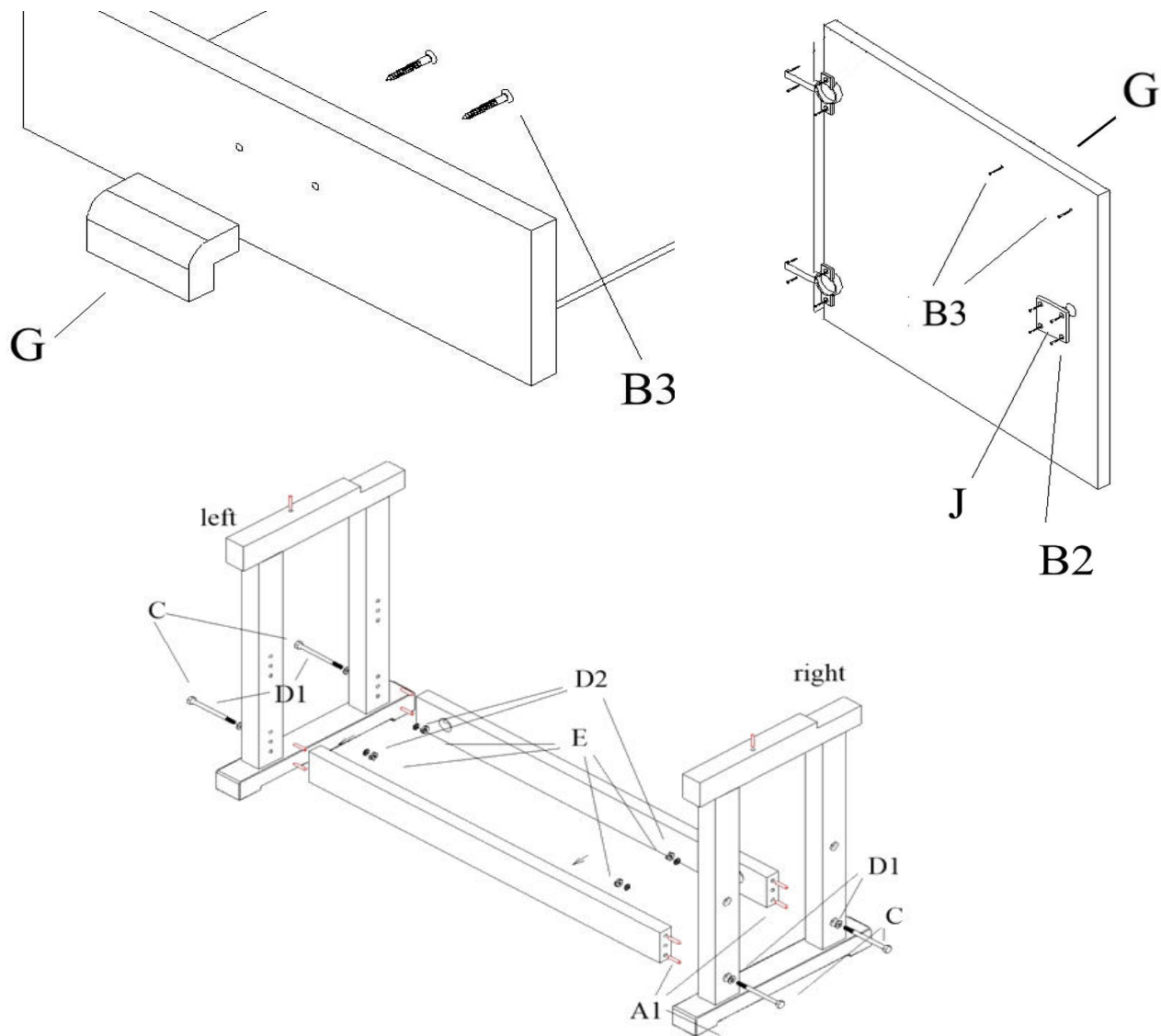
Attention:



Storage cupboard is made from high quality veneered chipboard guaranteeing maximum resistance and long service life.



Parts	Packing 1	Packing 2	Date	



Place (insert) the cupboard on the lower stretchers of bench frame and attach the cupboard by screws - 4x40mm screws.
Hint: don't glue dowels of the stretchers of bench frame. Dowel has only guide function.

