

FBU128 8 Ω

SPECIFICATIONS

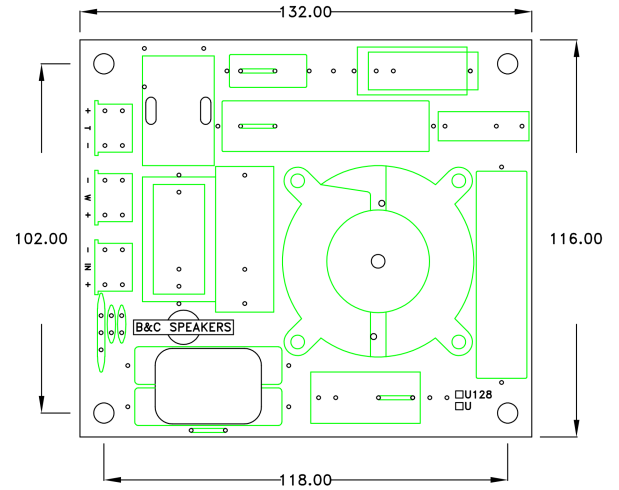
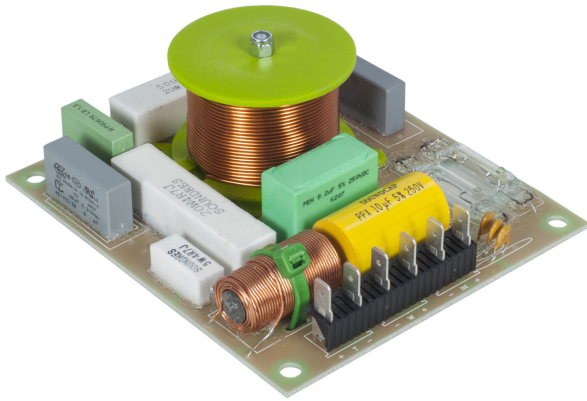
| | |
|---------------------|----------------------------------|
| Nominal Impedance | 8 Ω |
| Crossover Frequency | 1.38 kHz |
| Filter Type | Two Way |
| Slope | 12 - 12 dB/oct |
| Overall Dimensions | 132x116 mm (5.20x4.57 in) |

MOUNTING AND SHIPPING INFO

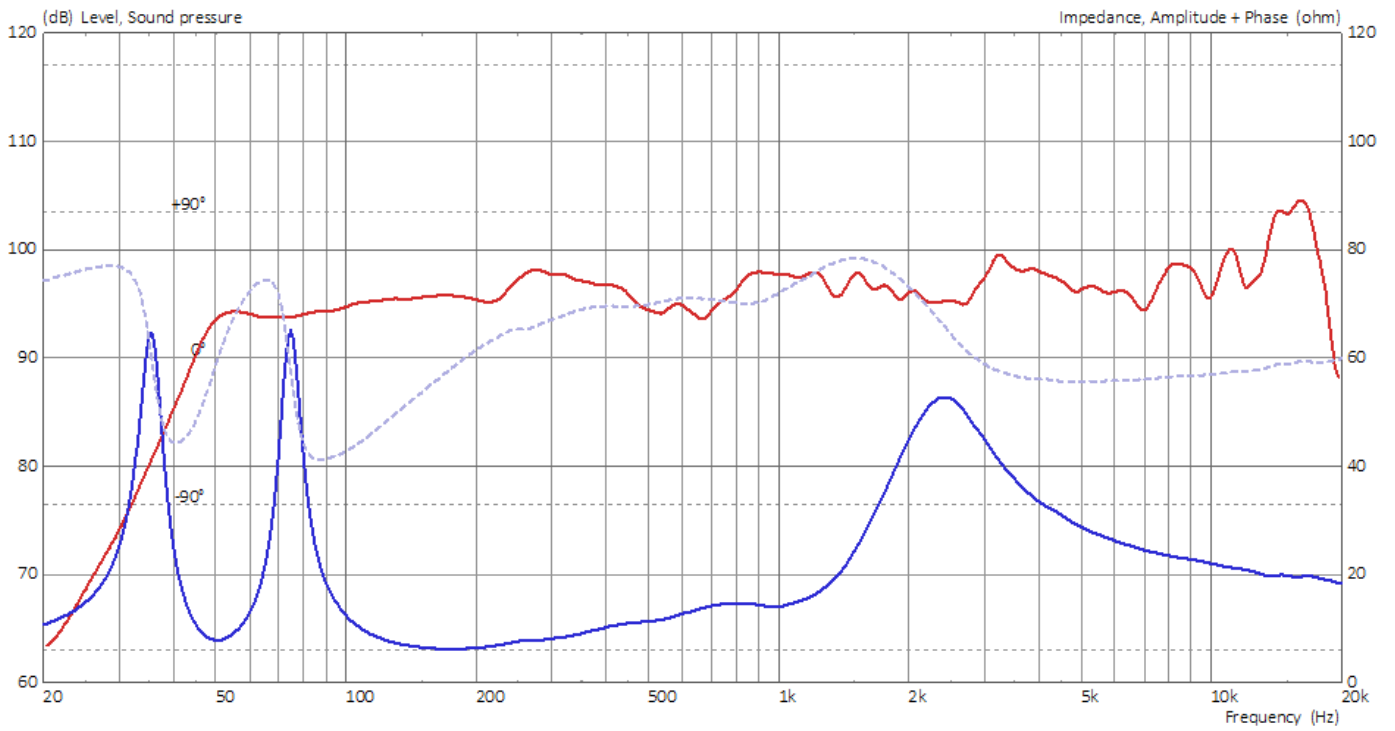
| | |
|-----------------|--|
| Net Weight | 0.55 kg (1.21 lb) |
| Shipping Units | 1 pcs |
| Shipping Weight | 0.6 kg (1.32 lb) |
| Shipping Box | 140x140x70 mm (5.51x5.51x2.76 in) |



Dedicated crossover network for Utility12 ([U12](#)) design



FBU128 8 Ω



FBU128 8 Ω

