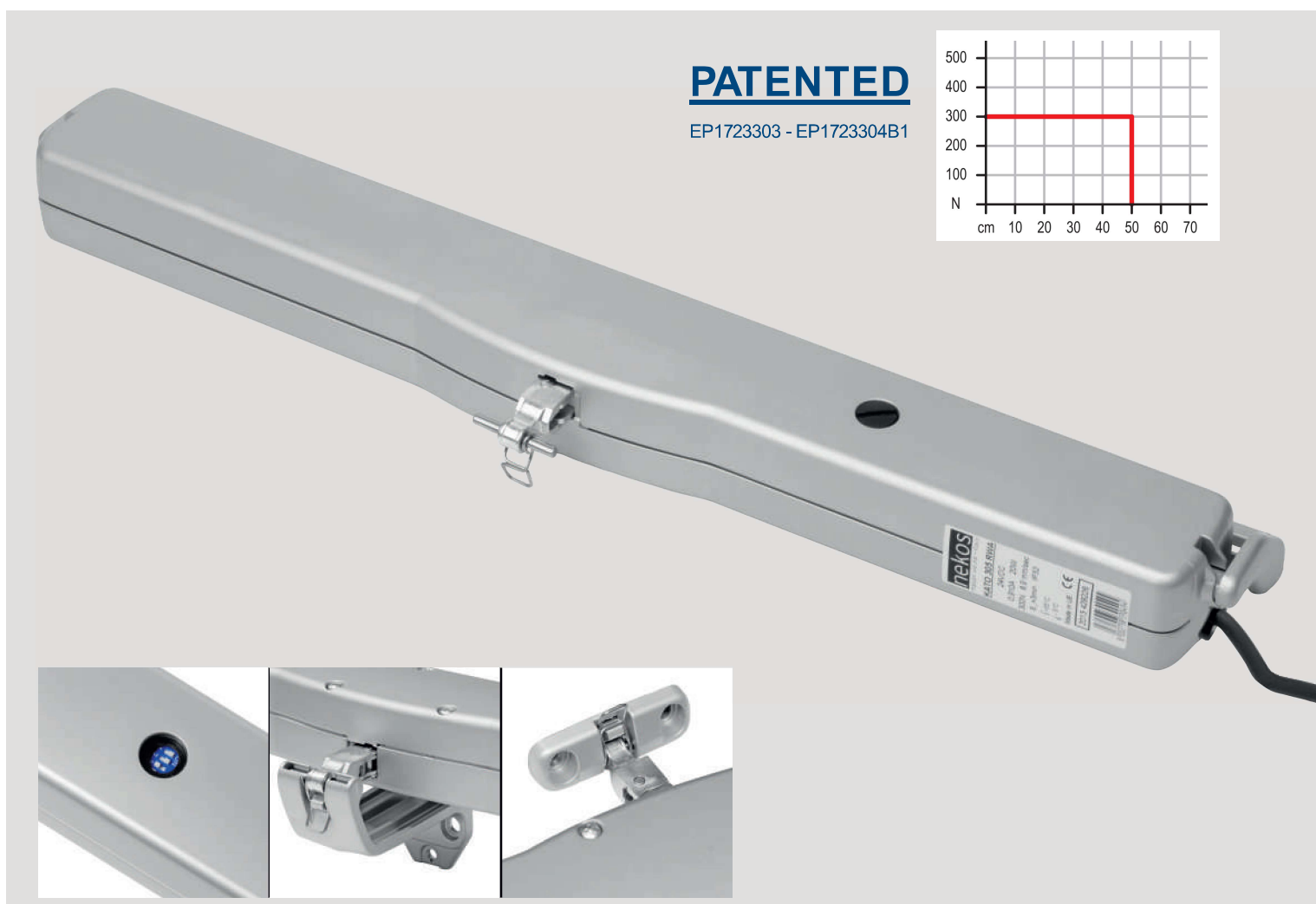


KATO305

Metal chain actuator 300N

The SHEV version of KATO 305 has passed the toughest heat and fire resistance tests indicated by standard EN 12101-2:2003-09, with flying colours, obtaining B 300 classification with certificate no. 13-000921 at the IFT testing institute in Rosenheim in 2013.

- KATO 305 actuators ensure safety, quality, efficiency, reliability and simplicity of construction, in an attractive design for incorporation into state-of-the-art windows.
- New electronic technology with a microprocessor for position control and management of all phases of operation. The body is made of die cast aluminium and the brackets are zinc alloy.
- Easy to install, thanks to quick-coupling installation on the support brackets and no need for screws or fixings (Nekos patented system); another Nekos patent is the quick release of the window for easy cleaning.
- Strokes can be selected through dip-switches.



APPLICATIONS

VASISTAS FRAME
OUTWARD FRAME
PIVOTING FRAME
DOMES
SKYLIGHTS
ROOF FRAME

TO BE USED WITH:

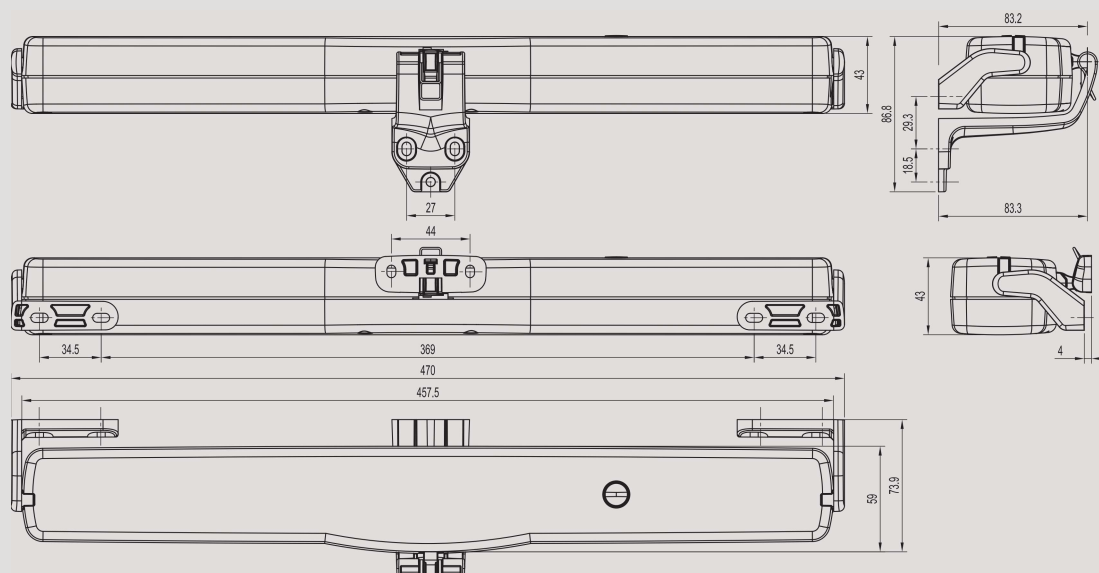
KATO305|SHEV 24V:
BK-LOCK
SERIE KL and KL-R
FV3 - FV6 CONTROL UNITS
MODIX 2/4/6

KATO305|SHEV
24V

KATO305
230V


TECHNICAL CHARACTERISTICS (Functional and mechanical features)

- Electric actuator with double-row four-link articulated chain enclosed in a sturdy aluminium housing, suitable for opening awning windows, hopper windows, dome rooflights and dormers. Thrust and traction power 300 N.
- Built to operate at 110-230V~ 50/60Hz voltage or, for SHEV systems, at 24V DC Safety ELV (SELV)-voltage, in accordance with European Standard EN12101-2.
- Electronic opening stroke-end with three strokes (200 - 300 - 500 mm), which can be selected at any time with dip switches; closing end-stroke with power absorption as protection against overload. Soft Stop and Relax Functions.
- Can be connected in parallel.
- Supplied complete with universal quick-coupling, screw-less pivoting support brackets (patented). Window brackets must be requested separately.
- Standard colours: Black (RAL9005) with black power cable, White (RAL9010) and Grey (RAL9006) with white cables. The 24V versions have a grey silicone cable.
- Complies with EU directives (EMC Directive, Low Voltage Directive).



MODEL	230V	SHEV 24V
Thrust and traction force	300 N	
Strokes	200, 300, 500 mm	
Syncro ³ synchronization	NO	
Power supply voltage	110-230V ~ 50/60 Hz	24V DC
Rated absorbed current	0,32-0,21 A	0,95 A
Power absorbed at nominal load	25-28 W	23 W
No load speed	9,2 mm/s	
Duration of no load stroke (500 mm)	54 s	
Electrical insulation	Class II	Class III
Type of service	2 cycles	5 cycles
Working temperature	-5°C - +65°C	
Protection index for electrical devices	IP32	

Soft Stop	YES
Relax function	YES
Adjustment of connection to window frame	Automatic definition of position
Connection in parallel	YES (max. 10)
Length of power cable	2 m
Stroke-end at opening	Electronic by dip-switch
Stroke-end at closing	At absorption of power
Protection against overload opening/closing	At absorption of power
Dimensions	456x60x43 mm
Weight	1,55 Kg

KATO305 230V:
SERIE KH and KH-R
RR2-M

CODE	MODEL
6031001	KATO 305 230V black
6031002	KATO 305 230V white
6031003	KATO 305 230V grey
6051001	KATO 305 SHEV 24V black
6051002	KATO 305 SHEV 24V white
6051003	KATO 305 SHEV 24V grey