



PRODUCT FEATURES EMB7300

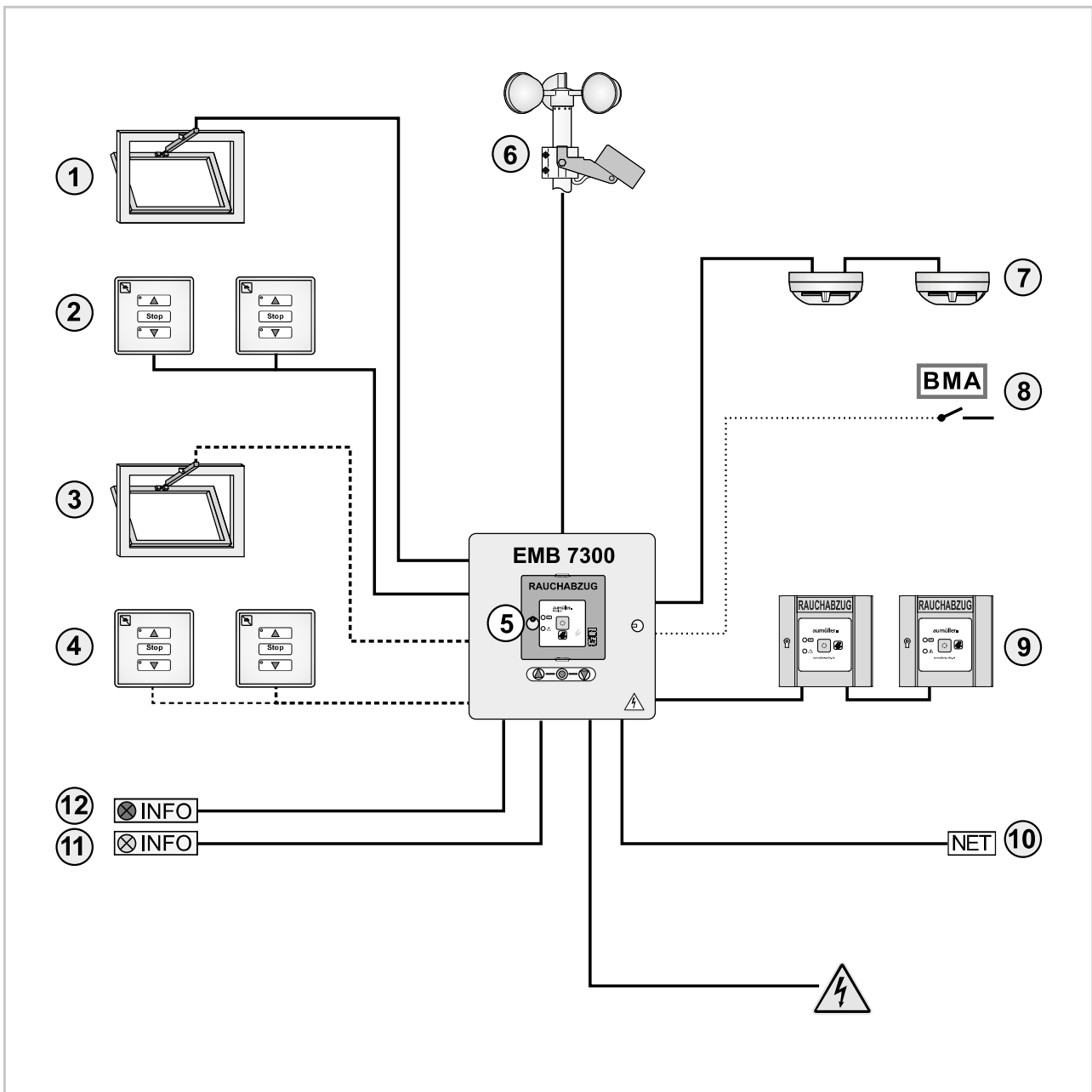
- Controls 24 V DC drives for smoke and heat exhaust in case of fire and for natural ventilation
- Control panel compliant with prEN 12101-9 / ISO 21927-9
- Power supply compliant with EN 12101-10
- Low ripple voltage output (< 2 Vpp) - compatible with all common drives
- 1 SHEV-Group output with 1 (optional 2) monitored ventilation line(s)
- Removable terminals for easy connection of signal lines
- Connection of electric motors, compressed gas generator and retention magnets
- 2 detector line inputs with line monitoring to connect:
 - Manual break-glass units (HSE)
 - Automatic smoke and heat detectors
- 1 Ventilation line input (optionally 2) with OPEN-STOP-CLOSE function
- 2 Plug-in-Module slots for signal monitoring and transduction (emergency open, fault)
- 1 Network port for connection and integration in building management systems (KNX)
- Direct connection input for wind and rain sensors
- Clear operating and display elements
- Extensive setting options of basic functions via „EMB compact“ software
- Housing (optional) with integrated break-glass unit and ventilation button (2,5 A / 5 A)
- Lead frame usable for flash mounting (2,5 A / 5 A)
- Cable entry from above, below or behind of the housing
- Prepared for connection of backup batteries (72 hours)
- VdS certification no.: G 514001

For this product series, a Type III Environmental Product Declaration (EPD) was issued according to ISO 14025 and EN 15804.

The LCA results of the different product types are listed at the end of this product catalogue.

The EPD documents can be viewed or downloaded from our homepage www.aumüller-gmbh.de.

SOFTWARE FUNCTIONS		
Functions	Standard	License
Set ventilation inputs from dead-man to jog-switch mode (in OPEN and/or CLOSE direction)	✓	✓
Set failures of drive line monitoring as alarm signal	✓	✓
Disable alarm function caused by failures of detector line monitoring	✓	✓
Adjust switching threshold of wind sensor	✓	✓
Set drive run time and opening stroke limit for ventilation purpose	✓	✓
Enable and set automatic time-controlled drive line closing mode for ventilation purpose		✓
Enable drive line closing mode on primary power loss	✓	✓
Set acoustic or optical warning signals (additional hardware required)		✓
Display, save and print the status of the system	✓	✓
Firmware update	✓	✓
Set emergency close button from jog-switch mode to dead-man mode	✓	✓
Set next service and maintenance date (password protected)		✓
Set switch-on delay time for wind sensor		✓
Set switch-off delay time for wind sensor		✓
Disable retriggering of drive lines in alarm mode		✓
Active / disable manual break-glass unit lines (HSE)		✓
Active / disable smoke detector lines		✓
Enable smoke detector line input to be controlled by fire alarm systems "FAS"		✓
Set automatic switch-off time for drive lines		✓
EMERGENCY-CLOSE button while the smoke detector is active / disable		✓
Set drive running direction in alarm mode from open to close		✓
Set options of relay card REL65 (not in package)		✓
Set alarm functions for faults caused by each individual drive line (only 2 drive line version)		✓
Reset switch positions to the status before the weather control were activated		✓
Integration into digital networks with additional Plug-in Interface-Modules (KNX)		✓
Function natural ventilation control unit		✓
Setting operatingmodus (retention magnet / standard drive / pressure gas)		✓
SHEV dead-man		✓
Ventilation push button setting parallel operation		✓
Maintenance timer adjust		✓
OPEN case of line failure		✓
Activate with Reset button EMERGENCY-CLOSE		✓
Configure Content collective fault		✓



CAPTION

- ① Output for drive line 1, 24 V DC for smoke and heat exhausting and natural ventilation
- ② Input for ventilation line 1 (max. 10 vent buttons)
- ③ Output for drive line 2 (only for EMB 7300 5 A – 0102; 10 A – 0102; 20 A – 0102)
- ④ Input for ventilation line 2 (max. 10 vent buttons) (only for EMB 7300 5 A – 0102; 10 A – 0102; 20 A – 0102)
- ⑤ Housing of control unit with or without integrated break-glass unit and ventilation button
- ⑥ Connections for wind and rain sensor (disabled in case of alarm and power loss)
- ⑦ Input for smoke detectors (max. 10)
- ⑧ Input for signal from external fire alarm system (alternative connection)
- ⑨ Input for break-glass units (HSE – max. 10)
- ⑩ Port for network integration (requires additional module)
- ⑪ Output for signal transduction 1 (Plug-in-Module REL65 required)
- ⑫ Output for signal transduction 2 (Plug-in-Module REL65 required)

----- only available for EMB 7300 5 A – 0102; 10 A – 0102; 20 A – 0102