

INKA356 | Metal chain actuator 350N

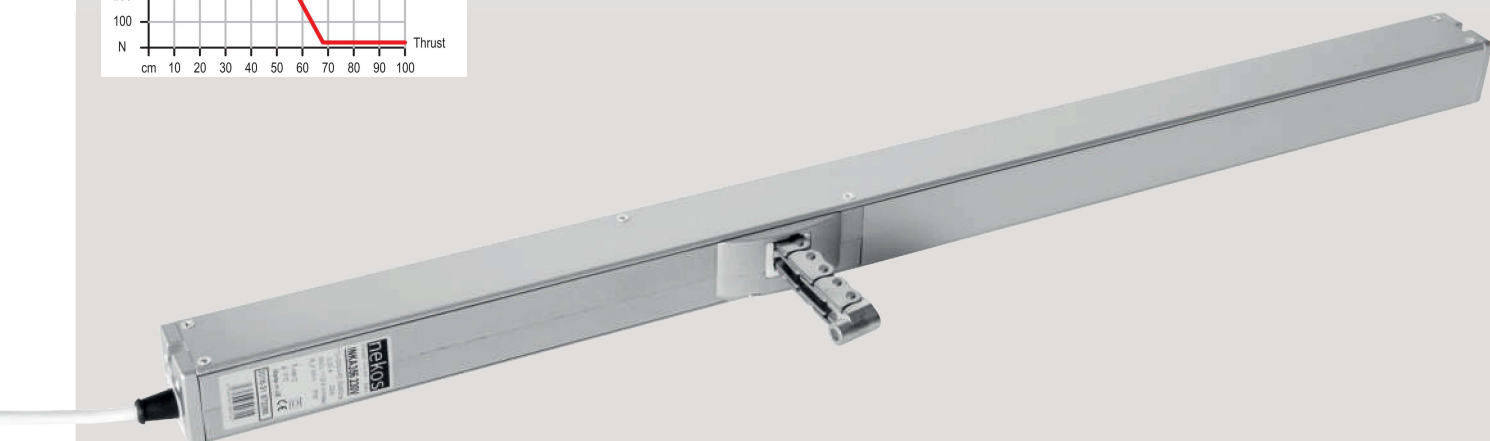
INKA 356 is a product that extends the offer in terms of power (350 N) and stroke range (from 100 to 1000 mm), while also adapting to all types of windows (awning windows, hopper windows, dome rooflights and dormers) and providing the possibility of flush mounting.

- The machine, enclosed in an aluminium housing, features an elegant design and compact dimensions (34.6x37 mm), allowing surface mounting with minimal visual impact, flush mounting and installation on curtain walls.
- Natural Smoke and Heat Extraction (N-SHE/SHEV): INKA 356 is made entirely of metal and has been certified up to a stroke of 600 mm in accordance with standard EN12101-2, for use in SHEV systems.
- Silent operation: only 41 dB, with no loss in power.
- Its sophisticated electronics and microprocessor allow easy integration into industrial and home automation systems and connection to other devices to transmit the window open/closed signal (optional function).
- The INKA 356 actuator combined with the K-LOCK electromechanical lock and perimeter fittings provides a reliable burglar-proof window system and high thermal insulation values thanks to perfect window closure.



PATENTED

EP1723303 - EP1723304B1
EP13156370



APPLICATIONS

VASISTAS FRAME
OUTWARD FRAME
PIVOTING FRAME
DOMES
SKYLIGHTS
ROOF FRAME

CODE	MODEL
6031050	Actuator INKA 356 230VAC - stroke 300
6031051	Actuator INKA 356 230VAC - stroke 600
6031052	Actuator INKA 356 230VAC - stroke 800
6031053	Actuator INKA 356 230VAC - stroke 1000
6051050	Actuator INKA 356 24VDC - stroke 300
6051051	Actuator INKA 356 24VDC - stroke 600
6051052	Actuator INKA 356 24VDC - stroke 800
6051053	Actuator INKA 356 24VDC - stroke 1000

INKA356|SHEV 24V
INKA356|SHEV Syncro³ 24V

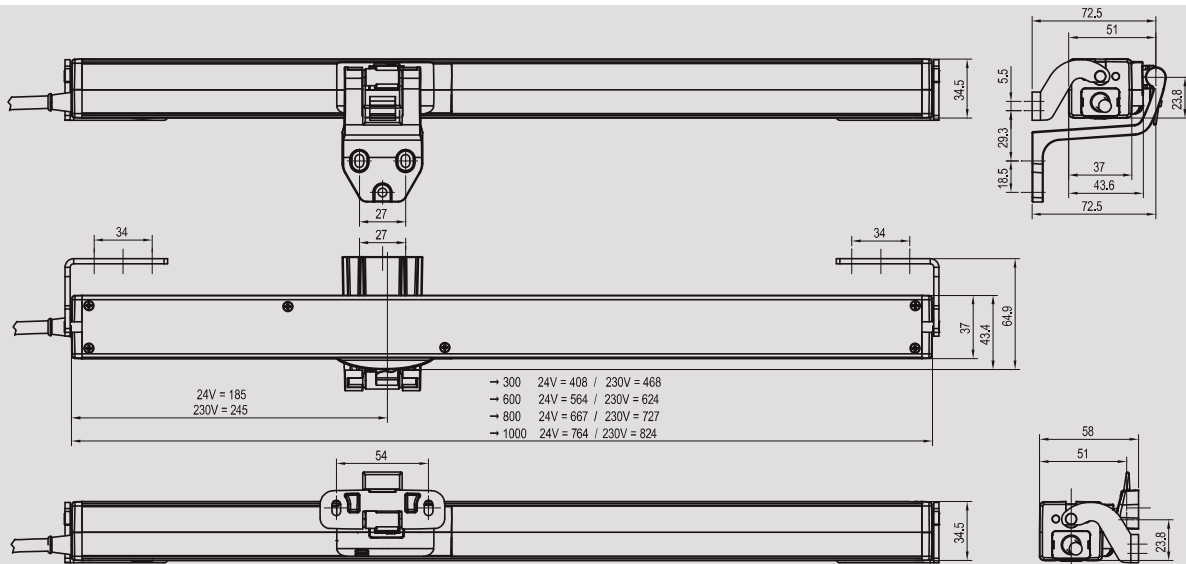


INKA356 230V
INKA356 Syncro³ 230V



TECHNICAL CHARACTERISTICS (Functional and mechanical features)

- Stainless steel double-row four-link articulated chain for greater durability and resistance to weather and corrosion.
- Power control over the entire stroke (stops in the event of overload). Progressive starting (Soft Start) and closing (Soft Stop).
- Stroke end: electronic stroke-end during opening, with a variable stroke that can be selected through dip-switches, self-adjustment of the closing position (with power absorption) and automatic overlap acquisition.
- Relax Function: release of tension in mechanical parts after each stroke-end generated by a stop for power absorption.
- Syncro³ technology (Nekos patent).
- Aluminium housing painted grey (RAL 9006) with a white power cable (230V version) or a grey power cable (24V version), screw-less quick-coupling metal (die cast aluminium) window support and connection brackets (Nekos patent).
- All mounting brackets must be requested separately.
- Complies with EU directives (EMC Directive, Low Voltage Directive).



MODEL	230V	SHEV 24V		
Thrust force	350 N		Type of service	2 cycles; SYNCRO ³ 5 cycles
Traction force	350 N (see force chart)		Working temperature	-10°C - +70°C
Strokes mm (selectable alternative strokes)	300 (100, 200)	-	Protection index for electrical devices	IP32
	600 (400, 500)	-	Soft Stop / Start	YES
	800 (600, 700)	-	Relax function	YES
	1000 (800, 900)	-	Adjustment of connection to window frame	Automatic definition of position
Syncro ³ synchronization	YES (max 8)		Length of power cable	2 m, SYNCRO ³ 2,5 m 2 m
Power supply voltage	110-230V ~ 50/60 Hz	24V DC	Stroke-end at opening	Electronic by dip-switch setting
Rated absorbed current	0,33-0,22 A (230V)	0,95 A	Stroke-end at closing	At absorption of power
Power absorbed at nominal load	27-29 W	23 W	Protection against overload	At absorption of power
No load/load speed	11 / 9,6 mm/s		Dimensions 230V (mm)	34,6x37 L= 468/624/727/824
Duration of max load stroke (Open)	300/600/800/1000		Dimensions SHEV 24V (mm)	34,6x37 L= 408/564/667/764
	= 28 / 54 / 72 / 90 s		Holding nominal force	1800 N
Duration of max load stroke (Close)	300/600/800/1000		Weight (Kg)	0,9/1,4/1,8/2,2 0,8/1,3/1,7/2,1
	= 36 / 67 / 88 / 109 s			
Electrical insulation	Class II	Class III		

TO BE USED WITH:

INKA356 24V:
 K-LOCK
 SERIE KL and KL-R
 MODIX 2/4/6
 MY-SUN1
 FV CONTROL UNITS

INKA356 230V:
 SERIE KH and KH-R
 RR2-M