

INIDENS

**GAS CONDENSING WALLHUNG BOILER
FROM 5.2 TO 32.4 KW**

OPTIMISED TECHNOLOGY
FOR THE BEST QUALITY/PRICE RATIO



DISCOVER A BOILER WITH OPTIMAL PERFORMANCE



Efficiency
at part load
> 109,9 %

Wide output
modulation range
**From 20
to 100 %**

low-NOx combustion
**< 32 mg
/kWh**

EASY TO USE

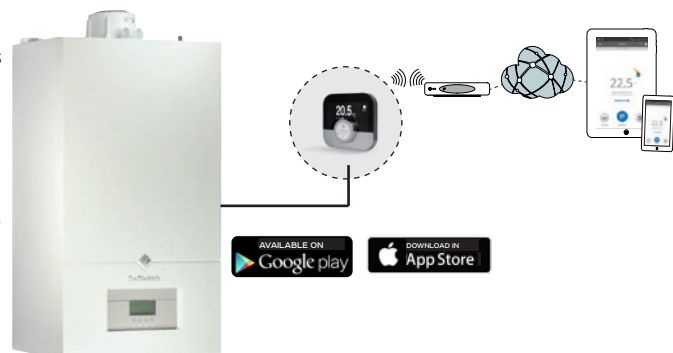
- **Digital control panel** with back-lighted LCD display
- **Easy to use thanks to dedicated** and independent push-buttons to set the domestic hot water and heating temperatures
- **The display shows all the information** and allows to set the functioning parameters clearly and simply.



COMPATIBLE WITH SMART TC° ROOM UNIT FOR MORE COMFORT AND SAVINGS

Thanks to its associated application you will be able to access the following functionalities:

- **remote management** of heating and domestic hot water,
- **Programming management according** to your needs,
- Precise temperature **control**,
- **Maintenance of your installation made easy** thanks to remote, secured, on demand access by your installer,
- **Malfunction alert** directly to your smartphone.





HIGH PERFORMANCE FROM 5.2 TO 32.5 KW



ENERGY

• efficiency at part load up to 109,9 %

- A-labelling (ETAS 94%) according to the eco-design directive, combining the boiler with a **SMART TC** room unit increases the system efficiency until **A+**.
- **Wide power modulation range** from 20 to 100 % to adapt output to heating and domestic hot water needs and to reduce boiler cycling. This allows higher efficiency for better comfort and energy savings.



ENVIRONMENTAL FRIENDLY

- Already suitable to work with a mixture of up to 20% of Hydrogen to allow reduction of carbon footprint.
- NOx Class 6 according to EN 15502-1 . < 32 mg/kWh.



COMFORT

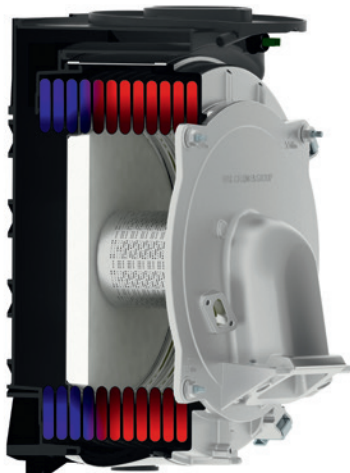
- Quiet operation- Sound power level <49 dB(A) at nominal output for 20/24 MI execution.

RELIABILITY AND STRENGTH



EFFICIENT MATERIALS

- Mono coil **Stainless steel heat exchanger**.
- **High-quality stainless steel** used, very tolerant of water quality and corrosion-resistant.
- Wide water passages to reduce the risk of scaling.
- **100% brass hydrobloc** for tried-and-tested reliability.
- High efficiency modulating pump with low electricity consumption.
- User friendly LCD control panel **with backlight and 4 push buttons**.
- **Digital water pressure display with refill notification**.



HIGH DOMESTIC HOT WATER COMFORT

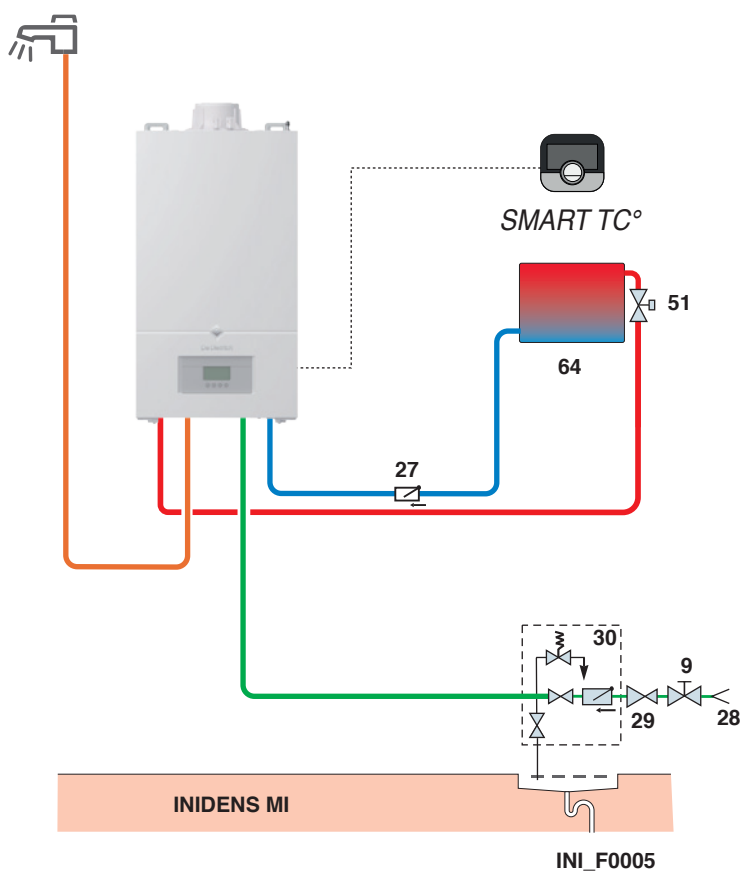
Plentiful pure domestic hot water at a stable temperature whenever you need it, that's Inidens :

- DHW flow sensor ensuring a high DHW quality.
- Combi version with a flow rate of **16.2 litres per minute*** maximum performance **with Inidens 30/35 MI**.
- Separate DHW tanks in 80 liters wall-hung or 130 liters floor-standing.
- **20 litres per minute***, thanks to a 130-litre DHW tank **with solo boiler**.
- **Pure water**: glass lined tanks in high quartz content enamel.
- **The tank's lifecycle is longer** thanks to the magnesium anode that provides protection against any corrosion.

*according to EN 13203.1



APPLICATION



One direct circuit to radiator, with instantaneous domestic hot water production and connected Smart TC room unit.

THE RIGHT CHOICE OF BOILER FOR REPLACEMENT OR NEW BUILDINGS

LIGHT AND COMPACT

Heating only or Combi, executions with 395 mm width, provide problem-free installation of boilers in any location.

.....

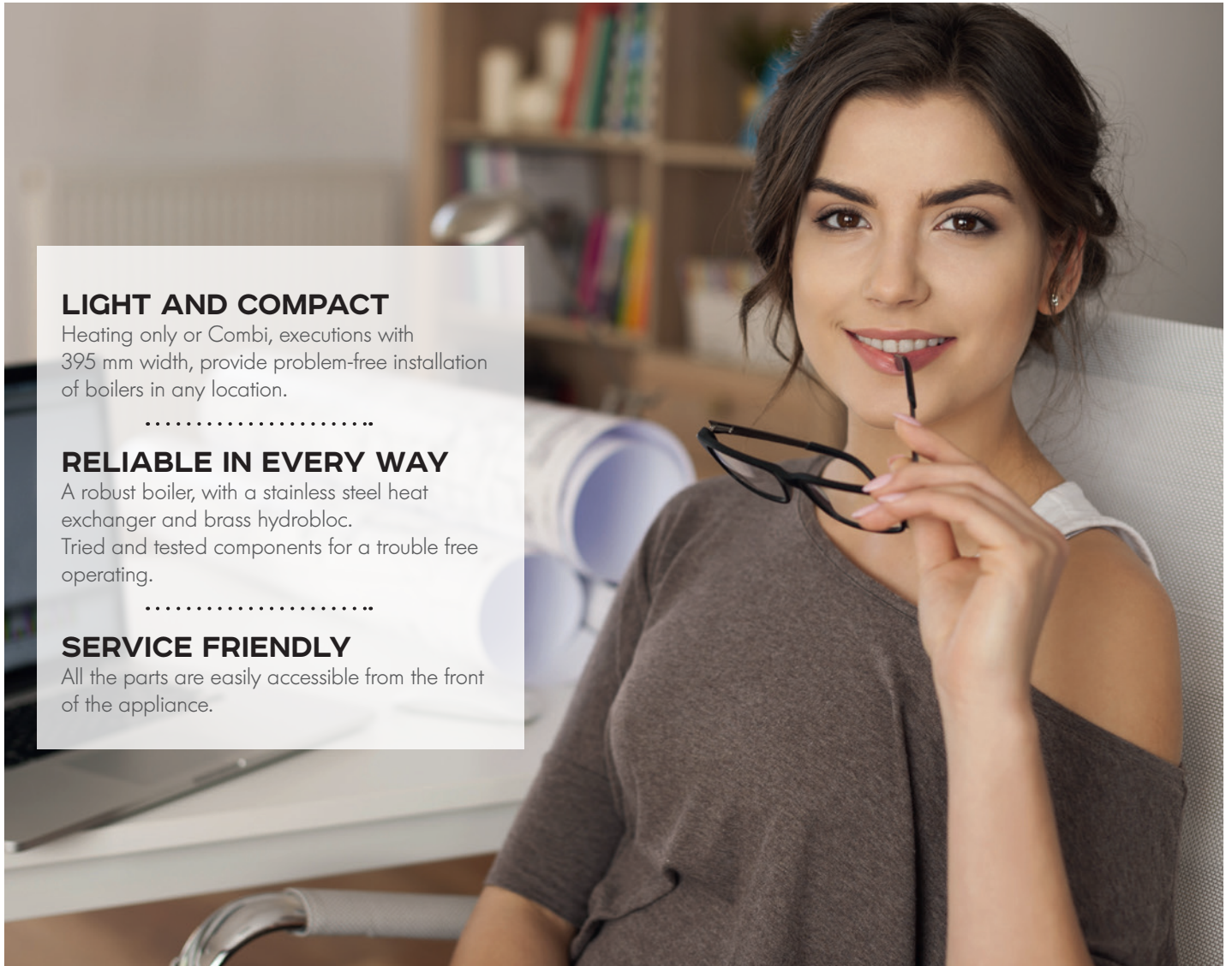
RELIABLE IN EVERY WAY

A robust boiler, with a stainless steel heat exchanger and brass hydrobloc. Tried and tested components for a trouble free operating.

.....

SERVICE FRIENDLY

All the parts are easily accessible from the front of the appliance.



FLEXIBLE INSTALLATION

Adapted for natural gas as well as propane
Plug & play technology with auto-detection.
Central Air/flue connections with baionet fixation.
Multiple flue gas solutions to easily match
the new generators with existing installation.
Integrated flue gas drawback valve for connection
to overpressure collective flue systems.



INIDENS

GAS CONDENSING WALLHUNG BOILER FROM 5.2 TO 32.5 KW
OPTIMISED TECHNOLOGY FOR THE BEST QUALITY/PRICE RATIO

<u>MODELS</u>	24	20/24 MI	24/28 MI	30/35 MI
Boiler	Heating only	Combi	Combi	Combi
Output range at 50/30°	6.3 - 26.1 kW	5.2 - 21.8 kW	6.3 - 26.1 kW	7.9 - 32.5 kW
Output <i>In hot water mode</i>	28 kW	24 kW	28 kW	34 kW
Specific flow rate in DHW at $\Delta T = 30K$ (EN 13203-1)	80 L calorifier: 16.2 L/min 130 L calorifier: 20 L/min	11.5 L/min	13.4 L/min	16.2 L/min
Dimensions W x H x D	395 x 700 x 285 mm	395 x 700 x 285 mm	395 x 700 x 285 mm	395 x 700 x 285 mm
Net weight	29 kg	28,5 kg	30 kg	30 kg



DE DIETRICH, A FRENCH QUALITY BRAND SINCE 1684

For 3 centuries, De Dietrich has based its success on real values: quality, reliability, sustainability. For the sake of the environment, and your comfort, De Dietrich has incorporated fully all the renewable energies available from multiple, planet-protecting sources. So heating appliances With the De Dietrich brand are at the cutting edge of innovation, made to exceptional standards of quality and durability through the involvement of the whole workforce since more than 300 years.

Your installer

De Dietrich



BDR THERMEA FRANCE
S.A.S. With corporate capital of €229 288 696
57, rue de la Gare – F - 67580
RCS STRASBOURG 833 457 211
www.dedietrich-heating.com

BDR THERMEA GROUP