



SEZ industrial sockets, plugs and connectors have been designed to connect electrical devices to low voltage electric energy in civil engineering, electric assembly sector, engineering industry, etc. Sockets and plugs are available in the following ranges:

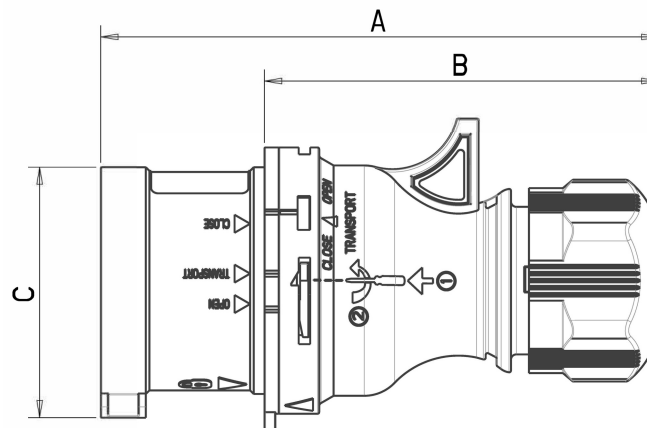
- nominal current: 16 A, 32 A, 63 A, 125 A
- nominal voltage: 110 V ~, 230 V ~, 400 V ~, 500 V ~
- nominal frequency: 50 Hz and 60 Hz
- degree of protection: IP 44, IP 54, IP 67
- number of poles: 3P (2P + PE), 4P (3P + PE), 5P (3P + N + PE)
- operating temperature: - 25 °C to + 55 °C
- halogen-free material in compliance with EN 60754-2

Our sockets, plugs and connectors are manufactured under the European standards EN 60309 – 1, 2 which comply with an international recommendation IEC 60309 – 1, 2.

Identification colour	red
Nominal current	32 A
Nominal voltage	400 V ~
Frequency	50/60 Hz
Degree of protection	IP44
No. of pole	3P + N + PE
Earth hour position	6 h
Connection system	screws
Flexible conductors	2,5 - 6 mm ²
Surface treatment contacts	passivated brass

Operating temperature	-25 °C to +55 °C
Glow wire test (GWT)	850 °C (active parts) 650 °C (passive parts)
Thermo-pressure with ball	125 °C (active parts) 80 °C (passive parts)
Insulation resistance	> 10 MΩ

Dimensional drawing



Amp	Poles	Ord. No.	(mm)			
			A	B	C	R
32	5	100017	150	105	70	11,0 - 20

R - sealing range

Technical symbols



screws



125 °C (active parts)
80 °C (passive parts)



-25 °C to +55 °C

GWT

850 °C (active parts)
650 °C (passive parts)

IP

IP44

Standards/Approvals

CE IEC 60309-1, - 2
STN EN 60309-1, - 2

SEZ DK a.s., M. R. Štefánika 1831/46
026 19 Dolný Kubín, Slovensko
 Tel.: +421 43 5809 226; +421 908 948 580

e-mail: sales@sez.sk
www.sez.sk
 Last update 2023/05

Data, measures, designs and pictures are shown as informative purposes only and could be changed without prior notice.