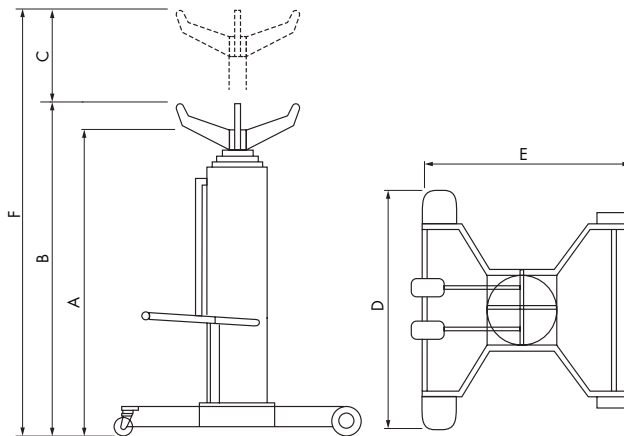
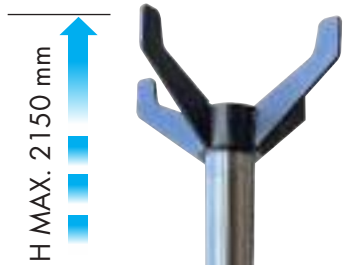


G HYDRAULIC TRANSMISSION JACKS TO REMOVE AND INSTALL ENGINE, GEARBOXES AND HEAVY PARTS OF THE HEAVY TRUCKS - 1 PISTON



| | TON | A | B | C | D | E | h max |
|---------------|-----|------|------|-----|-----|-----|-------|
| GO1457 | 15 | 1210 | 1320 | 940 | 600 | 750 | 2150 |



THESE PUMPS ARE WORKING WITH COMPRESSED AIR AT 7 TO 10 BAR PRESSURE, AND SUPPLIED WITH A SPECIFIC REMOTE CONTROL.

Man-present release lever

Work pedal

Retractable wheels under 900 kg load

Descent control knob

Overload valve

GO CODE **1457**
15 TON
1 with 1 pcs. 195 kg